

Catalogue
Chain Hoist



UP TO NOW, WE EXPORT MORE THAN **50** COUNTRIES

HEHAN ZOKE CRANE CO., LTD

EMAIL: sales@zokecrane.com

TEL: +86 373-3872-232

FAX: +86 373-5259-699

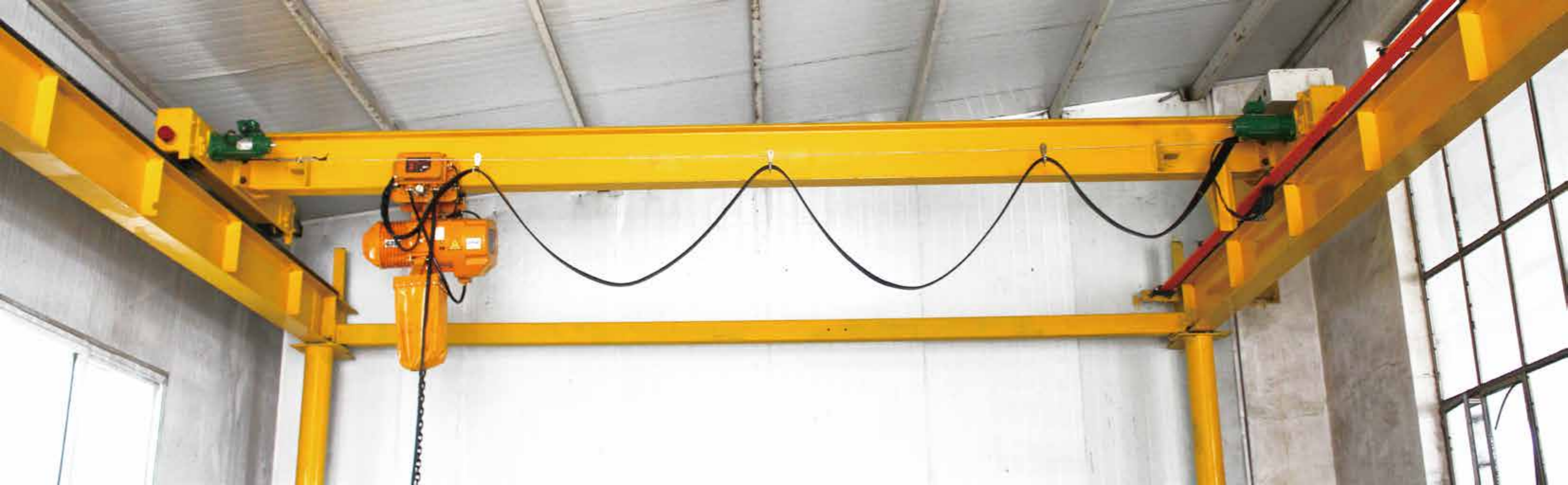
WEB: www.zoke-crane.com

www.zokecrane.com

ADDRESS: Changnao Industrial District, Xinxiang, Henan China

HEHAN ZOKE CRANE CO., LTD

www.zokecrane.com



ABOUT ZOKECRANE

Quality Is Our Top Priority

ZOKE CRANE is ISO9001-2008 registered. This means we actively monitor every part of our business, conducting monthly evaluations that cover everything from customer service to delivery times.

Technical Innovation Is Our Development Concept

ZOKE CRANE has been constantly carrying out technological innovation for many years, communicating and cooperating with internationally renowned enterprises, actively introducing high-tech, and pushing the ZOKE brand to the international market. Develop new products to meet the market demand for high-end products, market-oriented, based on integrity, take the road of technological innovation.

Service Is The Basis Of Our Survival

It is our aim to improve the production efficiency of customers. Customized and OEM accepted. We provide professional consultant, sales, design, production, installation and commissioning, maintenance for customers worldwide.

CONTENT

环链葫芦部件的技术细节.....	01
Technical Details Of Chain Hoist Components	
挂钩式环链葫芦.....	03
Fixed Type Chain Hoist	
电动小车运行式环链葫芦.....	06
Electric Trolley Type Chain Hoist	
手动小车运行式环链葫芦.....	11
Manual Trolley Type Chain Hoist	
低净空环链葫芦.....	13
Low Head Room Electric Chain Hoist	
跑车.....	17
Trolley	
防爆环链葫芦.....	19
Explosion Proof Chain Hoist	
其他环链葫芦	25
Other Type Chain Hoist	

环链葫芦部件的技术细节

Technical Details Of Chain Hoist Components



① 旁磁式刹车：最新设计的磁力产生器，其特性为产磁。可在电源切断的同时刹车，保证吊重时刹车绝对确保安全。

Side magnetic braking device: The magnetic generator is the latest design which is featured for generating magnetic force. It allows instant brake as soon as the electric power is cut off. The braking safety is guaranteed while loading.

⑤ 变压器：24v/36v变压装置。操作时万一漏电，可防止意外事故发生，下雨时，可保证安全使用。

Transformer: 24v/36v transformer device. This device is used to prohibit unexpected accidents caused by electric leakage and guarantees the safe use while raining.

⑨ 吊钩：经热锻造，强度绝佳，不易断裂。下吊钩可360°旋转，带安全舌片，确保操作安全。

Hook: It is hot forging with perfect strength that is hard to break. The operation safety of the lower hook is ensured by its rotation with 360 degree and safety latch.

② 外壳：铝合金外壳，坚实而质轻。有特殊散热片，散热快，可持续使用，效率达40%，整体密闭式结构，可使用在化工厂，电镀厂等地方。

Shell: It is made of light aluminum alloy shell, light but hard. The cooling fin is especially designed to ensure quick heat dissipation with the rate up to 40% and continuous service. The integral enclosed structure is applicable to places like chemical plant and electroplate factory.

⑥ 电磁接触器：高效率电磁接触器，可高频使用，没有问题。

Electromagnetic contactor: Electromagnetic contactor can be used safely under high frequency.

⑩ 按钮开关：使用防水按钮开关，轻便耐用。

Control button: Waterproof push button is applied. It is light and durable.

③ 支撑架：吊重支撑架是由两片钢板组合，非常坚固。

Support frame: The loading support frame consists of two steel plates, which is extremely sturdy.

⑦ 极限开关：吊上吊下都有极限开关装置，使自动停止，防止链条超出，确保安全。

Limit switch: The limit switch device is installed where the weight is lifted on and off to make the motor to stop automatically so as to prohibit the chains from exceeding for safety.

④ 逆相保护装置：特殊电气装置，当店员接线错误时，控制电路无法动作。

Inverse phases sequence protection device: It is the special electrical installation which controls the circuit not to work in case of wiring fault in the power supply.

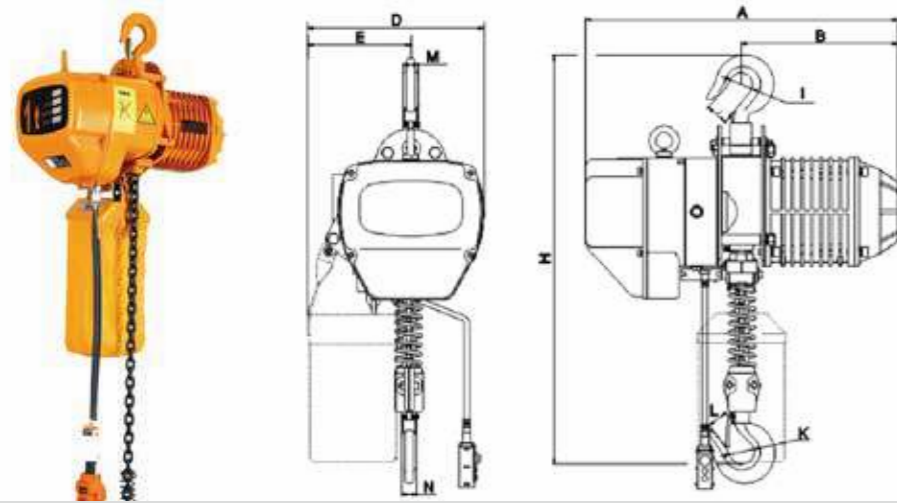
⑧ 链条：采用G80超级加热处理合金钢链条。在雨水，海水，化学品及其他恶劣状况下使用安全无虑。

Chain: The chain shall adopt the G80 ultra heat-treatable aluminum alloy chain. It can be safely used in poor environments such as rain, sea water and chemicals.

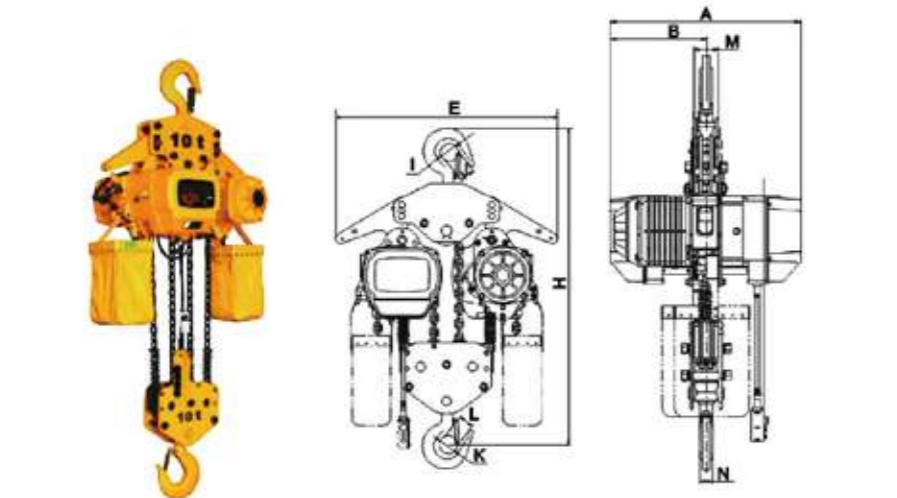
标准配件：链条袋、控制电缆、手柄按钮。
Standard accessories: chain bag, control cable, control button.

挂钩式环链葫芦

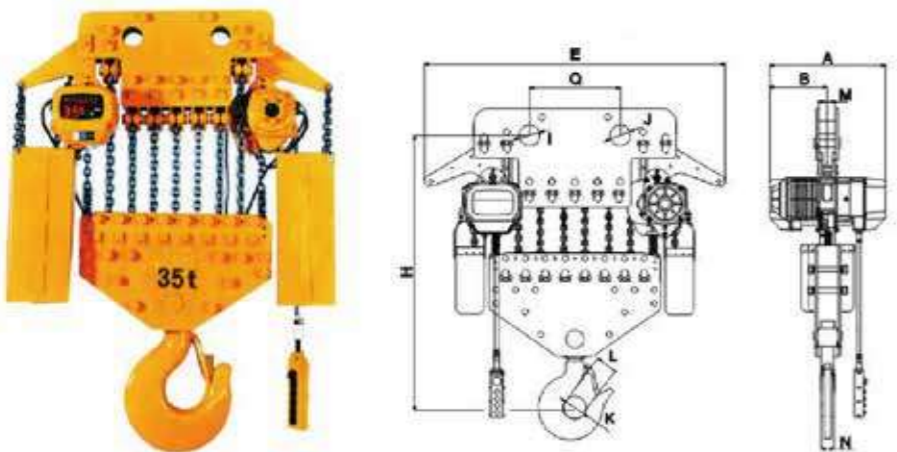
Fixed Type Chain Hoist



Fixed Type Chain Hoist 0.5t-5t



Fixed Type Chain Hoist 10t



Fixed Type Chain Hoist 30t-35t

技术参数 Technical Parameter

Model	Capacity (t)	Min Lift Height (m)	Lift Spee (m/min)	Power (kw)	Lift Motor		Voltage (V)	Frequency (HZ)	Chain Falls	Chain Diameter (mm)	Test load (t)	Weight (kg)	Weight Added with 1m Higher (kg)
					Rotation Speed (r/min)	Phase							
ZKH-00501SF	0.5	3	6.8	0.75	1440	3	200-440	50/60	1	6.3	0.625	47	0.81
ZKH-01001SF	1	3	6.6	1.5	1440	3	200-440	50/60	1	7.1	1.25	61	1.1
ZKH-01002SF	1	3	3.4	0.75	1440	3	200-440	50/60	2	6.3	1.25	52	1.62
ZKH-01501SF	1.5	3	8.8	3	1440	3	200-440	50/60	1	10	1.875	108	2.3
ZKH-02001SF	2	3	6.6	3	1440	3	200-440	50/60	1	10	2.5	115	2.3
ZKH-02002SF	2	3	3.3	1.5	1440	3	200-440	50/60	2	7.1	2.5	73	2.2
ZKH-02501SF	2.5	3	5.4	3	1440	3	200-440	50/60	1	11.2	3.125	116	2.8
ZKH-03001SF	3	3	5.4	3	1440	3	200-440	50/60	1	11.2	3.75	122	2.8
ZKH-03002SF	3	3	4.4	3	1440	3	200-440	50/60	2	10	3.75	131	4.7
ZKH-05002SF	5	3	2.7	3	1440	3	200-440	50/60	2	11.2	6.25	151	5.6
ZKH-10004SF	10	3	2.7	3	1440	3	200-440	50/60	4	11.2	12.5	300	8.4
ZKH-30012SF	30	3	0.9	3*2	1440	3	200-440	50/60	12	11.2	37.5	1050	31
ZKH-35016SF	35	3	0.7	3*2	1440	3	200-440	50/60	16	11.2	43.75	1250	44.8

Above Table Is For Single Lift Speed.

Model	Capacity (t)	Min Lift Height (m)	Lift Spee (m/min)	Power (kw)	Lift Motor		Voltage (V)	Frequency (HZ)	Chain Falls	Chain Diameter (mm)	Test load (t)	Weight (kg)	Weight Added with 1m Higher (kg)
					Rotation Speed (r/min)	Phase							
ZKH-00501DF	0.5	3	6.9/2.3	0.8/0.27	2890/980	3	200-440	50/60	1	6.3	0.625	47	0.81
ZKH-01001DF	1	3	6.9/2.3	1.8/0.6	2890/980	3	200-440	50/60	1	7.1	1.25	61	1.1
ZKH-01002DF	1	3	3.5/1.2	0.8/0.27	2890/980	3	200-440	50/60	2	6.3	1.25	52	1.62
ZKH-01501DF	1.5	3	8.9/2.9	3/1	2890/980	3	200-440	50/60	1	10	1.875	108	2.3
ZKH-02001DF	2	3	6.8/2.3	3/1	2890/980	3	200-440	50/60	1	10	2.5	115	2.3
ZKH-02002DF	2	3	3.3/1.1	1.8/0.6	2890/980	3	200-440	50/60	2	7.1	2.5	73	2.2
ZKH-02501DF	2.5	3	5.4/1.8	3/1	2890/980	3	200-440	50/60	1	11.2	3.125	116	2.8
ZKH-03001DF	3	3	5.4/1.8	3/1	2890/980	3	200-440	50/60	1	11.2	3.75	122	2.8
ZKH-03002DF	3	3	4.5/1.5	3/1	2890/980	3	200-440	50/60	2	10	3.75	131	4.7
ZKH-05002DF	5	3	2.7/0.9	3/1	2890/980	3	200-440	50/60	2	11.2	6.25	151	5.6
ZKH-10004DF	10	3	2.7/0.9	3*2/1*2	2890/980	3	200-440	50/60	4	11.2	12.5	300	8.4
ZKH-30012DF	30	3	3/1	3*2/1*2	2890/980	3	200-440	50/60	12	11.2	37.5	1100	31
ZKH-35016DF	35	3	0.7/0.25	3*2/1*2	2890/980	3	200-440	50/60	16	11.2	43.75	1310	44.8

Above Table Is For Double Lift Speed.

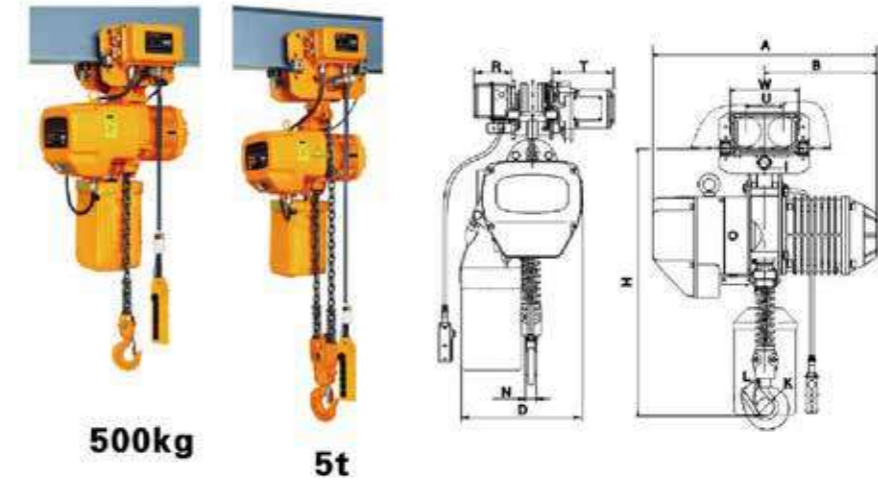
Model	H	A	B	D	E	I	J	K	L	M	N	Q
ZKH-00501SF	550	460	230	280	160	φ35	25	φ35	25	17	17	/
ZKH-01001SF	650	520	260	300	176	φ40	31	φ40	31	22	22	/
ZKH-01002SF	670	460	230	280	205	φ40	31	φ40	31	22	22	/
ZKH-01501SF	800	615	295	430	265	φ47	40	φ47	38	30	30	/
ZKH-02001SF	800	615	295	430	265	φ47	40	φ47	38	30	30	/
ZKH-02002SF	835	520	260	300	236	φ47	38	φ47	38	30	30	/
ZKH-02501SF	845	615	295	430	265	φ58	47	φ58	47	36	36	/
ZKH-03001SF	845	615	295	430	265	φ58	47	φ58	47	36	36	/
ZKH-03002SF	950	615	295	430	320	φ58	47	φ58	47	36	36	/
ZKH-05002SF	1030	615	295	430	325	φ60	48	φ60	48	43	43	/
ZKH-10004SF	1400	630	315	/	890	φ85	80	φ80	80	104	55	/
ZKH-30012SF	1640	740	315	/	1300	φ100	100	φ140	95	217	130	440
ZKH-35016SF	1790	740	315	/	1500	φ100	100	φ200	140	217	150	440

All Unit Is mm; Above Table Is For Single Lift Speed.

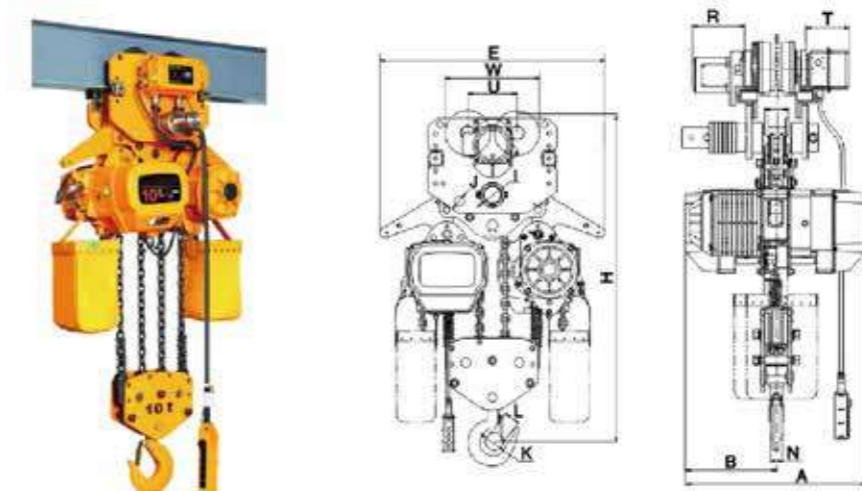
Model	H	A	B	D	E	I	J	K	L	M	N	Q
ZKH-00501DF	550	545	260	280	160	φ35	28	φ35	25	17	17	/
ZKH-01001DF	650	582	280	300	176	φ40	31	φ40	31	22	22	/
ZKH-01002DF	670	545	260	280	205	φ40	31	φ40	31	22	22	/
ZKH-01501DF	800	670	313	430	265	φ47	40	φ47	38	30	30	/
ZKH-02001DF	800	670	313	430	265	φ47	40	φ47	38	30	30	/
ZKH-02002DF	835	582	280	300	236	φ47	38	φ47	38	30	30	/
ZKH-02501DF	845	670	313	430	265	φ58	47	φ58	47	36	36	/
ZKH-03001DF	845	670	313	430	265	φ58	47	φ58	47	36	36	/
ZKH-03002DF	950	670	313	430	320	φ58	47	φ58	47	36	36	/
ZKH-05002DF	1030	670	313	430	325	φ60	48	φ60	48	43	43	/
ZKH-10004DF	1400	685	352	/	890	φ85	80	φ85	80	104	55	/
ZKH-30012DF	1640	795	352	/	1300	φ100	100	φ140	95	217	130	440
ZKH-35016DF	1790	795	352	/	1500	φ100	100	φ200	140	217	150	440

All Unit Is mm; Above Table Is For Double Lift Speed.

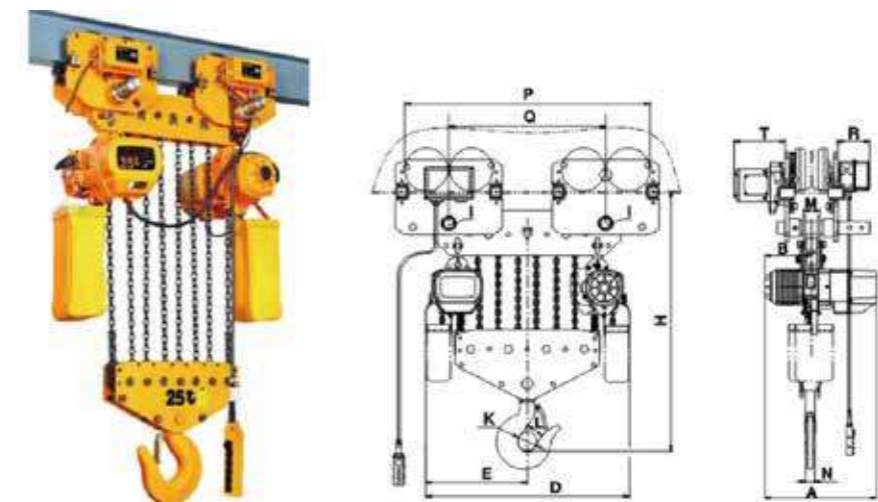
电动小车运行式环链葫芦
Electric Trolley Type Chain Hoist



Electric Trolley Type Chain Hoist 0.5t-5t



Electric Trolley Type Chain Hoist 10t



Electric Trolley Type Chain Hoist 15t-25t

技术参数 Technical Parameter

Model	Capacity (t)	Min Lift Height (m)	Lift Spee (m/min)	Lift Motor					Trolley Motor					Chain Falls	Chain Diameter (mm)	Test load (t)	Beam width (mm)	Weight (kg)	Weight Added with 1m Higher (kg)	
				Power (kw)	Rotation Speed (r/min)	Phase	Voltage (V)	Frequency (HZ)	Power (kw)	Rotation Speed (r/min)	Trolley Speed (m/min)	Phase	Voltage (V)							Frequency (HZ)
ZKH-00501SE	0.5	3	6.8	0.75	1440	3	200-440	50/60	0.4	1440	11/21	3	200-440	50/60	1	6.1	0.625	58-153	89	0.81
ZKH-01001SE	1	3	6.6	1.5	1440	3	200-440	50/60	0.4	1440	11/21	3	200-440	50/60	1	7.1	1.25	58-153	103	1.1
ZKH-01002SE	1	3	3.4	0.75	1440	3	200-440	50/60	0.4	1440	11/21	3	200-440	50/60	2	6.3	1.25	58-153	101	1.62
ZKH-01501SE	1.5	3	8.8	3	1440	3	200-440	50/60	0.4	1440	11/21	3	200-440	50/60	1	10	1.875	82-178	157	2.3
ZKH-02001SE	2	3	6.6	3	1440	3	200-440	50/60	0.4	1440	11/21	3	200-440	50/60	1	10	2.5	82-178	164	2.3
ZKH-02002SE	2	3	3.3	1.5	1440	3	200-440	50/60	0.4	1440	11/21	3	200-440	50/60	2	7.1	2.5	82-178	122	2.2
ZKH-02501SE	2.5	3	5.4	3	1440	3	200-440	50/60	0.75	1440	11/21	3	200-440	50/60	1	11.2	3.125	100-178	177	2.8
ZKH-03001SE	3	3	5.4	3	1440	3	200-440	50/60	0.75	1440	11/21	3	200-440	50/60	1	11.2	3.75	100-178	183	2.8
ZKH-03002SE	3	3	4.4	3	1440	3	200-440	50/60	0.75	1440	11/21	3	200-440	50/60	2	10	3.75	100-178	192	4.7
ZKH-03003SE	3	3	2.2	1.5	1440	3	200-440	50/60	0.75	1440	11/21	3	200-440	50/60	3	7.1	3.75	100-178	146	3.5
ZKH-05002SE	5	3	2.7	3	1440	3	200-440	50/60	0.75	1440	11/21	3	200-440	50/60	2	11.2	6.25	100-178	234	5.6
ZKH-07503SE	7.5	3	1.8	3	1440	3	200-440	50/60	0.75	1440	11/21	3	200-440	50/60	3	11.2	9.4	100-178	266	8.4
ZKH-15006SE	15	3	1.8	3*2	1440	3	200-440	50/60	0.75*2	1440	11/21	3	200-440	50/60	6	11.2	18.75	150-220	400	17
ZKH-20008SE	20	3	1.4	3*2	1440	3	200-440	50/60	0.75*2	1440	11/21	3	200-440	50/60	8	11.2	25	150-220	480	22
ZKH-25010SE	25	3	1.1	3*2	1440	3	200-440	50/60	0.75*2	1440	11/21	3	200-440	50/60	10	11.2	31.25	150-220	540	28

Above Table Is For Single Lift Speed.

Model	Capacity (t)	Min Lift Height (m)	Lift Spee (m/min)	Lift Motor					Trolley Motor					Chain Falls	Chain Diameter (mm)	Test load (t)	Beam width (mm)	Weight (kg)	Weight Added with 1m Higher (kg)	
				Power (kw)	Rotation Speed (r/min)	Phase	Voltage (V)	Frequency (HZ)	Power (kw)	Rotation Speed (r/min)	Trolley Speed (m/min)	Phase	Voltage (V)							Frequency (HZ)
ZKH-00501DE	0.5	3	6.9/2.3	0.8/0.27	2890/980	3	200-440	50/60	0.4	1440	11/21	3	200-440	50/60	1	6.1	0.625	58-153	89	0.81
ZKH-01001DE	1	3	6.9/2.3	1.8/0.6	2890/980	3	200-440	50/60	0.4	1440	11/21	3	200-440	50/60	1	7.1	1.25	58-153	116	1.1
ZKH-01002DE	1	3	3.5/1.2	0.8/0.27	2890/980	3	200-440	50/60	0.4	1440	11/21	3	200-440	50/60	2	6.3	1.25	58-153	101	1.62
ZKH-01501DE	1.5	3	8.9/2.9	3/1	2890/980	3	200-440	50/60	0.4	1440	11/21	3	200-440	50/60	1	10	1.875	82-178	193	2.3
ZKH-02001DE	2	3	6.8/2.3	3/1	2890/980	3	200-440	50/60	0.4	1440	11/21	3	200-440	50/60	1	10	2.5	82-178	199	2.3
ZKH-02002DE	2	3	3.3/1.1	1.8/0.6	2890/980	3	200-440	50/60	0.4	1440	11/21	3	200-440	50/60	2	7.1	2.5	82-178	135	2.2
ZKH-02501DE	2.5	3	5.4/1.8	3/1	2890/980	3	200-440	50/60	0.75	1440	11/21	3	200-440	50/60	1	11.2	3.125	100-178	209	2.8
ZKH-03001DE	3	3	5.4/1.8	3/1	2890/980	3	200-440	50/60	0.75	1440	11/21	3	200-440	50/60	1	11.2	3.75	100-178	220	2.8
ZKH-03002DE	3	3	4.5/1.5	3/1	2890/980	3	200-440	50/60	0.75	1440	11/21	3	200-440	50/60	2	10	3.75	100-178	229	4.7
ZKH-03003DE	3	3	2.4/0.8	1.8/0.6	2890/980	3	200-440	50/60	0.75	1440	11/21	3	200-440	50/60	3	7.1	3.75	100-178	163	3.5
ZKH-05002DE	5	3	2.7/0.9	3/1	2890/980	3	200-440	50/60	0.75	1440	11/21	3	200-440	50/60	2	11.2	6.25	100-178	267	5.6
ZKH-07503DE	7.5	3	1.8/0.6	3/1	2890/980	3	200-440	50/60	0.75	1440	11/21	3	200-440	50/60	3	11.2	9.4	100-178	305	8.4
ZKH-15006DE	15	3	1.8/0.8	3*2/1*2	2890/980	3	200-440	50/60	0.75*2	1440	11/21	3	200-440	50/60	6	11.2	18.75	150-220	480	17
ZKH-20008DE	20	3	1.5/0.6	3*2/1*2	2890/980	3	200-440	50/60	0.75*2	1440	11/21	3	200-440	50/60	8	11.2	25	150-220	560	22
ZKH-25010DE	25	3	1.2/0.4	3*2/1*2	2890/980	3	200-440	50/60	0.75*2	1440	11/21	3	200-440	50/60	10	11.2	31.25	150-220	620	28

Above Table Is For Double Lift Speed.

技术参数 Technical Parameter

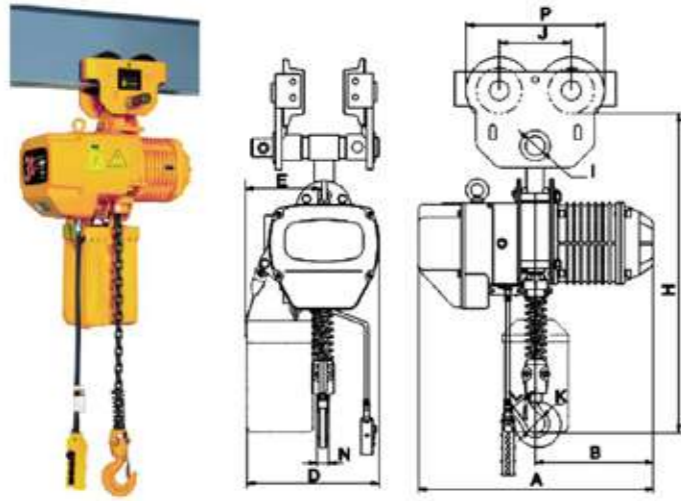
Model	H	A	B	D	E	I	K	L	N	W	U	R	T	J	M	P	Q
ZKH-00501SE	630	460	230	280	160	φ 35	φ 35	25	17	206	111	142	231	/	/	/	/
ZKH-01001SE	650	520	260	300	176	φ 40	φ 40	32	24	206	111	142	231	/	/	/	/
ZKH-01002SE	695	460	230	280	205	φ 41	φ 40	31	24	206	111	142	231	/	/	/	/
ZKH-01501SE	770	615	295	430	265	φ 47	φ 47	40	30	237	127	142	231	/	/	/	/
ZKH-02001SE	770	615	295	430	265	φ 47	φ 47	40	30	237	127	142	231	/	/	/	/
ZKH-02002SE	815	520	260	300	236	φ 36	φ 47	38	30	237	127	142	231	/	/	/	/
ZKH-02501SE	830	615	295	430	265	φ 58	φ 58	48	36	265	140	142	231	/	/	/	/
ZKH-03001SE	830	615	295	430	265	φ 58	φ 58	48	36	265	140	142	231	/	/	/	/
ZKH-03002SE	930	615	295	430	320	φ 43	φ 58	47	36	265	140	142	231	/	/	/	/
ZKH-03003SE	940	520	260	350	205	φ 43	φ 58	47	36	265	140	142	231	/	/	/	/
ZKH-05002SE	1015	615	295	430	325	φ 54	φ 60	48	43	296	156	142	231	/	/	/	/
ZKH-07503SE	1200	615	295	505	320	φ 54	φ 85	80	55	295	156	142	231	φ 31	85	/	/
ZKH-15006SE	1310	630	315	1070	535	φ 54	φ 120	96	78	/	/	142	231	φ 54	88	926	560
ZKH-20008SE	1470	630	315	1260	630	φ 70	φ 150	115	98	/	/	142	231	φ 70	88	1106	740
ZKH-25010SE	1580	630	315	1260	725	φ 70	φ 150	115	95	/	/	142	231	φ 70	88	1280	830

All Unit Is mm; Above Table Is For Single Lift Speed.

Model	H	A	B	D	E	I	K	L	N	W	U	R	T	J	M	P	Q
ZKH-00501DE	630	545	260	280	160	φ 35	φ 35	25	17	206	111	142	231	/	/	/	/
ZKH-01001DE	650	582	280	300	176	φ 40	φ 40	32	24	206	111	142	231	/	/	/	/
ZKH-01002DE	695	545	260	280	205	φ 41	φ 40	31	24	206	111	142	231	/	/	/	/
ZKH-01501DE	770	670	313	430	265	φ 47	φ 47	40	30	237	127	142	231	/	/	/	/
ZKH-02001DE	770	670	313	430	265	φ 47	φ 47	40	30	237	127	142	231	/	/	/	/
ZKH-02002DE	815	582	280	300	236	φ 36	φ 47	38	30	237	127	142	231	/	/	/	/
ZKH-02501DE	830	670	313	430	265	φ 58	φ 58	48	36	265	140	142	231	/	/	/	/
ZKH-03001DE	830	670	313	430	265	φ 58	φ 58	48	36	265	140	142	231	/	/	/	/
ZKH-03002DE	930	670	313	430	320	φ 43	φ 58	47	36	265	140	142	231	/	/	/	/
ZKH-03003DE	940	582	280	350	205	φ 43	φ 58	47	36	265	140	142	231	/	/	/	/
ZKH-05002DE	1015	670	313	430	325	φ 54	φ 60	48	43	296	156	142	231	/	/	/	/
ZKH-07503DE	1200	670	313	505	320	φ 54	φ 85	80	55	295	156	142	231	φ 31	85	/	/
ZKH-15006DE	1310	685	352	1070	535	φ 54	φ 120	96	78	/	/	142	231	φ 54	88	926	560
ZKH-20008DE	1470	685	352	1260	630	φ 70	φ 150	115	98	/	/	142	231	φ 70	88	1106	740
ZKH-25010DE	1580	685	352	1260	725	φ 70	φ 150	115	95	/	/	142	231	φ 70	88	1280	830

All Unit Is mm; Above Table Is For Double Lift Speed.

手动小车运行式环链葫芦
Manual Trolley Type Chain Hoist



Manual Trolley Type Chain Hoist 0.5t-5t

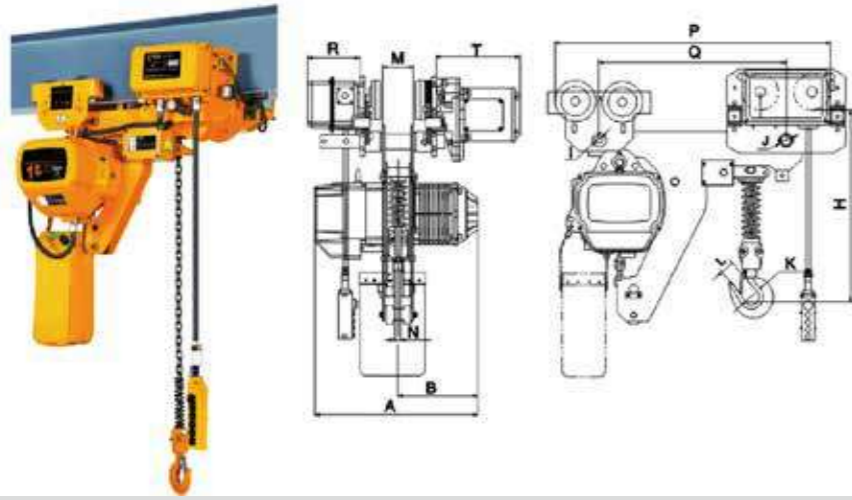
技术参数 Technical Parameter

Model	Capacity (t)	Min Lift Height (m)	Lift Spee (m/min)	Power (kw)	Lift Motor			Voltage (V)	Frequency (HZ)	Chain Falls	Chain Diameter (mm)	Test load (t)	Beam Width (mm)	Weight (kg)	Weight Added with 1m Higher (kg)
					Rotation Speed (r/min)	Phase									
ZKH-00501SM	0.5	3	6.8	0.75	1440	3	200-440	50/60	1	6.3	0.625	68-130	53	0.81	
ZKH-01001SM	1	3	6.6	1.5	1440	3	200-440	50/60	1	7.1	1.25	68-130	67	1.1	
ZKH-01002SM	1	3	3.4	0.75	1440	3	200-440	50/60	1	7.1	1.25	68-130	67	1.1	
ZKH-01501SM	1.5	3	8.8	3	1440	3	200-440	50/60	1	10	1.875	82-153	118	2.3	
ZKH-02001SM	2	3	6.6	3	1440	3	200-440	50/60	1	10	2.5	82-153	125	2.3	
ZKH-02002SM	2	3	3.3	1.5	1440	3	200-440	50/60	1	7.1	2.5	82-153	83	2.3	
ZKH-02501SM	2.5	3	5.4	3	1440	3	200-440	50/60	1	11.2	3.125	82-153	132	2.8	
ZKH-03001SM	3	3	5.4	3	1440	3	200-440	50/60	1	11.2	3.75	82-153	138	2.8	
ZKH-03002SM	3	3	4.4	3	1440	3	200-440	50/60	2	11.2	3.75	82-153	147	4.7	
ZKH-03003SM	3	3	2.2	1.5	1440	3	200-440	50/60	3	7.1	3.75	82-153	101	3.4	
ZKH-05002SM	5	3	2.7	3	1440	3	200-440	50/60	5	11.2	6.25	100-178	187	5.6	

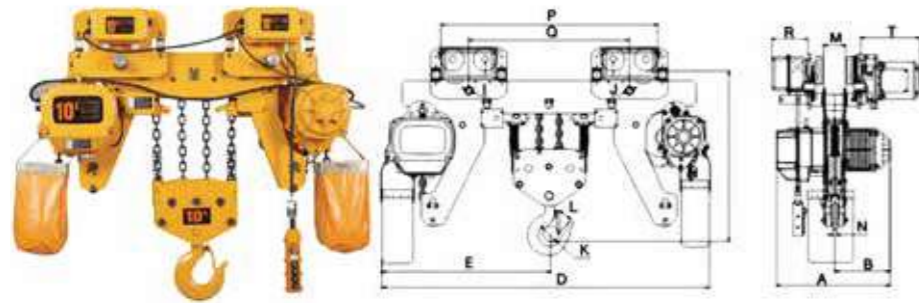
Model	H	A	B	D	F	K	L	N	I	J	P
ZKH-00501SM	580	460	230	280	160	φ35	28	17	φ28	91	163
ZKH-01001SM	635	520	260	300	176	φ40	31	22	φ26	90	164
ZKH-01002SM	670	460	230	280	205	φ40	31	22	φ26	90	164
ZKH-01501SM	764	615	295	430	265	φ47	38	30	φ31	115	221
ZKH-02001SM	764	615	295	430	265	φ47	38	30	φ31	115	221
ZKH-02002SM	800	520	260	300	236	φ47	38	30	φ31	115	221
ZKH-02501SM	854	615	295	430	265	φ58	47	36	φ36	138	265
ZKH-03001SM	854	615	295	430	265	φ58	47	36	φ36	138	265
ZKH-03002SM	960	615	295	430	320	φ58	47	36	φ36	138	265
ZKH-03003SM	958	520	260	350	205	φ58	47	36	φ36	138	265
ZKH-05002SM	1007	615	295	430	325	φ60	48	43	φ43	157	304

低净空环链葫芦

Low Head Room Electric Chain Hoist



Low Head Room Electric Chain Hoist 0.5t-7.5t



Low Head Room Electric Chain Hoist 10t

尺寸规格表 Size Specification

Model	H	A	B	D	E	I	J	K	L	M	N	P	Q	R	T
ZKH-00501SL	440	460	230	/	/	φ 31	φ 31	φ 35	25	52	17	585	400	142	231
ZKH-01001SL	480	520	260	/	/	φ 31	φ 31	φ 40	31	56	22	630	445	142	231
ZKH-01501SL	570	615	295	/	/	φ 31	φ 36	φ 47	38	66	30	720	505	142	231
ZKH-02001SL	570	615	295	/	/	φ 31	φ 36	φ 47	38	66	30	720	505	142	231
ZKH-02002SL	535	520	260	/	/	φ 31	φ 36	φ 47	38	56	30	665	445	142	231
ZKH-02501SL	640	615	295	/	/	φ 36	φ 43	φ 58	47	73	36	775	526	142	231
ZKH-03001SL	640	615	295	/	/	φ 36	φ 43	φ 58	47	73	36	775	526	142	231
ZKH-03002SL	685	615	295	/	/	φ 36	φ 43	φ 58	47	66	36	750	503	142	231
ZKH-05002SL	740	615	295	/	/	φ 43	φ 54	φ 60	48	73	43	825	541	142	231
ZKH-07503SL	890	615	295	/	/	φ 43	φ 54	φ 85	80	73	55	1020	730	142	231
ZKH-10004SL	880	630	315	1640	820	φ 54	φ 54	φ 85	80	85	55	926	630	142	231

Above Table Is For Single Lift Speed.

Model	H	A	B	D	E	I	J	K	L	M	N	P	Q	R	T
ZKH-00501DL	440	545	260	/	/	φ 31	φ 31	φ 35	25	52	17	585	400	142	231
ZKH-01001DL	480	582	280	/	/	φ 31	φ 31	φ 40	31	56	22	630	445	142	231
ZKH-01501DL	570	670	313	/	/	φ 31	φ 36	φ 47	38	66	30	720	505	142	231
ZKH-02001DL	570	670	313	/	/	φ 31	φ 36	φ 47	38	66	30	720	505	142	231
ZKH-02002DL	535	582	280	/	/	φ 31	φ 36	φ 47	38	56	30	665	445	142	231
ZKH-02501DL	640	670	313	/	/	φ 36	φ 43	φ 58	47	73	36	775	526	142	231
ZKH-03001DL	640	670	313	/	/	φ 36	φ 43	φ 58	47	73	36	775	526	142	231
ZKH-03002DL	685	670	313	/	/	φ 36	φ 43	φ 58	47	66	36	750	503	142	231
ZKH-05002DL	740	670	313	/	/	φ 43	φ 54	φ 60	48	73	43	825	541	142	231
ZKH-07503DL	890	670	313	/	/	φ 43	φ 54	φ 85	80	73	55	1020	730	142	231
ZKH-10004DL	880	670	388	1640	820	φ 54	φ 54	φ 85	80	85	55	926	630	142	231

Above Table Is For Single Lift Speed.

产品特点 Product Features

在缩短机体与横梁轨道间距离上具有独特的最佳结构，适用于在较低建筑物内使用，尤其适用于临时搭建的厂房内或者在其内需要扩大有效起升空间的场所。

It is typical of unique optimal structure in shortening the distance between the machine body and the beam tracks, applicable to operations inside fairly low buildings, especially suitable for use in temporarily erected plant buildings or on the sites where expansion of effective hoisting spaces inside the buildings is required.

技术参数 Technical Parameter

Model	Capacity (t)	Min Lift Height (m)	Lift Spee (m/min)	Lift Motor					Trolley Motor					Chain Falls	Chain Diameter (mm)	Test load (t)	Beam width (mm)	Weight Added with 1m Higher (kg)	
				Power (kw)	Rotation Speed (r/min)	Phase	Voltage (V)	Frequency (HZ)	Power (kw)	Rotation Speed (r/min)	Trolley Speed (m/min)	Phase	Voltage (V)						Frequency (HZ)
ZKH-00501SL	0.5	3	6.8	0.75	1440	3	200-440	50/60	0.4	1440	11/21	3	200-440	50/60	1	6.3	0.625	58-153	0.81
ZKH-01001SL	1	3	6.6	1.5	1440	3	200-440	50/60	0.4	1440	11/21	3	200-440	50/60	1	7.1	1.25	58-153	1.1
ZKH-01501SL	1.5	3	8.8	3	1440	3	200-440	50/60	0.4	1440	11/21	3	200-440	50/60	1	10	1.875	82-178	2.3
ZKH-02001SL	2	3	6.6	3	1440	3	200-440	50/60	0.4	1440	11/21	3	200-440	50/60	1	10	2.5	82-178	2.3
ZKH-02002SL	2	3	3.3	1.5	1440	3	200-440	50/60	0.4	1440	11/21	3	200-440	50/60	2	7.1	2.5	82-178	2.2
ZKH-02501SL	2.5	3	5.4	3	1440	3	200-440	50/60	0.75	1440	11/21	3	200-440	50/60	1	11.2	3.125	100-178	2.8
ZKH-03001SL	3	3	5.4	3	1440	3	200-440	50/60	0.75	1440	11/21	3	200-440	50/60	1	11.2	3.75	100-178	2.8
ZKH-03002SL	3	3	4.4	3	1440	3	200-440	50/60	0.75	1440	11/21	3	200-440	50/60	2	10	3.75	100-178	4.7
ZKH-05002SL	5	3	2.7	3	1440	3	200-440	50/60	0.75	1440	11/21	3	200-440	50/60	2	11.2	6.25	100-178	5.6
ZKH-07503SL	7.5	3	1.8	3	1440	3	200-440	50/60	0.75	1440	11/21	3	200-440	50/60	3	11.2	9.4	100-178	8.4
ZKH-10004SL	10	3	2.7	3*2	1440	3	200-440	50/60	0.75	1440	11/21	3	200-440	50/60	4	11.2	12.5	150-220	11

Above Table Is For Single Lift Speed.

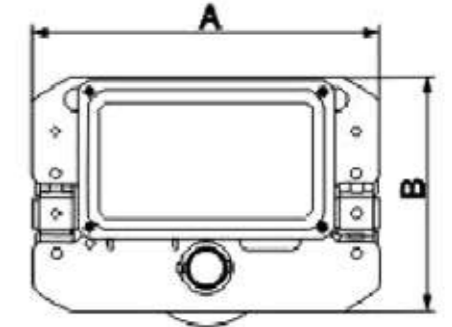
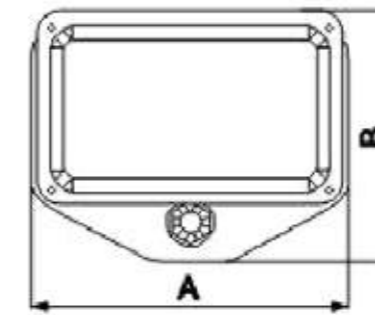
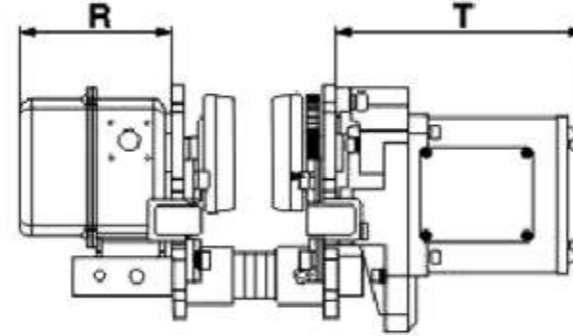
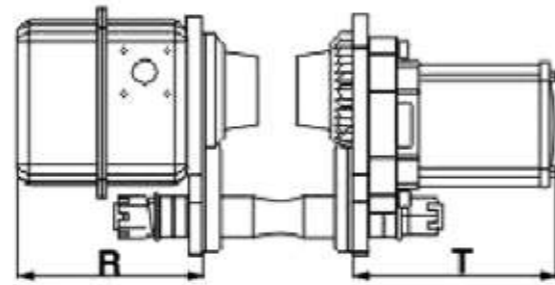
Model	Capacity (t)	Min Lift Height (m)	Lift Spee (m/min)	Lift Motor					Trolley Motor					Chain Falls	Chain Diameter (mm)	Test load (t)	Beam width (mm)	Weight Added with 1m Higher (kg)	
				Power (kw)	Rotation Speed (r/min)	Phase	Voltage (V)	Frequency (HZ)	Power (kw)	Rotation Speed (r/min)	Trolley Speed (m/min)	Phase	Voltage (V)						Frequency (HZ)
ZKH-00501DL	0.5	3	6.9/2.3	0.8/0.3	2890/980	3	200-440	50/60	0.4	1440	11/21	3	200-440	50/60	1	6.3	0.625	58-153	0.81
ZKH-01001DL	1	3	6.9/2.3	1.8/0.6	2890/980	3	200-440	50/60	0.4	1440	11/21	3	200-440	50/60	1	7.1	1.25	58-153	1.1
ZKH-01501DL	1.5	3	9/3	3/1	2890/980	3	200-440	50/60	0.4	1440	11/21	3	200-440	50/60	2	10	1.875	82-178	2.3
ZKH-02001DL	2	3	6.9/2.3	3/1	2890/980	3	200-440	50/60	0.4	1440	11/21	3	200-440	50/60	1	10	2.5	82-178	2.3
ZKH-02002DL	2	3	3.4/1.1	1.8/0.6	2890/980	3	200-440	50/60	0.4	1440	11/21	3	200-440	50/60	1	7.1	2.5	82-178	2.2
ZKH-02501DL	2.5	3	5.4/1.8	3/1	2890/980	3	200-440	50/60	0.75	1440	11/21	3	200-440	50/60	2	11.2	3.125	100-178	2.8
ZKH-03001DL	3	3	5.4/1.8	3/1	2890/980	3	200-440	50/60	0.75	1440	11/21	3	200-440	50/60	1	11.2	3.75	100-178	2.8
ZKH-03002DL	3	3	4.5/1.5	3/1	2890/980	3	200-440	50/60	0.75	1440	11/21	3	200-440	50/60	1	10	3.75	100-178	4.7
ZKH-05002DL	5	3	2.7/0.9	3/1	2890/980	3	200-440	50/60	0.75	1440	11/21	3	200-440	50/60	2	11.2	6.25	100-178	5.6
ZKH-07503DL	7.5	3	1.8/0.6	3/1	2890/980	3	200-440	50/60	0.75	1440	11/21	3	200-440	50/60	3	11.2	9.4	100-178	8.4
ZKH-10004DL	10	3	2.7/0.9	3*2/1*2	2890/980	3	200-440	50/60	0.75	1440	11/21	3	200-440	50/60	2	11.2	12.5	150-220	11

Above Table Is For Double Lift Speed.

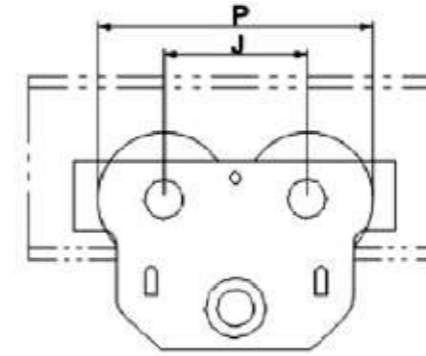
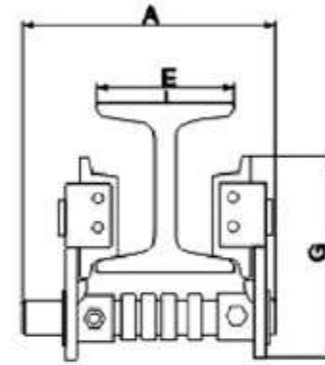
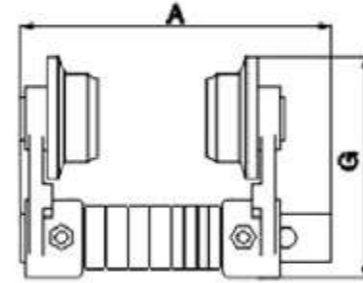
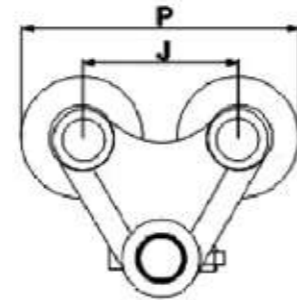
跑车
Trolley



Electric Trolley



Manual Trolley



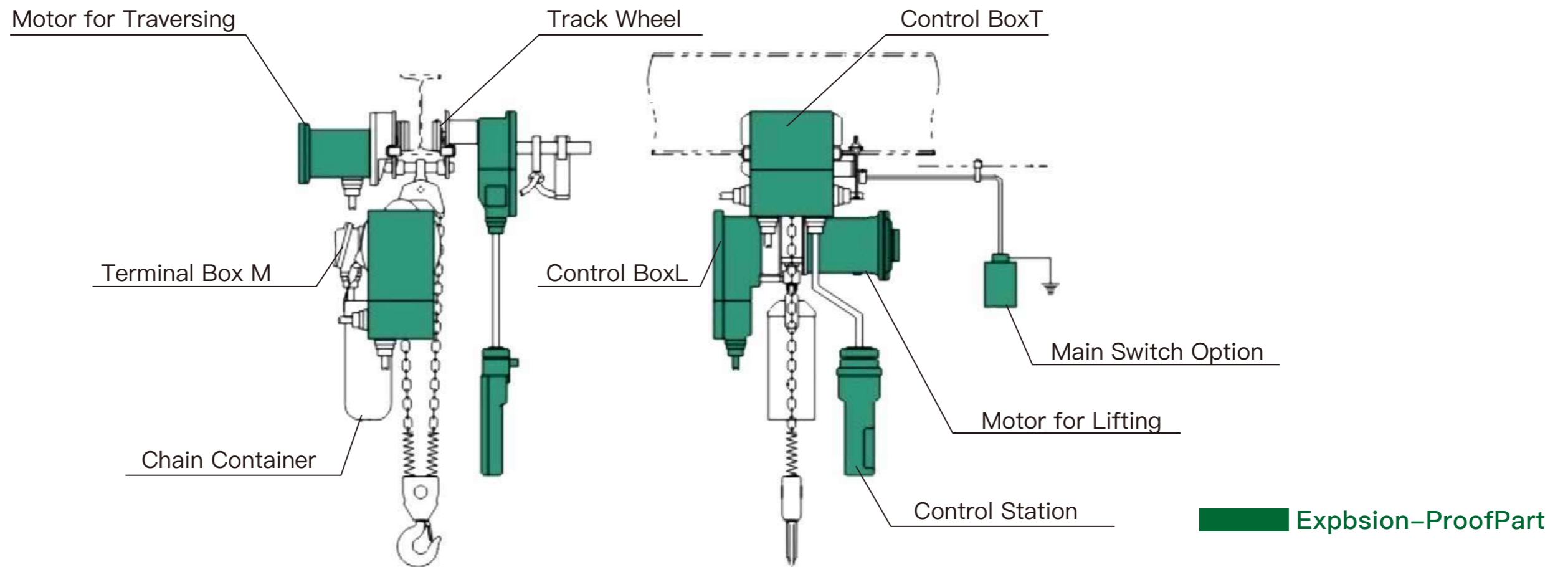
尺寸规格表 Size Specification

Model	ZK-ET-005	ZK-ET-010	ZK-ET-020	ZK-ET-030	ZK-ET-050	ZK-ET-075	ZK-ET-100
Capacity (t)	0.5	1	2	3	5	7.5	10
A (mm)	315	315	325	340	400	400	500
B (mm)	212	212	220	250	291	291	370
R (mm)	142	142	142	142	142	142	142
T (mm)	231	231	231	231	231	231	231
I (mm)	31	31	36	43	54	54	70
Trolley Speed (m/min)	11/21	11/21	11/21	11/21	11/21	11/21	11/21
Motor Power (kw)	0.4	0.4	0.4	0.75	0.75	0.75	0.75
Min Turning Radius (m)	0.8	0.8	0.8	1	1.8	1.8	2.5
Beam Width (mm)	52-153	52-153	82-178	100-178	100-178	100-178	150-220

Model	ZK-MT-005	ZK-MT-010	ZK-MT-020	ZK-MT-030	ZK-MT-050
Capacity (t)	0.5	1	2	3	5
A (mm)	200	200	218	275	275
G (mm)	170	170	205	236	280
J (mm)	115	115	138	157	178
E (mm)	20-102	50-102	68-130	82-153	82-153
P (mm)	221	221	265	305	332
Min turning radius (m)	0.6	0.6	1	1	1.2

防爆环链葫芦

Explosion Proof Chain Hoist



产品特点 Product Features

图中阴影显示部分为防爆设备。相应的，电子部件具有足够的强度以承受在JB/T10222-2011指示的内部压力。

使用环境:

- 海拔1000米以下;
- 周围空气湿度不高于+40℃, 不低于-20摄氏度;
- 电网波动在±10%;
- 相对湿度不超过95%, 能防止滴水的场合。
- 工厂内IIB类, T4温度组别的爆炸性环境的1区和2区。
- 隔爆型, 防爆标志为Ex d IIB T4 Gb, 适用于工厂内具有爆炸性气体和蒸汽与空气形成的爆炸性混合物的危险场所工作的防爆葫芦。

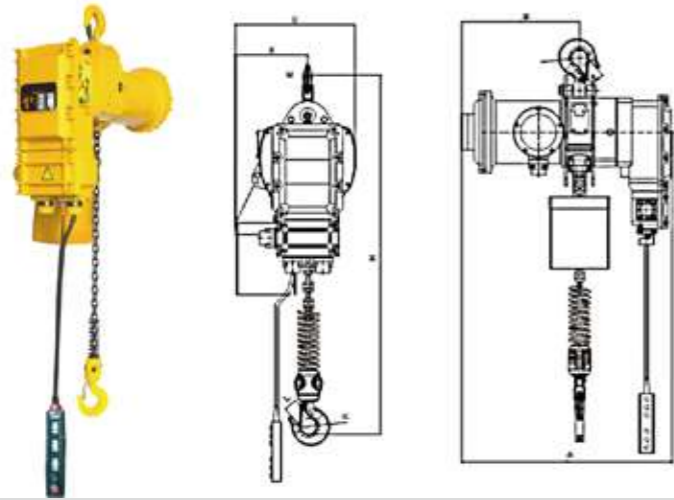
The section in the left figure shows the explosion protected construction. Accordingly, electric parts have sufficient strength to withstand the internal pressure indicated in JB/T 10222-2011.

Application environment:

- Below 1000 meters above sea level;
- The ambient air humidity is not higher than + 40 °C, not lower than -20 °C
- Power grid fluctuations within ± 10%;
- Relative humidity does not exceed 95%, can prevent dripping.
- Zone 1 and Zone 2 of the explosive atmosphere in the IIB, T4 temperature group in the factory.
- Explosion-proof type, the explosion-proof mark is Ex d IIB T4 Gb, which is suitable for explosion-proof hoists working in hazardous locations with explosive gases and explosive mixtures of steam and air in the factory.

防爆环链葫芦

Explosion Proof Chain Hoist



Fixed Type Explosion Proof Electric Chain Hoist 1t-35t

技术参数 Technical Parameter

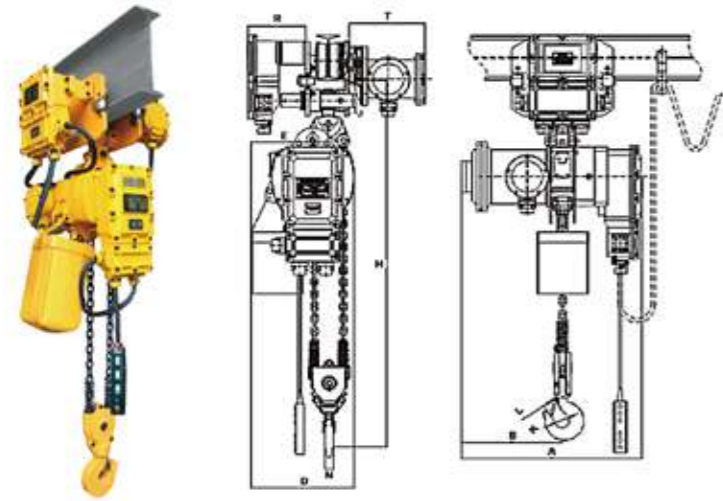
Model	Capacity (t)	Min Lift Height (m)	Lift Spee (m/min)	Lift Motor					Trolley Motor					
				Power (kw)	Rotation Speed (r/min)	Phase	Voltage (V)	Frequency (HZ)	Power (kw)	Rotation Speed (r/min)	Trolley Speed (m/min)	Phase	Voltage (V)	Frequency (HZ)
HHBDB01-01	1	3	6.8	1.5	1440	3	200-440	50/60	/	/	/	/	/	/
HHBDB02-01	2	3	6.8	3	1440	3	200-440	50/60	/	/	/	/	/	/
HHBDB02-02	2	3	3.4	1.5	1440	3	200-440	50/60	/	/	/	/	/	/
HHBDB03-01	3	3	5.4	3	1440	3	200-440	50/60	/	/	/	/	/	/
HHBDB03-02	3	3	3.4	3	1440	3	200-440	50/60	/	/	/	/	/	/
HHBDB05-02	5	3	2.7	3	1440	3	200-440	50/60	/	/	/	/	/	/
HHBDB10-04	10	3	2.8	3*2	1440	3	200-440	50/60	/	/	/	/	/	/
HHBDB15-06	15	3	1.9	3*2	1440	3	200-440	50/60	/	/	/	/	/	/
HHBDB20-08	20	3	1.4	3*2	1440	3	200-440	50/60	/	/	/	/	/	/
HHBDB25-10	25	3	1.1	3*2	1440	3	200-440	50/60	/	/	/	/	/	/
HHBDB30-12	30	3	0.9	3*2	1440	3	200-440	50/60	/	/	/	/	/	/
HHBDB35-16	35	3	0.7	3*2	1440	3	200-440	50/60	/	/	/	/	/	/

尺寸规格表 Size Specification

Model	Capacity (t)	H	A	B	D	E	K	L	N	M	J	Q	Chain Diameter
HHBDB01-01	1	600	600	330	300	176	40	31	24	/	/	/	7.1
HHBDB02-01	2	800	725	350	430	265	49	35	30	/	/	/	10
HHBDB02-02	2	750	600	330	300	230	49	35	30	/	/	/	7.1
HHBDB03-01	3	845	675	325	430	265	59	42	35	/	/	/	11.2
HHBDB03-02	3	950	675	325	430	320	59	42	35	/	/	/	10
HHBDB05-02	5	1030	675	325	430	325	60	45	43	/	/	/	11.2
HHBDB10-04	10	1400	725	350	890	445	90	740	50	/	/	/	11.2
HHBDB15-06	15	1360	725	350	1030	/	110	80	85	88	70	520	11.2
HHBDB20-08	20	1250	725	350	1220	/	110	80	85	88	70	/	11.2
HHBDB25-10	25	1700	725	350	1315	/	140	100	95	96	80	/	11.2
HHBDB30-12	30	1640	915	458	1380	/	140	100	95	228	90	/	11.2
HHBDB35-16	35	1790	915	458	1600	/	200	140	135	235	100	440	11.2

防爆环链葫芦

Explosion Proof Chain Hoist



Travel Type Explosion Proof Electric Chain Hoist 1t-35t

技术参数 Technical Parameter

Model	Capacity (t)	Min Lift Height (m)	Lift Spee (m/min)	Power (kw)	Rotation Speed (r/min)	Lift Motor			Power (kw)	Rotation Speed (r/min)	Trolley Motor			Beam Width (mm)	
						Phase	Voltage (V)	Frequency (HZ)			Phase	Voltage (V)	Frequency (HZ)		
HHBDB01-01F	1	3	6.8	1.5	1440	3	200-440	50/60	0.4	1440	10/20	3	200-440	50/60	80-160
HHBDB02-01F	2	3	6.8	3	1440	3	200-440	50/60	0.4	1440	10/20	3	200-440	50/60	82-178
HHBDB02-02F	2	3	3.4	1.5	1440	3	200-440	50/60	0.4	1440	10/20	3	200-440	50/60	82-178
HHBDB03-01F	3	3	5.4	3	1440	3	200-440	50/60	0.4	1440	10/20	3	200-440	50/60	100-178
HHBDB03-02F	3	3	3.4	3	1440	3	200-440	50/60	0.4	1440	10/20	3	200-440	50/60	100-180
HHBDB05-02F	5	3	2.7	3	1440	3	200-440	50/60	0.75	1440	10/20	3	200-440	50/60	110-180
HHBDB10-04F	10	3	2.8	3*2	1440	3	200-440	50/60	0.75*2	1440	10/20	3	200-440	50/60	150-220
HHBDB15-06F	15	3	1.9	3*2	1440	3	200-440	50/60	0.75*2	1440	10/20	3	200-440	50/60	150-220
HHBDB20-08F	20	3	1.4	3*2	1440	3	200-440	50/60	0.75*2	1440	10/20	3	200-440	50/60	150-220
HHBDB25-10F	25	3	1.1	3*2	1440	3	200-440	50/60	0.75*2	1440	10/20	3	200-440	50/60	150-220
HHBDB30-12F	30	3	0.9	3*2	1440	3	200-440	50/60	0.75*2	1440	10/20	3	200-440	50/60	150-220
HHBDB35-16F	35	3	0.7	3*2	1440	3	200-440	50/60	0.75*2	1440	10/20	3	200-440	50/60	150-220

尺寸规格表 Size Specification

Model	Capacity (t)	H	A	B	D	E	K	L	N	J	R	T	Q	Chain Diameter
HHBDB01-01	1	650	600	330	300	176	40	31	24	31	224	298	/	7.1
HHBDB02-01	2	770	725	350	430	265	49	35	30	36	224	298	/	7.1
HHBDB02-02	2	740	600	330	300	230	49	35	30	36	224	298	/	7.1
HHBDB03-01	3	840	725	350	470	265	49	42	35	43	224	298	/	11.2
HHBDB03-02	3	920	725	350	430	320	59	42	35	43	224	298	/	10
HHBDB05-02	5	1015	725	350	430	325	60	45	43	54	224	298	/	11.2
HHBDB10-04	10	1200	725	350	890	445	90	70	50	70	224	298	430	11.2
HHBDB15-06	15	1360	725	350	1030	/	110	80	85	70	224	298	520	11.2
HHBDB20-08	20	1300	725	350	1220	/	110	80	85	70	224	298	520	11.2
HHBDB25-10	25	1500	725	350	1450	/	140	100	95	75	224	298	680	11.2
HHBDB30-12	30	1640	915	458	1380	/	140	100	95	80	/	/	400	11.22
HHBDB35-16	35	1790	915	458	1600	/	200	140	135	100	/	/	440	11.2

其他环链葫芦
Other Type Chain Hoist



Manual Chain Block



Lever Pulley Block

产品展示
Products Show

