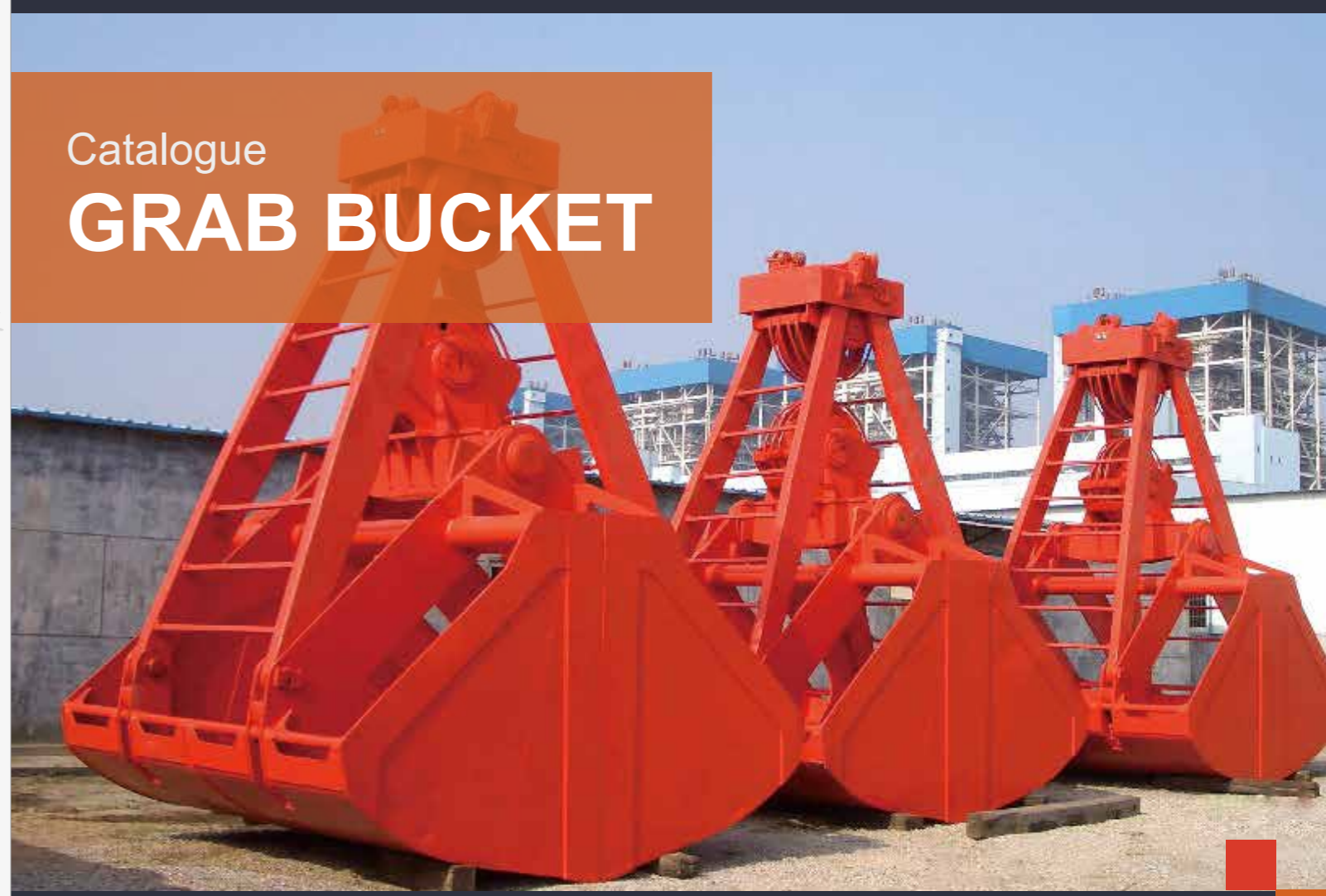




Catalogue  
**GRAB BUCKET**



UP TO NOW, WE EXPORT MORE THAN **50** COUNTRIES

**HEHAN ZOKE CRANE CO., LTD**

EMAIL: [sales@zokecrane.com](mailto:sales@zokecrane.com)

TEL: +86 373-3872-232

FAX: +86 373-5259-699

WEB: [www.zoke-crane.com](http://www.zoke-crane.com)

[www.zokecrane.com](http://www.zokecrane.com)

ADDRESS: Changnao Industrial District, Xinxiang, Henan China

**HEHAN ZOKE CRANE CO., LTD**

[www.zokecrane.com](http://www.zokecrane.com)

# ABOUT ZOKECRANE

## Quality Is Our Top Priority

ZOKE CRANE is ISO9001-2008 registered. This means we actively monitor every part of our business, conducting monthly evaluations that cover everything from customer service to delivery times.

## Technical Innovation Is Our Development Concept

ZOKE CRANE has been constantly carrying out technological innovation for many years, communicating and cooperating with internationally renowned enterprises, actively introducing high-tech, and pushing the ZOKE brand to the international market. Develop new products to meet the market demand for high-end products, market-oriented, based on integrity, take the road of technological innovation.

## Service Is The Basis Of Our Survival

It is our aim to improve the production efficiency of customers. Customized and OEM accepted We provide professional consultant, sales, design, production, installation and commissioning, maintenance for customers worldwide.



# CONTENT



## Hydraulic Grab Bucket

DYZ Model Hydraulic Orange Grab.....	01
DY Model Hydraulic Clamshell Grab .....	03
Wireless Remote Grab Bucket .....	05



## Mechanical Grab Bucket

Four Rope Clamshell Grab Bucket .....	07
Prevent Leakage Clamshell Grab bucket .....	09
Double Rope Clamshell grab bucket.....	11
Four rope Orange Grab Bucket .....	13
Single Rope Clamshell grab bucket .....	15



## Motorized Grab Bucket

Electric Motor Clamshell Grab Bucket.....	17
Electric Motor Orange Grab Bucket.....	19
Electric Stainless Steel Grab Bucket.....	21

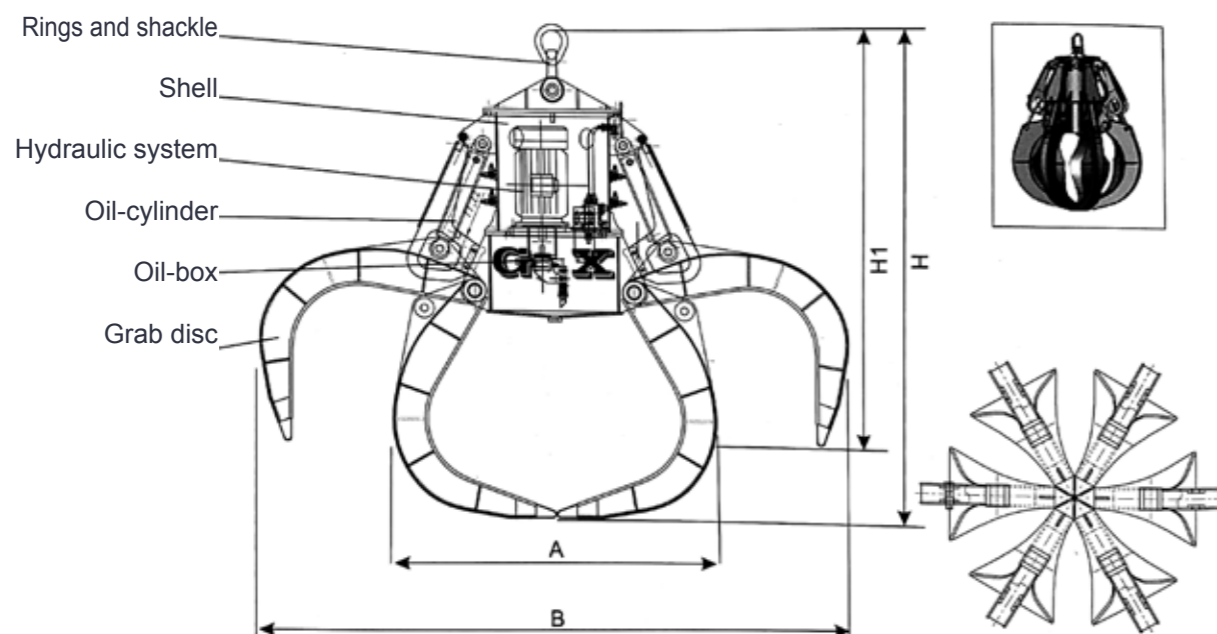
## DYZ Model Hydraulic Orange Grab



DYZ model hydraulic orange grab and DY model hydraulic clamshell grab are manufactured, according to the European and American advanced technology, the main hydraulic component imported from Europe and America.

It features the big grasping force and high automation, which is considered as the best device to load and unload the large pieces of ore, pig iron, scrap steel, waste, iron powder, slag and so on. The hydraulic grab is mainly used for Iron and steel, mines, forest farms, coal mine, harbor wharf, scrap steel, waste disposal, biomass power and other industries.

### Drawing



### Specifications

Model	Volume -m <sup>3</sup>	Dead weigh - t	Capacity of crane - t	Total Power - kw	Closing Time - s	Size -mm			
						H	H1	A	B
DYZ3 [0.5] 1.5	0.5	1.5	3.2	11	10	2180	1880	1570	2160
DYZ3 [0.6] 1.6	0.6	1.7	3.2	11	11	2190	1900	1600	2220
DYZ5 [0.8] 2.0	0.8	2.0	5	15	13	2380	1980	1700	2480
DYZ10 [2.0] 4.2	2	4.2	10	22	16	3330	2820	2220	3400
DYZ5 [2.5] 2.6	2.5	2.6	5	18.5	17	3214	2895	2247	3572
DYZ10 [3.0] 3.8	3.0	3.8	10	18.5	20	3214	2876	2500	3680
DYZ10 [5.5] 4.3	5.0	4.3	10	22	19	3720	3295	3000	4400
DYZ16 [2.5] 5.5	2.5	5.5	16	30	16	3690	3127	2420	3600
DYZ16 [8.0] 5.6	8.0	5.6	16	30	19	3930	3294	3460	5280
DYZ20 [4.0] 7	4.0	7	20	37	17	3820	3310	2680	4200
DYZ20 [12] 8	12	8	20	37	25	4560	4100	3900	5500
DYZ25 [17] 9	17	9	25	45	26	4780	4400	4200	6000
DYZ30 [20] 11	20	11	30	45	28	4889	4550	4400	6300

### Products Show



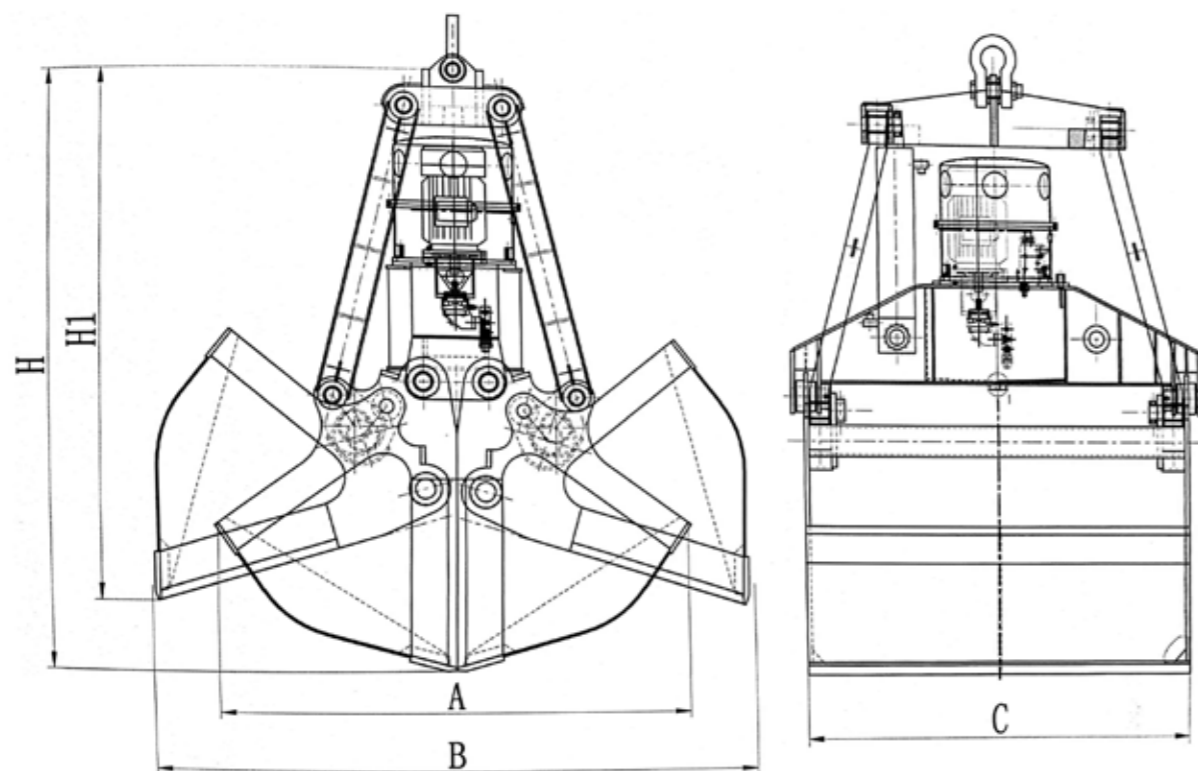
## DY Model Hydraulic Clamshell Grab



DY model hydraulic clamshell grab and DYZ model hydraulic orange grab are manufactured, according to the European and American advanced technology, the main hydraulic component imported from Europe and America.

It features the big grasping force and high automation, which is considered as the best device to load and unload the large pieces of ore, pig iron, scrap steel, waste, iron powder, slag and so on. The hydraulic grab is mainly used for Iron and steel, mines, forest farms, coal mine, harbor wharf, scrap steel, waste disposal, biomass power and other industries.

### Drawing



### Specifications

Model	Volume -m <sup>3</sup>	Dead weigh - t	Capacity of crane - t	Total Power - kw	Closing Time - s	Size -mm			
						H	H1	A	B
DY8-12	4.5	3.7	8	18.5	13	2950	2700	2300	3000
DY10-12	5.5	4.5	10	22.0	17	3150	2900	2550	3000
DY15-12	7	5	15	22.0	18	3200	2950	2660	3400
DY20-12	10	7	20	28.0	18	3700	3360	3050	3700
DY25-12	12	9.3	25	37.0	18	3890	3500	3350	3820
DY30-12	18	14.5	32	55.0	19	4400	4100	3400	4400
DY8-23	3	3.2	8	18.5	13	2750	2700	2200	2700
DY10-23	4	4.2	10	18.5	18	2800	2750	2200	2800
DY15-23	6.5	5.6	15	22.0	17	3250	2900	2700	3300
DY20-23	8	6.5	20	28.0	18	3500	3300	2950	3400
DY25-23	10	8	25	37.0	18	3750	3400	3050	3700
DY32-23	12.5	10.5	32	45.0	18	4100	3850	3300	4000

### Products Show



## Wireless Remote Grab bucket



Wireless remote controlled Grab bucket shall be applicable for the single hook crane, widely used at port, bulk carriers and other work occasions handling the slag, coal, sand, and other granular materials.

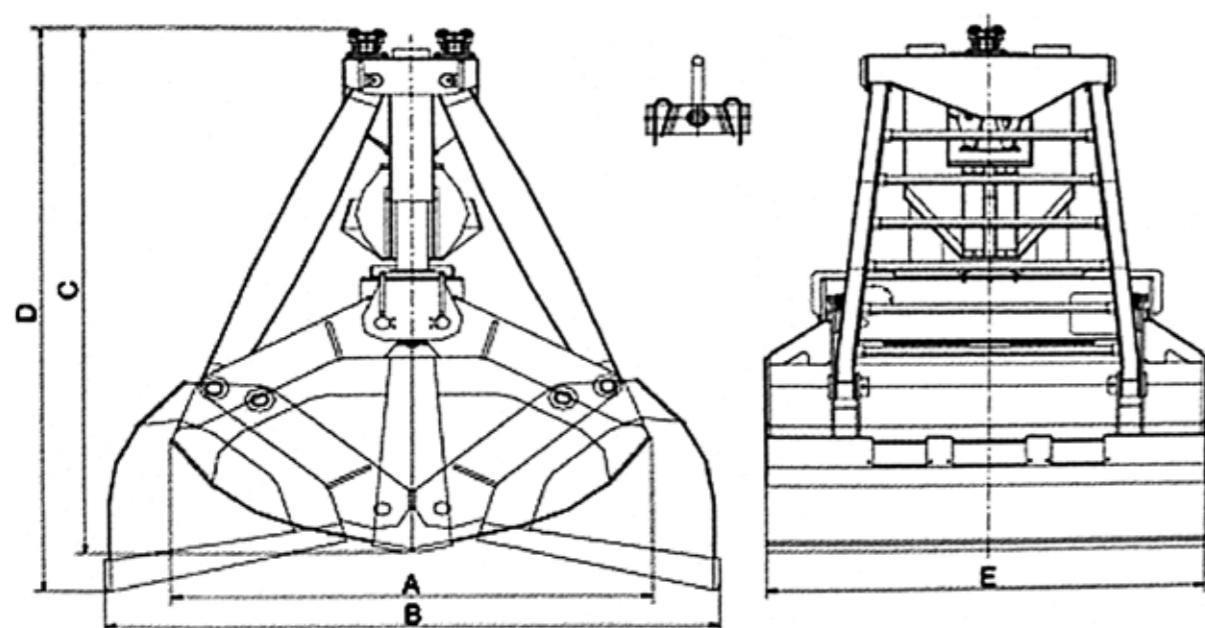
Its structure is reasonable, opening and closing mechanism is novel.

On the basis of the single rope grab, adopt the wireless remote to make grab bucket automatically open in the air for unloading.

### Specifications

Model	Volume -m <sup>3</sup>	Rated lifting weight -t	Dead weight -t	Dia. of wire rope -mm	Size -mm				
					A	B	C	D	E
YK10 [5] 5	5	10	5.0	24	2635	3358	3519	3914	2600
YK14 [7] 8.5	7	14	6.5	28	2780	3398	4092	4448	2800
YK16 [8] 7.5	8	16	7.5	28	2780	3398	4092	4448	3000
YK20 [10] 9	10	20	9.0	32	2810	3591	4192	4513	3560
YK25 [13] 10	13	25	10	36	3000	3837	4487	4850	3800
YK28 [16] 11	16	28	11	36	3060	3887	4590	4819	4320
YK35 [20] 15	20	35	15	40	3270	4109	5008	5391	4600
YK40 [24] 17	24	40	17	45	3520	4374	5136	5495	4700

### Drawing



### Products Show



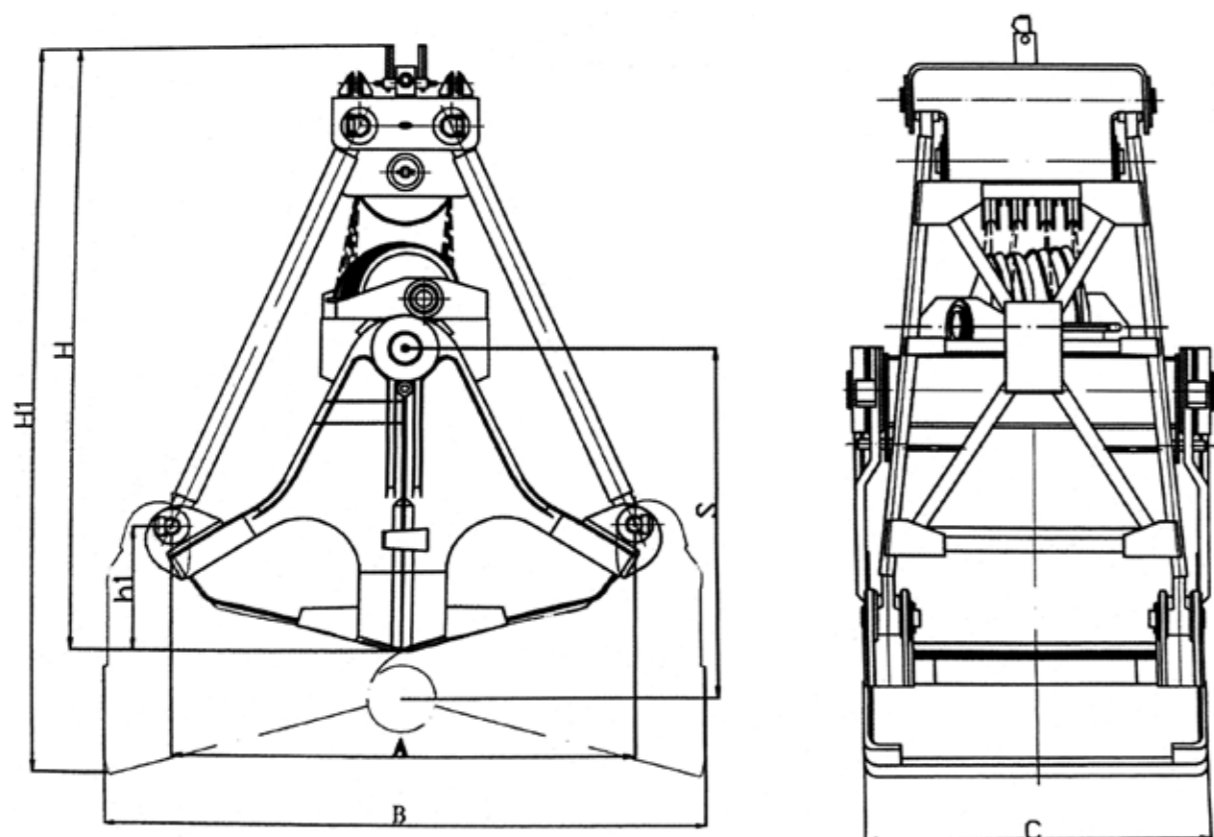
## Four Rope Clamshell Grab Bucket



The four rope clamshell grab bucket shall be applicable for the crane, which possess two group of motor drum. Each group drum lead to two wire ropes, they make up one group of wire rope rooted in the balance frame for supporting.

Another group of wire rope pass the pulley of upper beam and lower beam, compositing a pulley block to open and close the grab bucket.

### Drawing



### Specifications

Model	Volume -m³	Density of materia -m³/t	Capacity of crane -t	Dead weight -t	Closing time -t	Size -mm				
						H	H1	A	B	C
U1	1	1.8-2.9	5	2.1	11	2635	3065	1850	2544	1224
U2	1.5	1.0-1.8	5	2.25	12.5	2765	3280	2105	2798	1324
U3	2.5	0.5-1.0	5	2.38	8	2985	3444	2350	3227	1570
U4	2	1.8-2.9	10	3.94	15	3184	3757	2410	3070	1412
U5	3	1.0-1.8	10	4.4	15	3301	3960	2650	3308	1642
U6	5	0.5-1	10	4.6	10	3549	4150	2950	3790	1988
U7	3	1.8-2.9	15	6.4	15.3	3856	4532	2616	3326	1806
U8	4.5	1.0-1.8	15	6.98	17.3	4076	4851	2956	3756	1906
U21	2.5	0.86	5	2.83	10.3	3350	3809	2350	3150	1560
GC13	5	2	20	9.6	13	4820	5580	2950	5000	1914
U56	9	0.95	15	7.4	7.4	4695	5785	4900	4900	2356

### Products Show



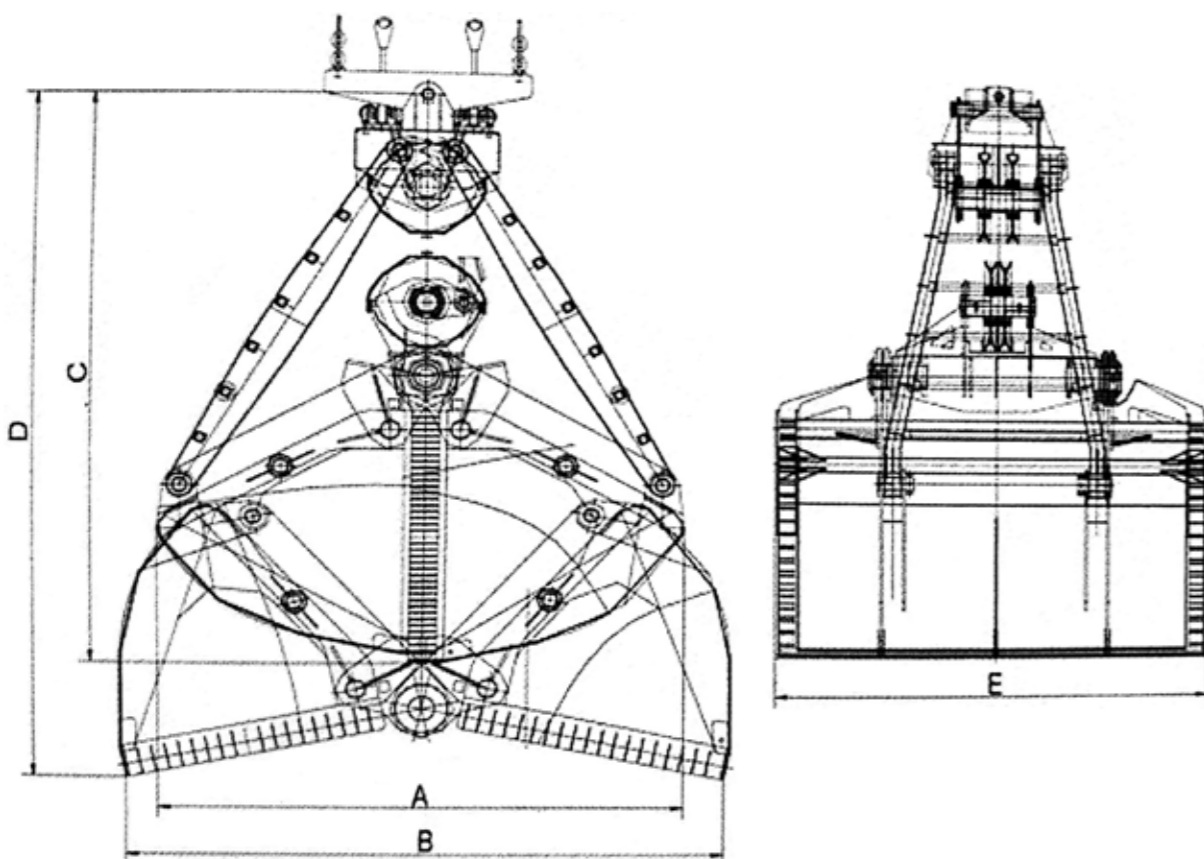
## Prevent Leakage Clamshell Grab Bucket



Prevent leakage grab bucket is a perfect equipment to handle the small and fine particle, such as grain, chemical fertilizer, fine ore.

For port, bulk carrier, large grain depot, bulk yard etc.

### Drawing



### Specifications

Model	Volume -m <sup>3</sup>	Self weight-kg	Capacity of crane - t	Rope Dia - mm	Size -mm				
					A	B	C	D	E
SFL10-7.5	7.5	4.5	10	24	2900	3836	3820	4430	2400
SFL16-12	10	6.5	16	28	3300	4234	4209	4936	2968
SFL20-15	15	8.8	20	30	3810	4340	4481	5396	3290
SFL25-18	18	10.5	25	32	4000	4624	5082	6036	3500

### Products Show



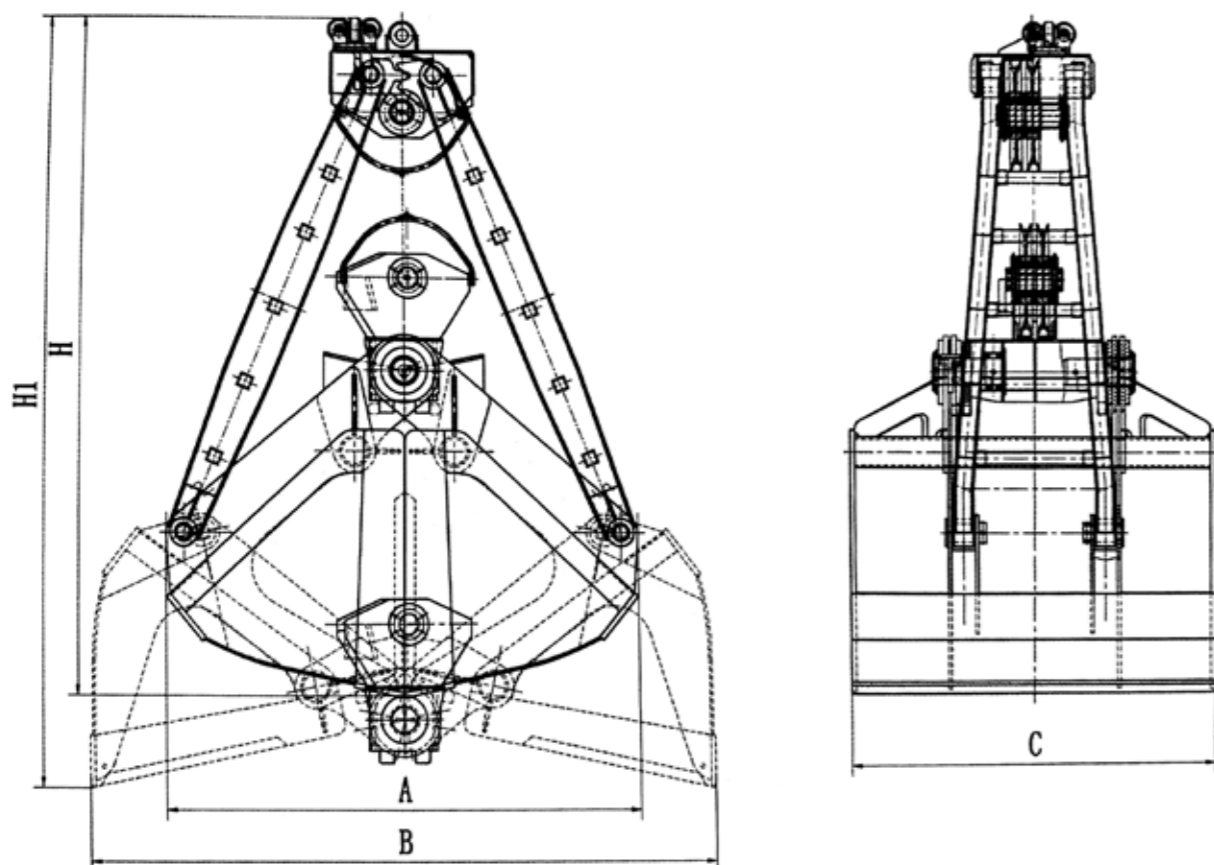
## Double Rope Clamshell Grab Bucket



The two rope clamshell grab bucket usually will be used in port and dock, construction of road and bridge, etc.

The two rope clamshell grab bucket shall be applicable for the crane, which possess two group of motor drum. Each group drum lead to one wire ropes, one group of wire rope rooted in the balance frame for supporting. Another group of wire rope pass the pulley of upper beam and lower beam, compositing a pulley block to open and close the grab bucket.

### Drawing



### Specifications

Model	Volume - m <sup>3</sup>	Density of materia - m <sup>3</sup> / t	Capacity of crane - t	Dead weight - t	Size - mm				
					H	H1	A	B	C
S0307	0.75	≤1.7	3	1.15	2246	2620	1680	2175	1060
S0510	1	≤2.0	5	2.1	2520	2850	2100	2500	1100
S0512	1.2	≤2.5	5	2.3	597	2877	1800	2550	1500
S0515	1.5	≤1.6	5	1.95	2750	3020	1980	2800	1250
S0520	2	≤1.5	5	2.2	2818	3248	2100	2780	1550
S0525	2.5	≤1.0	5	2.3	2835	3309	2300	3000	1500
S0530	3	≤1.0	5	2.3	2706	3257	2400	2100	1600
S0825	2.5	≤2.0	8	3.3	3020	3520	2220	2800	1480
S1030	3	≤2.0	10	4.0	3362	3810	2380	3140	1800
S1050	5	≤1.0	10	4.2	3300	3810	2400	3450	2100
S1060	6	0.9	10	4.3	3398	3880	2700	3800	2200

### Products Show





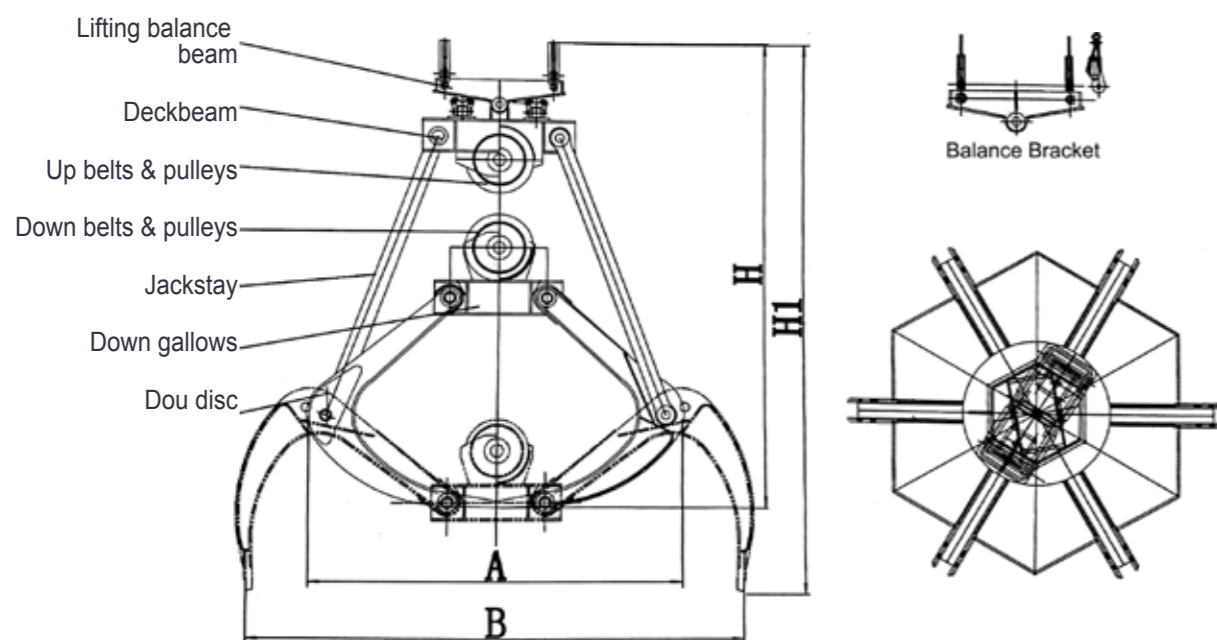
## Four Rope Orange Grab Bucket



Orange Grab Bucket shall be applicable to all kinds of harsh environment, loading and unloading iron scrap, large block material and rubbish. It shall be used in the ports, railway, metallurgy, mining and building etc. Its structure is divided into single rope, double rope, four rope and electric four types.

The jaw disc can respectively be closed according to the material's shape and size and the quantity of jaw disc can be designed to four and up to eight disc, according to the material and user's request.

### Drawing



### Specifications

Model	Volume -m <sup>3</sup>	Density of materia m <sup>3</sup> /t	Capacity of crane - t	Dead weight - t	Rate of Pulley	Size -mm			
						A	B	H	H1
LS0305	0.5	2	3	1.85	4	1780	2100	2150	2460
LS0507	0.75	2.5	5	2.4	5	2000	2480	2380	2730
LS0510	1	2	5	2.6	5	2200	2800	2690	3120
LS0515	1.5	1.6	5	2.6	4	2400	3000	2760	3290
LS0530	3.0	0.8	5	2.6	3	2700	3600	3100	3660
LS1015	1.5	3.3	10	4.9	6	2560	3200	3100	4030
LS1020	2.0	2.5	10	4.8	5	2620	3260	3480	4320
LS1030	3.0	1.6	10	4.6	5	2700	3400	3360	4060
LS1050	5.0	1.0	10	4.5	3	3200	4200	3650	4330
LS1655	5.5	1.8	16	7.8	5	3700	3700	4045	4975
LS2565	6.5	2	25	13	4	3800	3800	4800	5418

### Products Show



## Single Rope Clamshell Grab Bucket

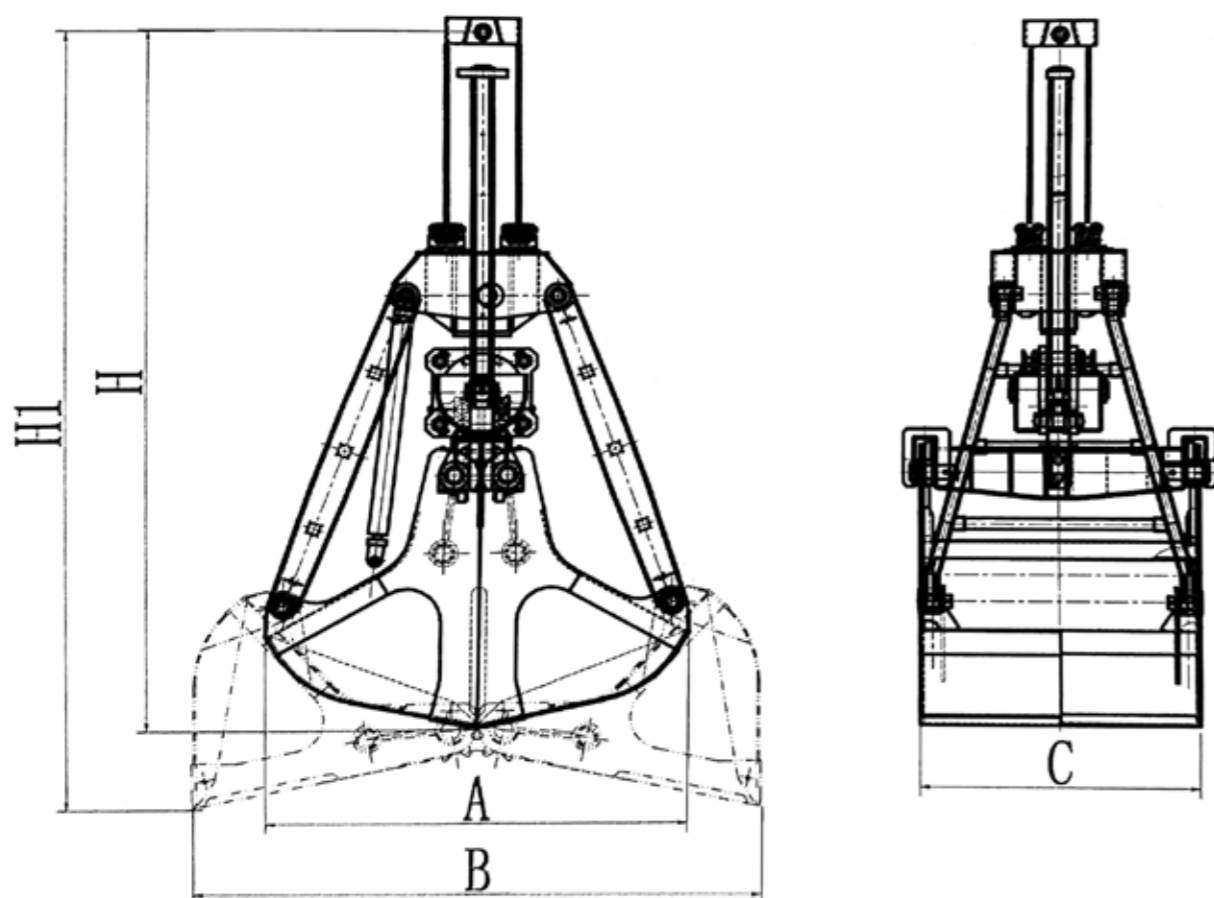


Single rope grab bucket is applicable to the crane, only possessing one lifting drum (single hook). The open and close institutions is novel and it's free to open and close. The grab is easy to operate and it can be used for underwater and ground operation for grabbing and transferring material.

The open of grab is driven by the top elastic spring component, and self-weight of handling material. The closed of grab is driven by the wire rope pulling force.

Note: This grab bucket can't open in the sky. The manual type and remote control type can realize open in the air.

### Drawing



### Specifications

Model	Volume -m <sup>3</sup>	Density of materia m <sup>3</sup> /t	Capacity of crane - t	Dead weight - t	Size -mm				
					H	H1	A	B	C
U75	0.75	≤3	5	2.1	3160	3830	1650	2070	850
U77	1	≤2.3	5	2.3	3810	4560	1800	2100	1160
U79	1.5	≤2.8	8	3.1	4120	4720	1950	2400	1200
U64	2	≤2.5	10	5.5	4345	5830	2400	3200	1400
U65	1.25	≤3.2	10	4.25	4075	5790	2280	2650	1300
U80	9	≤1.2	15	6.2	6200	8130	3350	4200	1990
U82	15	≤1.0	25	10.3	8000	12000	4000	5800	2500
AS08-25	2.5	≤1.8	8	3.5	4248	9200	2240	3000	1500
AS20-7	7	≤1.5	20	7.8	4820	11500	2970	3770	2200

### Products Show



## Electric Motor Clamshell Grab Bucket



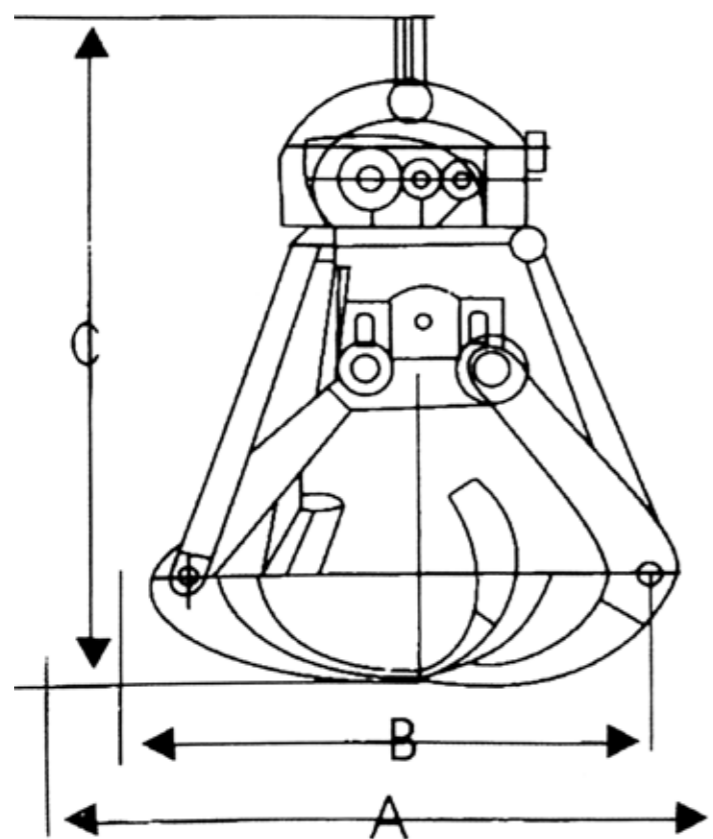
Electric motor grab motor are often used on all kinds of crane. The grab can be opened and closed by pendent and wireless remote controller to load and unload material in any height. Productivity is higher than the single rope grab, easy to operate, loading and unloading efficiency higher. Apply to grab all kinds of loose material.

Note: Prohibited to work underwater.

### Specifications

Model	Volume -m³	Type	Rate of material	Dead weight - t	Capacity of crane	Size -mm				
						H	H1	A	B	C
D3	0.3	Heavy	≤1.5	0.95	2	1850	2220	1200	750	360
D5	0.5	Heavy	1.6-2.4	1.29	3	3870	4490	2300	3000	1400
D7	0.75	Heavy	1.6-2.4	1.32	3	4100	4800	2500	3100	1650
D10	1	Middle	0.8-1.2	1.4	3	4140	4860	2500	3200	1896
D15	1.5	Middle	0.8-1.2	1.52	5	4540	5190	2800	3700	2196
D20	2	Middle	0.8-1.2	1.95	5	3467	4052	2100	2600	1100

### Drawing



### Products Show



## Electric Stainless Steel Grab Bucket

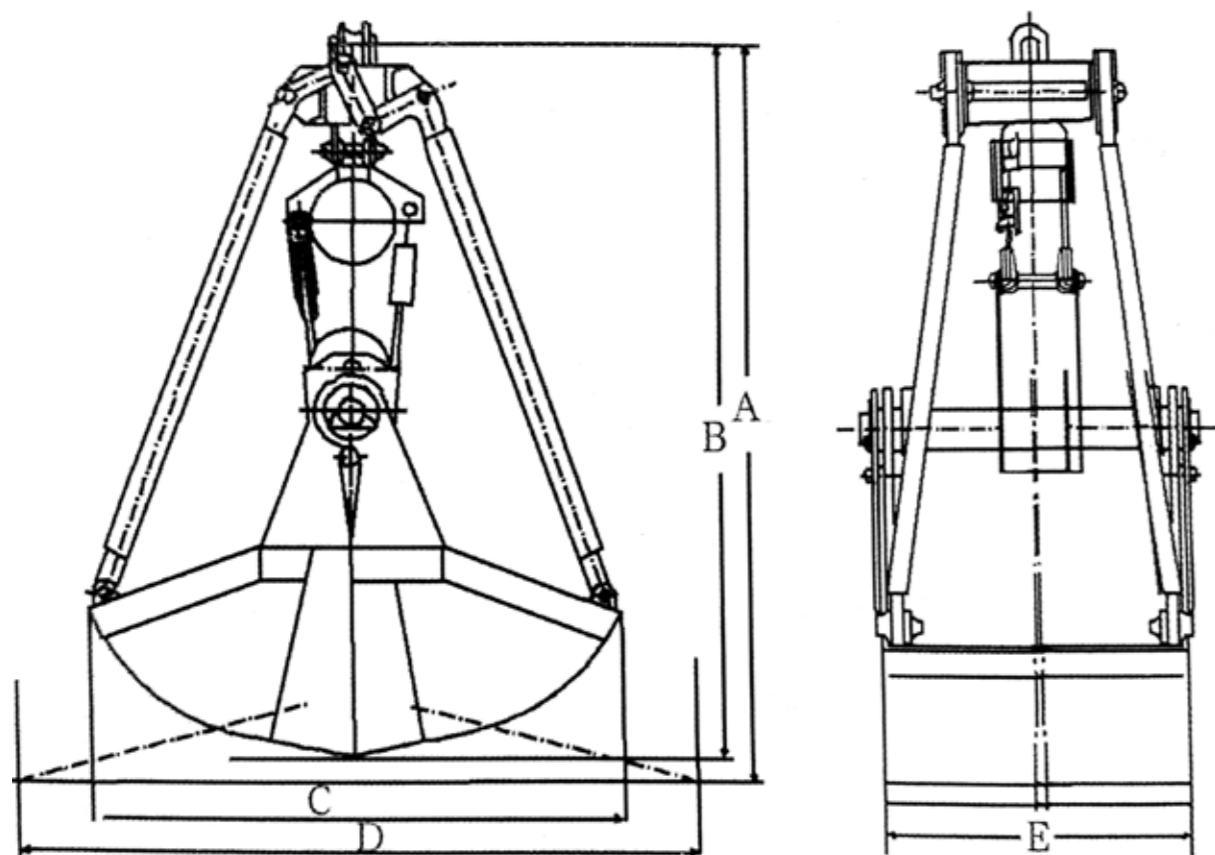


DBZ Grab is specially designed for brewing industry, such as zymogenic, soy sauce. Using DBZ type grab bucket, you can't only reduce the labor intensity of workers, but also contribute to the sanitation of workshop.

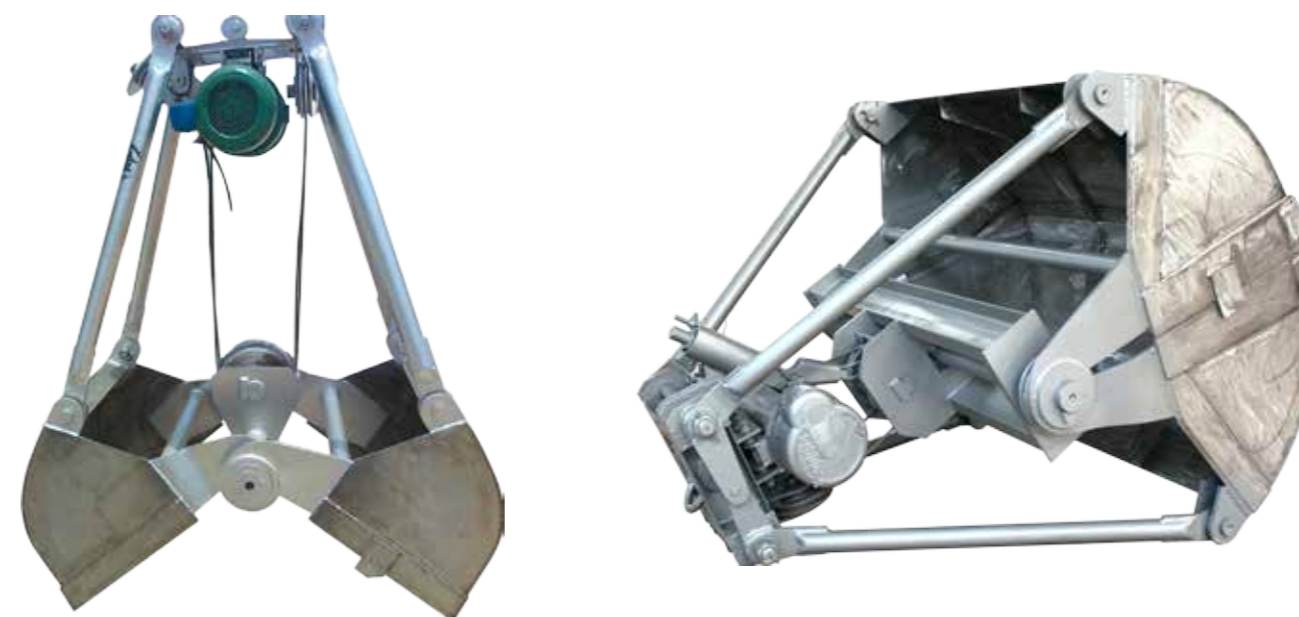
### Specifications

Model	Type	Crane capacity - t	Rate of material - t / m <sup>3</sup>	Dead weight - t	Volume -m <sup>3</sup>	Material	Size -mm				
							A	B	C	D	E
DBZ250	Light	1	0.9	0.7	0.3	Stainless steel	1830	1650	1100	1500	700
DBZ400	Light	2	0.9	0.82	0.5	Stainless steel	2080	1830	1200	1600	800
DBZ600	Light	2	0.9	0.95	0.75	Stainless steel	2230	2020	1350	1800	1000
DBZ800	Light	3	0.9	1.2	1.0	Stainless steel	2420	2240	1600	2200	1060
DBZ900	Light	3	0.9	1.4	1.5	Stainless steel	2420	2240	1600	2200	1400

### Drawing



### Products Show



## Electric Motor Orange Grab Bucket



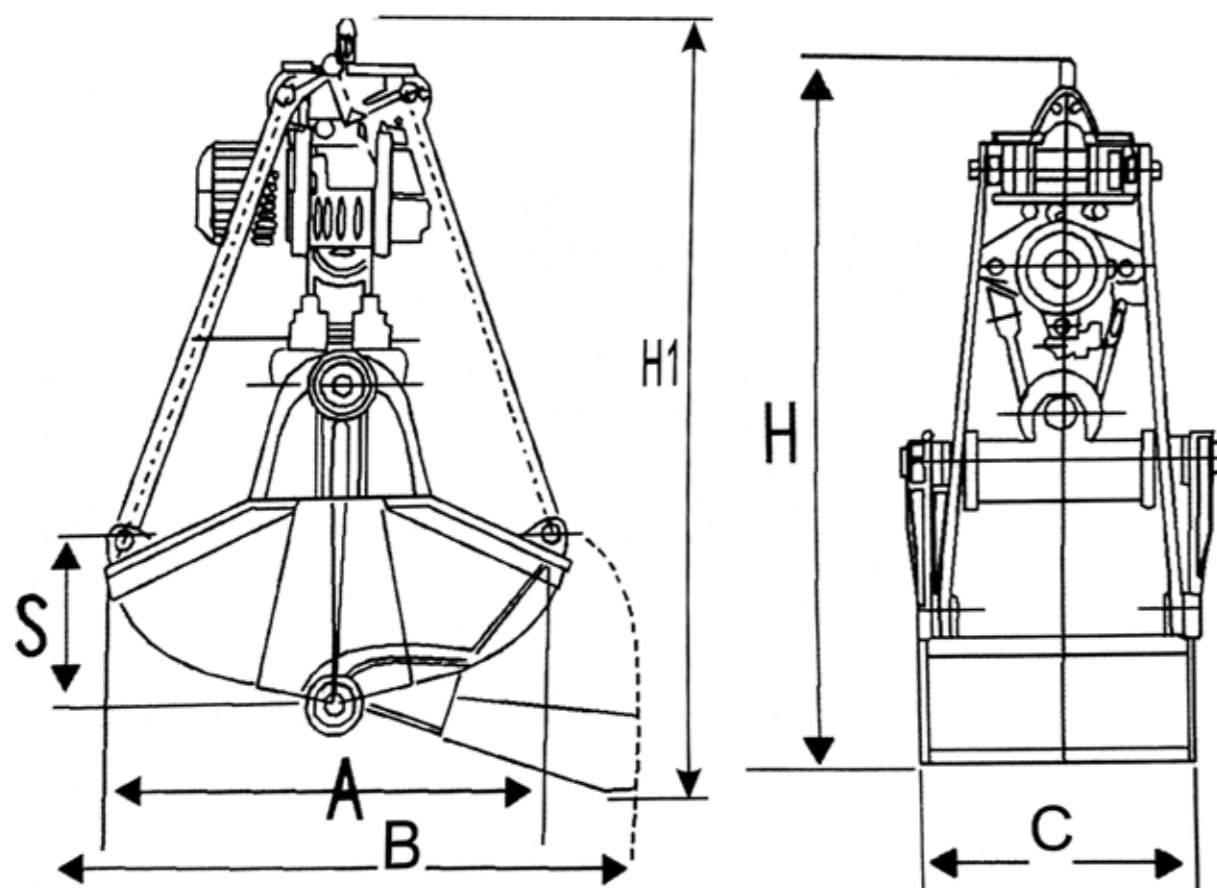
Electric motor grab motor are often used on all kinds of crane. The grab can be opened and closed by pendent and wireless remote controller to load and unload material in any height. Productivity is higher than the single rope grab, easy to operate, loading and unloading efficiency higher. Apply to grab all kinds of loose material.

Note: Prohibited to work underwater.

### Specifications

Model	Volume -m <sup>3</sup>	Type	Rate of material	Dead weight - t	Capacity of crane	Size -mm			Power - KW
						A	B	C	
LY0303	0.3	Heavy	2	1.05	3	1850	1300	1650	3
LY0305	0.5	Heavy	2	1.8	3	2320	1790	2360	4.5
LY0507	0.75	Heavy	2	2.15	5	2430	1975	2540	7.5
LY0510	1.0	Middle	1.5	2.25	5	2610	2190	2760	11
LY0515	1.5	Middle	1.5	2.36	5	2730	2390	2830	15
LY1030	3.0	Middle	1.5	4.67	10	4250	3000	3420	22

### Drawing



### Products Show

