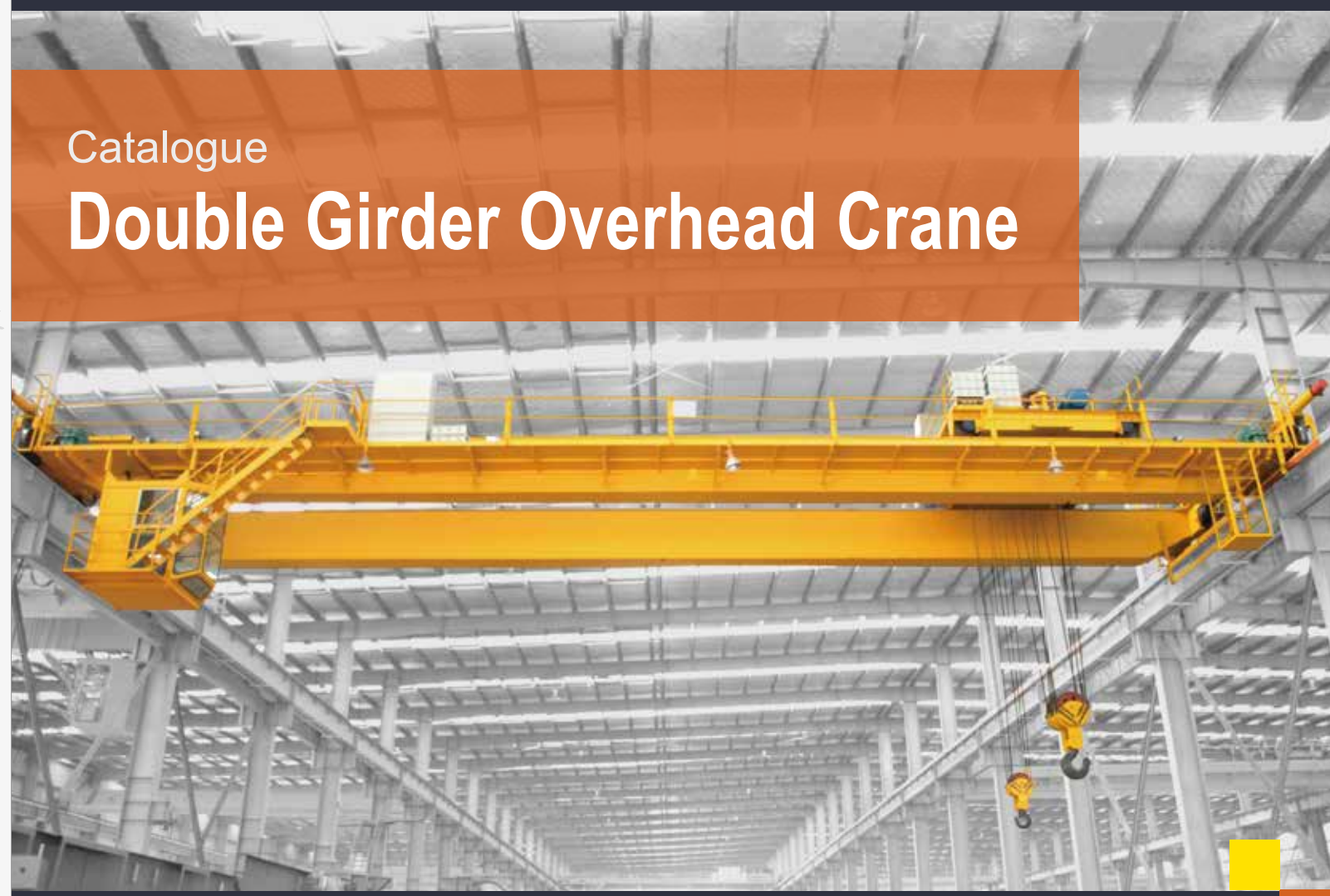




Catalogue

# Double Girder Overhead Crane



UP TO NOW, WE EXPORT MORE THAN **50** COUNTRIES

## HEHAN ZOKE CRANE CO., LTD

EMAIL: [sales@zokecrane.com](mailto:sales@zokecrane.com)

TEL: +86 373-3872-232

FAX: +86 373-5259-699

WEB: [www.zoke-crane.com](http://www.zoke-crane.com)

[www.zokecrane.com](http://www.zokecrane.com)

ADDRESS: Changnao Industrial District, Xinxiang, Henan China

## HEHAN ZOKE CRANE CO., LTD

[www.zokecrane.com](http://www.zokecrane.com)

# ABOUT ZokeCRANE

## Quality Is Our Top Priority

Zoke CRANE is ISO9001-2008 registered. This means we actively monitor every part of our business, conducting monthly evaluations that cover everything from customer service to delivery times.

## Technical Innovation Is Our Development Concept

Zoke CRANE has been constantly carrying out technological innovation for many years, communicating and cooperating with internationally renowned enterprises, actively introducing high-tech, and pushing the Zoke brand to the international market. Develop new products to meet the market demand for high-end products, market-oriented, based on integrity, take the road of technological innovation.

## Service Is The Basis Of Our Survival

It is our aim to improve the production efficiency of customers. Customized and OEM accepted We provide professional consultant, sales, design, production, installation and commissioning, maintenance for customers worldwide.



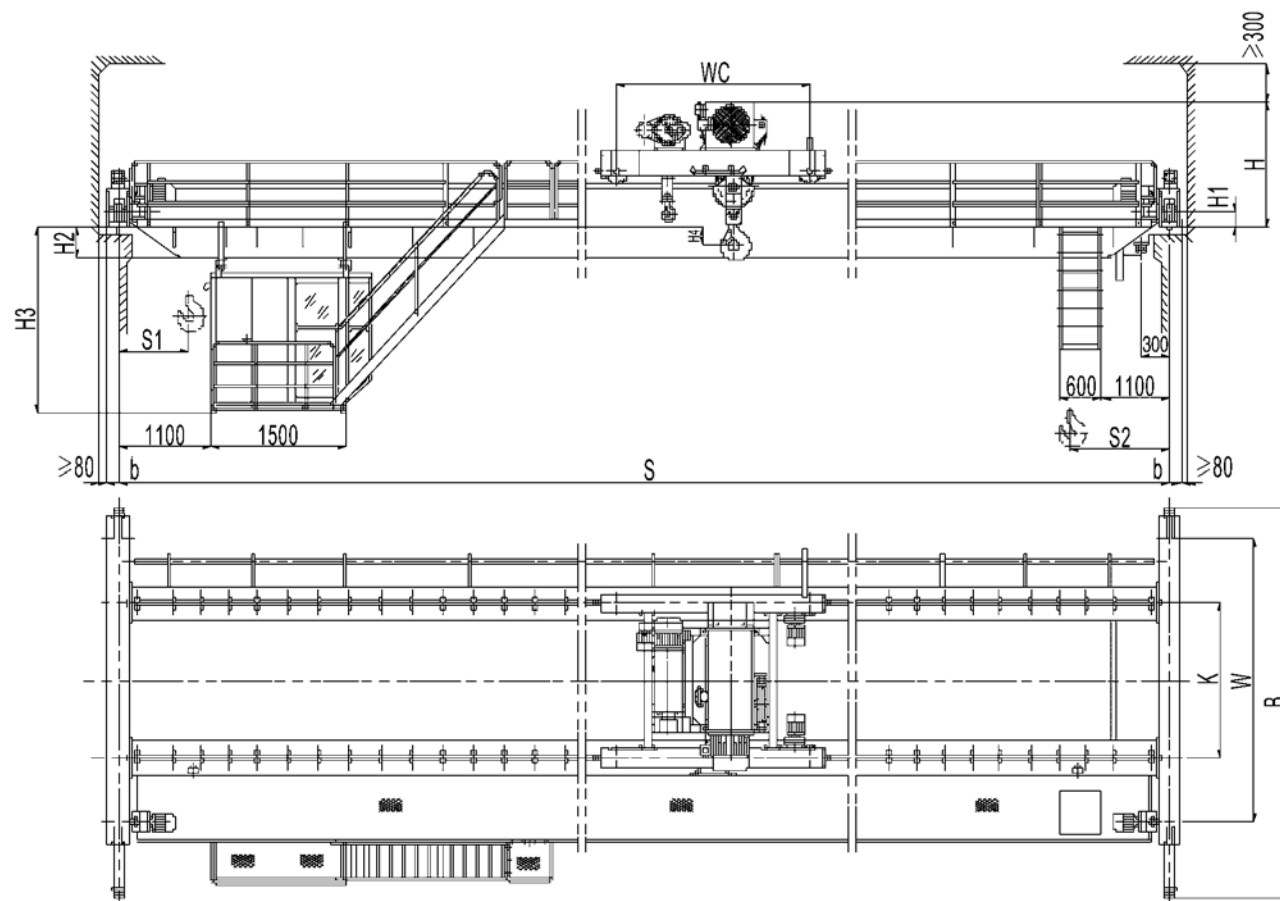
# CONTENT

LH型电动葫芦桥式起重机.....	01
LH Model Double Girder Overhead Crane	
简要介绍    A Brief Introduction .....	01
技术参数    Parameters Table .....	02
QD型吊钩桥式起重机.....	07
QD Model Double Girder Overhead Crane	
简要介绍    A Brief Introduction .....	07
技术参数    Parameters Table .....	08
LHB型防爆双梁桥式起重机.....	20
LHB Model Explosion Proof Double Girder Overhead Crane	
简要介绍    A Brief Introduction .....	20
技术参数    Parameters Table .....	21
QB型防爆双梁桥式起重机.....	27
QB Model Explosion Proof Double Girder Overhead Crane	
简要介绍    A Brief Introduction .....	27
技术参数    Parameters Table .....	28
QZ型抓斗桥式起重机.....	32
QZ Model Double Girder Overhead Crane With Grab	
简要介绍    A Brief Introduction .....	32
技术参数    Parameters Table .....	33
QC型电磁桥式起重机 .....	35
QC Model Double Girder Overhead Crane With Electro Magnet	
简要介绍    A Brief Introduction .....	35
技术参数    Parameters Table .....	36
QCL型电磁挂梁桥式起重机.....	39
QCL Model Overhead Crane With Electromagnetic Spreader Beam	
简要介绍    A Brief Introduction .....	39
技术参数    Parameters Table .....	40
QL型电动旋转电磁桥式起重机.....	49
QL Model Overhead Crane With Electric Rotation Function	
简要介绍    A Brief Introduction .....	49
技术参数    Parameters Table .....	50
QDY/YZ 型铸造冶金桥式起重机.....	57
QDY/YZ Model Overhead Crane For Casting, Foundry And Metallurgy	
简要介绍    A Brief Introduction .....	57
技术参数    Parameters Table .....	58



# LH型电动葫芦桥式起重机

## LH Model Double Girder Overhead Crane



### 简介 A Brief Introduction

LH型电动葫芦桥式起重机具有外形尺寸紧凑，建筑净空高度低，自重轻，轮压小等优点。适用于机械加工车间，冶金厂辅助车间，仓库，料场，电站等的转运，装配，检修和装卸作业；它也可以代替普通双梁桥式起重机，用于轻纺工业和食品工业的生产车间。其工作类型为轻级和中级，工作环境温度为-25℃~40℃，禁止在易燃易爆，腐蚀性介质环境中使用。

LH model double girder overhead crane has features such as: compact design, load headroom, light dead weight and small wheel load. They are applicable to the transfer, assembly, check and repair as well as load and unload at mechanic processing workshop, subsidiary workshop of metallurgical mills, warehouse, goods yard and power station. They can also be used at production workshop in light textiles or food industry. The working ambient temperature is -25℃~40℃. It is forbidden to work in environment with combustible, explosive or corrosive media.

本产品设有地面和操作室操作两种形式。操作室有开式和闭式两种。可根据实际情况分为左和右面安装两种形式。入门方向有侧面，端面，顶部三种。以满足用户在各种不同需要的情况下进行选择。

There are two control ways: pendent and cabinet. The cabin is divided into open type and closed type. The cabinet can be installed on the left or right according to actual conditions. The operator can enter the cabinet from one side, rear or top, which depends on the different user's requirements.

### 技术参数 Technical Data

额定起重量 (t)	QSWL Gn Rated Lifting Capacity	32/10						
操纵形式	Operational Method	地面操纵 Ground Controlling 操纵室 Room Controlling						
<b>速度 Speed (m/min)</b>								
主钩起升	Main. Hook Lifting	3 (0.3/3)						
副钩起升	Aux. Hook Lifting	7 (7/0.7)						
小车运行	Crab Travelling	20						
大车运行-地面	Trolley Travelling - Ground	20						
大车运行-操纵室	Trolley Travelling - Room	45						
<b>电动机 Motor (型号/kw)</b>								
主钩起升	Main. Hook Lifting	ZDX 62-6/18.5 (ZDS2.2/18.5)						
副钩起升	Aux. Hook Lifting	ZD1 51-4/13 (ZDS1-1.5/13)						
小车运行	Crab Travelling	YDE 100L1-4/2.2*2						
大车运行-地面	Trolley Travelling-ground	YDE 100L2-4/3*2						
大车运行-操纵室	Trolley Travelling-room	YZRE 132M1-4/4*2	ZDR 125-4/4.6*2					
电动葫芦	Electric Hoist	WH164; CD1(MD1)						
起升高度 (m)	Lifting Height	9、12、16、24						
工作制度	Working Track Recommended	A3-A5						
电源	Power Source	3-phase A.C.三相交流; 50HZ; 380V						
荐用大车道轨	Trolley Track Recommended	43KG/M						
跨度 (m)	Span	7.5	10.5	13.5	16.5	19.5	22.5	25.5
起重机最大轮压 (KN)	Max. Wheel Pressure	167	184	196	206	215	224	233
自重-地面操纵 (KG)	Crane Weight - Ground Controlling	12530	14660	16360	18870	21650	24260	27060
自重-操纵室 (KG)	Crane Weight - Room Controlling	13430	15560	17260	19770	22550	25160	27960
基本尺寸 Basic Dimensions (mm)	B	5070-5960			5572-6222			
	W	3600-4500						
	We	2200-2900						
	K	1600-2500						
	H	1900						
	H1	765						
	H2	170	270	370	470	570	670	770
	H3	2395	2495	2595	2695	2795	2895	2995
	H4	-700						
	b	230						
S1	1100							
S2	1600							

额定起重量 (t)	QSWL Gn Rated Lifting Capacity		20/5					
操纵形式	Operational Method		地面操纵 Ground Controlling 操纵室 Room Controlling					
<b>速度 Speed (m/min)</b>								
主钩起升	Main. Hook Lifting		4.2					
副钩起升	Aux. Hook Lifting		8 (8/0.8)					
小车运行	Crab Travelling		20					
大车运行-地面	Trolley Travelling - Ground		20					
大车运行-操纵室	Trolley Travelling - Room		45					
<b>电动机 Motor (型号/kw)</b>								
主钩起升	Main. Hook Lifting		ZD1 52-4/18.5					
副钩起升	Aux. Hook Lifting		ZD1 41-4/7.5 (ZDS1-0.8/7.5)					
小车运行	Crab Travelling		YDE 90L-4(D)/1.5*2					
大车运行-地面	Trolley Travelling-ground		YDE 90L-4(D)/1.5*2			YDE 100L1-4/2.2*2		
大车运行-操纵室	Trolley Travelling-room		ZDR 112L2-4/3*2			YZRE 132M1-4/4*2		
电动葫芦	Electric Hoist		WH164; CD1(MD1)					
起升高度 (m)	Lifting Height		9、12、18、24					
工作制度	Working Track Recommended		A3-A5					
电源	Power Source		3-phase A.C.三相交流; 50HZ; 380V					
荐用大车道轨	Trolley Track Recommended		43KG/M					
跨度 (m)	Span	7.5	10.5	13.5	16.5	19.5	22.5	25.5
起重机最大轮压 (KN)	Max. Wheel Pressure	118	129	135	148	156	164	169
自重-地面操纵 (KG)	Crane Weight - Ground Controlling	10500	11500	13640	15980	17700	20300	22920
自重-操纵室 (KG)	Crane Weight - Room Controlling	11200	12200	14340	16680	18400	21000	23620
基本尺寸 Basic Dimensions (mm)	B	4632-5982						
	W	3750-4500						
	We	2310-2750						
	K	1600-2500						
	H	1790						
	H1	765			850			
	H2	170	170	270	370	520	520	620
	H3	2395	2395	2495	2595	2745	2745	2845
	H4	-350						
	b	230						
S1	1100							
S2	1100							

额定起重量 (t)	QSWL Gn Rated Lifting Capacity		16/3					
操纵形式	Operational Method		地面操纵 Ground Controlling 操纵室 Room Controlling					
<b>速度 Speed (m/min)</b>								
主钩起升	Main. Hook Lifting		3.5 (3.5/0.35)					
副钩起升	Aux. Hook Lifting		8 (8/0.8)					
小车运行	Crab Travelling		20					
大车运行-地面	Trolley Travelling - Ground		20					
大车运行-操纵室	Trolley Travelling - Room		45					
<b>电动机 Motor (型号/kw)</b>								
主钩起升	Main. Hook Lifting		ZD1 51-4/13 (ZDS1-1.5/13)					
副钩起升	Aux. Hook Lifting		ZD1 32-4/4.5 (ZDS1-0.4/4.5)					
小车运行	Crab Travelling		YDE 90L-4(D)/1.5*2					
大车运行-地面	Trolley Travelling-ground		YDE 90L-4(D)/1.5*2			YDE 100L1-4/2.2*2		
大车运行-操纵室	Trolley Travelling-room		ZDR 112L1-4/2.1*2			ZDR 112L2-4/3*2		
电动葫芦	Electric Hoist		CD1(MD1)					
起升高度 (m)	Lifting Height		9、12、18、24					
工作制度	Working Track Recommended		A3-A5					
电源	Power Source		3-phase A.C.三相交流; 50HZ; 380V					
荐用大车道轨	Trolley Track Recommended		38KG/M					
跨度 (m)	Span	7.5	10.5	13.5	16.5	19.5	22.5	25.5
起重机最大轮压 (KN)	Max. Wheel Pressure	95	102	110	119	127	134	141
自重-地面操纵 (KG)	Crane Weight - Ground Controlling	7970	8610	9990	12800	15300	17540	20080
自重-操纵室 (KG)	Crane Weight - Room Controlling	8670	9310	10690	13500	16000	18240	20780
基本尺寸 Basic Dimensions (mm)	B	3500-5696						
	W	3000-4200						
	We	2000-2400						
	K	1600-2250						
	H	1450			1650			
	H1	75			765			
	H2	265	365	465	370	470	570	670
	H3	2490	2590	2690	2595	2695	2795	2895
	H4	-500			-310			
	b	120			230			
S1	1240			900				
S2	1450			1200				

额定起重量 (t)	QSWL Gn Rated Lifting Capacity	10/3						
操纵形式	Operational Method	地面操纵 Ground Controlling 操纵室 Room Controlling						
<b>速度 Speed (m/min)</b>								
主钩起升	Main. Hook Lifting	7 (7/0.7)						
副钩起升	Aux. Hook Lifting	8 (8/0.8)						
小车运行	Crab Travelling	20						
大车运行-地面	Trolley Travelling - Ground	20, 30						
大车运行-操纵室	Trolley Travelling - Room	30, 45						
<b>电动机 Motor (型号/kw)</b>								
主钩起升	Main. Hook Lifting	ZD1 51-4/13 (ZDS1-1.5/13)						
副钩起升	Aux. Hook Lifting	ZD1 32-4/4.5 (ZDS1-0.4/4.5)						
小车运行	Crab Travelling	YDE802-4/0.8*2						
大车运行-地面	Trolley Travelling-ground	YDE 90L-4(D)/1.5*2						
大车运行-操纵室	Trolley Travelling-room	ZDR 100-4/1.5*2			ZDR112L1-4/2.1*2			
电动葫芦	Electric Hoist	HC16; CD1(MD1)						
起升高度 (m)	Lifting Height	9、12、18、24						
工作制度	Working Track Recommended	A3-A5						
电源	Power Source	3-phase A.C.三相交流; 50HZ; 380V						
荐用大车道轨	Trolley Track Recommended	38KG/M						
跨度 (m)	Span	7.5	10.5	13.5	16.5	19.5	22.5	25.5
起重机最大轮压 (KN)	Max. Wheel Pressure	65	72	77	80	88	97	102
自重-地面操纵 (KG)	Crane Weight - Ground Controlling	6240	8050	9480	10450	13260	16530	18620
自重-操纵室 (KG)	Crane Weight - Room Controlling	6740	8550	9980	10950	13760	17030	19120
基本尺寸 Basic Dimensions (mm)	B	3500-5696						
	W	3000-4200						
	We	2000-2400						
	K	1600-2250						
	H	1450			1650			
	H1	75						
	H2	165	265	315	415	320	420	520
	H3	2390	2490	2540	2640	2545	2645	2745
	H4	365			565			
	b	120			230			
S1	1250			900				
S2	1400			1200				

额定起重量 (t)	QSWL Gn Rated Lifting Capacity	5						
操纵形式	Operational Method	地面操纵 Ground Controlling 操纵室 Room Controlling						
<b>速度 Speed (m/min)</b>								
主钩起升	Main. Hook Lifting	8 (8/0.8)						
副钩起升	Aux. Hook Lifting	/						
小车运行	Crab Travelling	20						
大车运行-地面	Trolley Travelling - Ground	20						
大车运行-操纵室	Trolley Travelling - Room	45						
<b>电动机 Motor (型号/kw)</b>								
主钩起升	Main. Hook Lifting	ZD1 41-4/7.5 (ZDS 0.8/7.5)						
副钩起升	Aux. Hook Lifting	/						
小车运行	Crab Travelling	YDE 802-4/0.8*2						
大车运行-地面	Trolley Travelling-ground	YDE 802-4(D)/0.8*2			YDE 90L-4(D)/1.5*2			
大车运行-操纵室	Trolley Travelling-room	ZDR 100-4/1.5*2			ZDR 112L1-4/2.1*2			
电动葫芦	Electric Hoist	CD1(MD1)						
起升高度 (m)	Lifting Height	6、9、12、18、24、30						
工作制度	Working Track Recommended	A3-A5						
电源	Power Source	3-phase A.C.三相交流; 50HZ; 380V						
荐用大车道轨	Trolley Track Recommended	38KG/M						
跨度 (m)	Span	7.5	10.5	13.5	16.5	19.5	22.5	25.5
起重机最大轮压 (KN)	Max. Wheel Pressure	39	43	48	53	59	62	71
自重-地面操纵 (KG)	Crane Weight - Ground Controlling	5230	6400	7450	8600	10560	12350	14850
自重-操纵室 (KG)	Crane Weight - Room Controlling	5730	7100	8150	9300	11260	13050	15550
基本尺寸 Basic Dimensions (mm)	B	3200-3900			3700-4200			
	W	2700-3100			3200-3600			
	We	1200-1500						
	K	1400-1800						
	H	1350			1550			
	H1	75						
	H2	165	165	165	265	365	465	370
	H3	2390	2390	2390	2490	2590	2690	2595
	H4	385			540			
	b	120			230			
S1	1200			1200				
S2	1200			1200				

# QD型吊钩桥式起重机

## QD Model Double Girder Overhead Crane

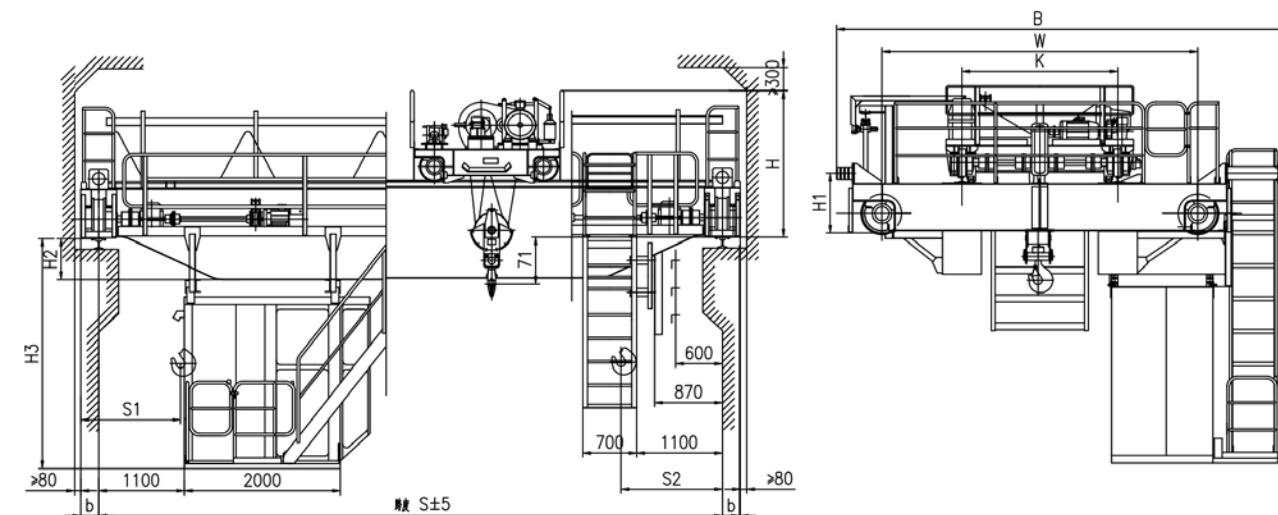


### 简介 A Brief Introduction

QD型吊钩桥式起重机主要应用于各种室内车间。根据利用登记和载荷状态不用，分为A5和A6两种工作级别。司机室平台入口方向分为侧面入口、端面入口和顶面入口三种，图示为侧面入口，箭头A所示为端面入口，没有门为顶面入口。司机室可以左侧安装也可以右侧安装，图示为左侧安装。大车导电可以用安全滑触线也可以用角钢，既可以在司机室对侧，也可以在司机室同侧。该起重机的动作操作全部在司机室内完成。

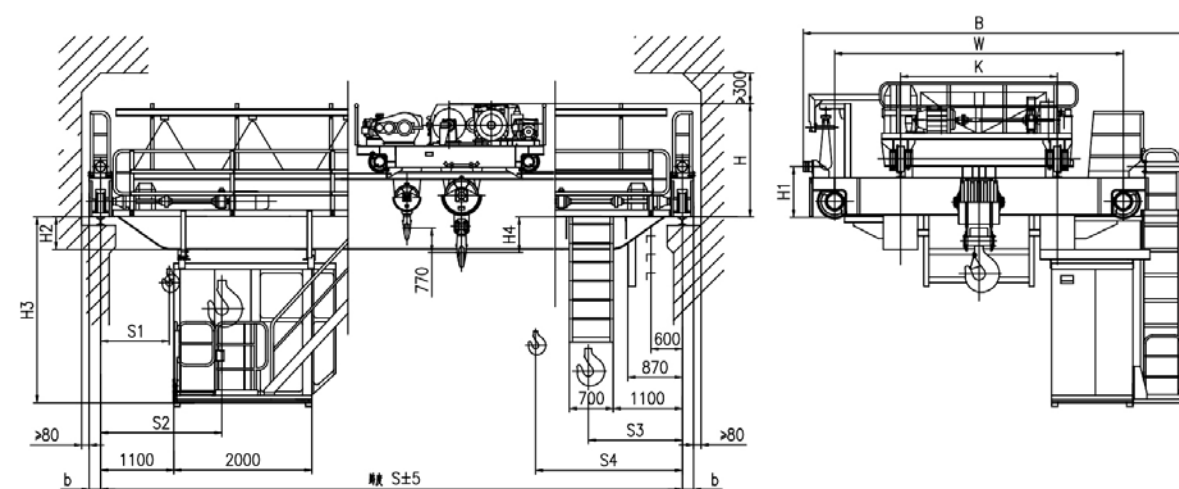
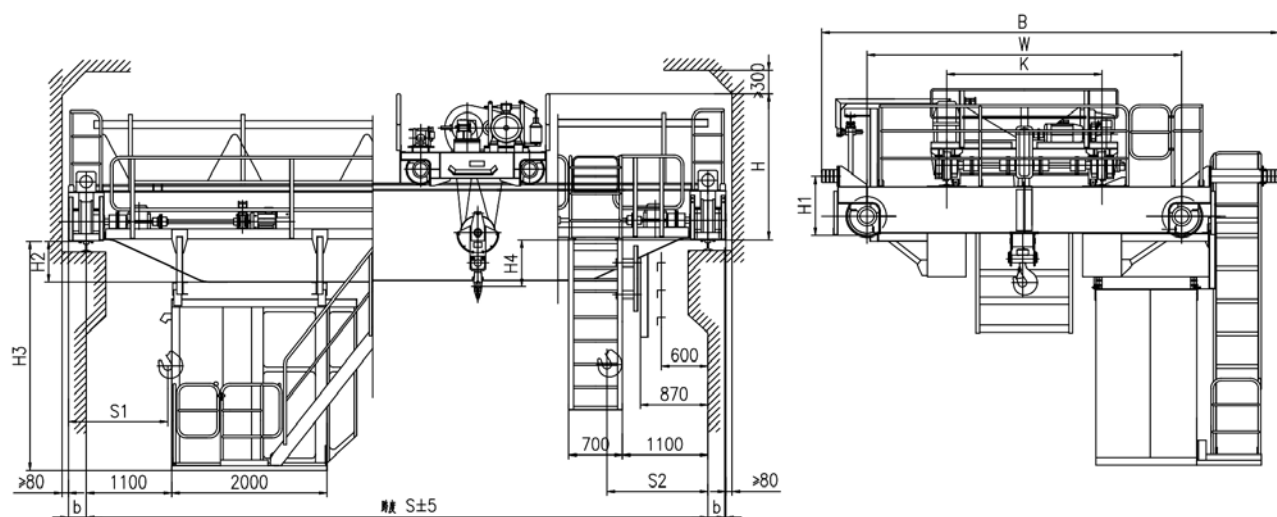
QD model double girder overhead crane is mainly used in indoor with A5 or A6 class according to the application and operation frequency. There are three entrance for cabinet: from side or from top. It can be installed at the left side or right side. The power supply way can be safety bus bar or angle iron, it can be the same side of the cabinet or opposite side. All movements of crane shall be control in Cabinet.

### 技术参数 Technical Data



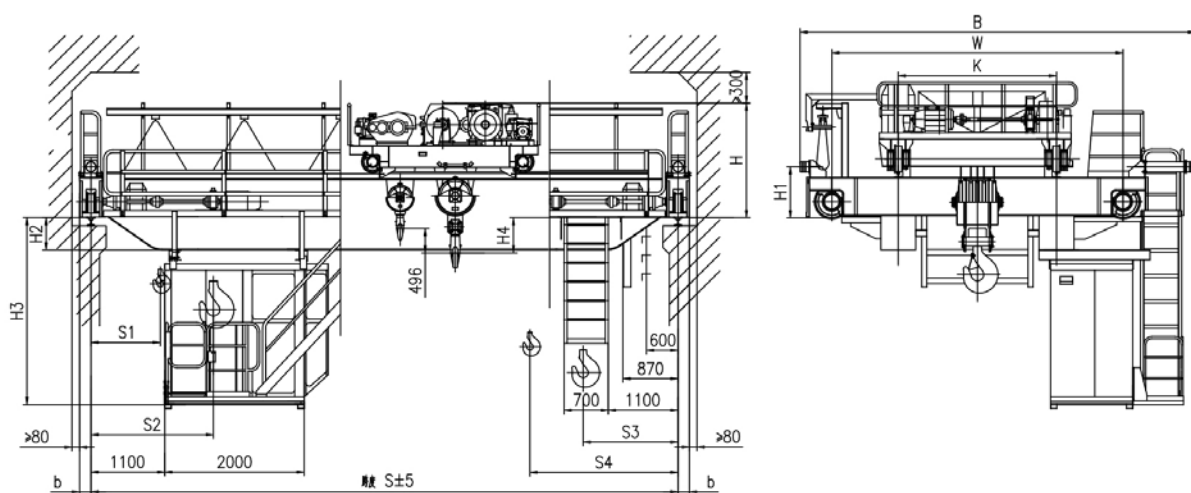
起重量 (t)	Cap	5																							
跨度 (m)	Span	10.5	13.5	16.5	19.5	22.5	25.5	28.5	31.5	10.5	13.5	16.5	19.5	22.5	25.5	28.5	31.5								
起升高度 (m)	Lifting Height	16								16															
工作制度	Duty	A5								A6															
速度 Speed (m/min)																									
起升	Hoisting	9.2								12.6															
小车运行	Crab Travelling	37.2								37.2															
大车运行	Trolley Travelling	68.4				69				90.6				92.8											
极限尺寸 Limt Dimension (mm)	S1	800																							
	S2	1250																							
	H	1763																							
	H1	765																							
主要尺寸 Main Dimensions (mm)	H2	-24	126	226	376	526	676	826	976	-24	126	226	376	526	676	826	976								
	H3	2396	2546	2646	2976	2946	3096	3246	3396	2396	2546	2646	2976	2946	3096	3246	3396								
	K	1400																							
	W	3400				3550				5000				3400				3550				5000			
	B	5224				5374				6174				5374				5378				5078			
	b	230																							
最大轮压 (KN)	Max. Wheel Loading	72	78	84	92	97	109	117	124	73	79	85	93	98	110	118	125								
电机总功率 (KW)	Span	22.8				27.4				27.8				31.8											
荐用钢轨	Crane Rail Recommended	43kg/m																							
电源	Power Supply	三相交流 3-Phase A.C. 50HZ 380V																							



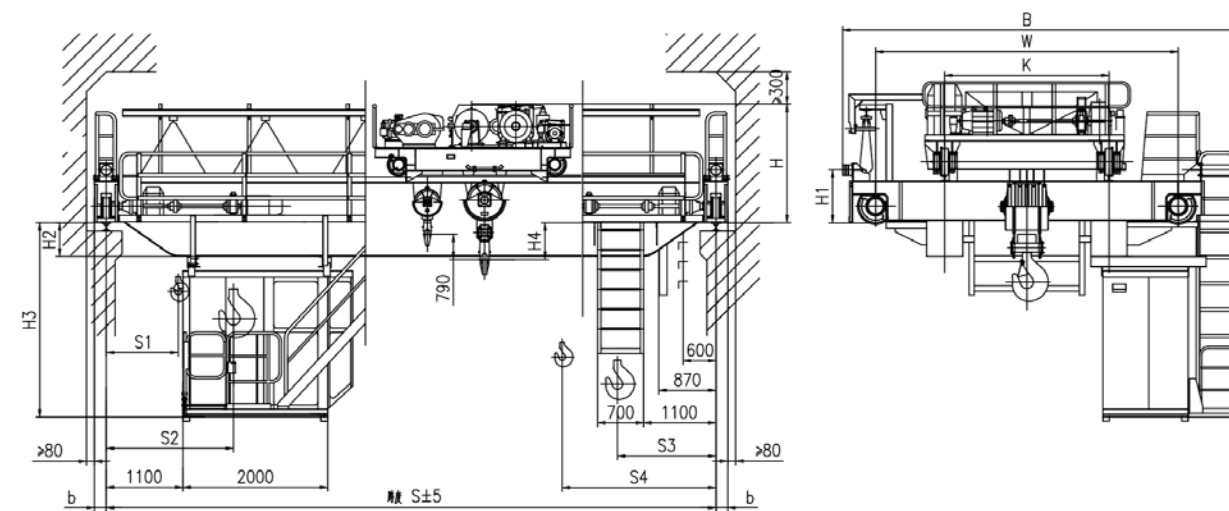


起重量 (t)	Cap	10																		
跨度 (m)	Span	10.5	13.5	16.5	19.5	22.5	25.5	28.5	31.5	10.5	13.5	16.5	19.5	22.5	25.5	28.5	31.5			
起升高度 (m)	Lifting Height	16								16										
工作制度	Duty	A5								A6										
速度 Speed (m/min)																				
起升	Hoisting	8.5								13.3										
小车运行	Crab Travelling	37.2								37.2										
大车运行	Trolley Travelling	69				70.9				92.7				93.7						
极限尺寸 Limt Dimenstion (mm)	S1	1050																		
	S2	1300																		
主要尺寸 Main Dimensions (mm)	H	1876				1926				1876				1926						
	H1	765				815				765				850						
	H2	-24	126	226	376	526	628	828	978	-24	126	226	376	526	678	828	978			
	H3	2396	2546	2646	2796	2946	3048	3248	3398	2396	2546	2646	2796	2946	3098	3248	3398			
	H4	602				552				602				552						
	K	2000																		
	W	4050				5000				4050				5000						
	B	5824				5882				6174				5974				6388		
b	230																			
最大轮压 (KN)	Max. Wheel Loading	101	108	117	122	129	141	150	158	102	109	118	123	130	143	152	160			
电机总功率 (KW)	Span	27.5				32.1				35.5				39.5						
荐用钢轨	Crane Rail Recommended	43kg/m																		
电源	Power Supply	三相交流 3-Phase A.C. 50HZ 380V																		

起重量-主钩 (t)	Cap-Main	16																							
起重量-副钩 (t)	Cap-Aux.	3.2																							
跨度 (m)	Span	10.5	13.5	16.5	19.5	22.5	25.5	28.5	31.5	10.5	13.5	16.5	19.5	22.5	25.5	28.5	31.5								
起升高度-主钩 (m)	Lifting Height-Main	16								16															
起升高度-副钩 (m)	Lifting Height-Aux.	18								18															
工作制度	Duty	A5								A6															
速度 Speed (m/min)																									
起升-主起升	Main	7.9								10.7															
起升-副起升	Aux.	11.2								11.2															
小车运行	Crab Travelling	36.3								36.3															
大车运行	Trolley Travelling	74.7				75.5				86.5				87											
极限尺寸 Limt Dimenstion (mm)	S1	1040																							
	S2	1850																							
	S3	1500																							
	S4	2310																							
主要尺寸 Main Dimensions (mm)	H	2095				2185				2095				2185											
	H1	815				905								940											
	H2	178	178	278	428	578	728	878	978	178	178	278	428	578	728	878	978								
	H3	2598	2598	2698	2848	2998	3148	3298	3398	2598	2598	2698	2848	2998	3148	3298	3398								
	H4	748				639				729				727				637				639			
	K	2000																							
	W	4000				4100				5000				4400				4400				5000			
	B	5998				5998				6438				6278				6318				6798			
	b	230				260				230				260											
	最大轮压 (KN)	Max. Wheel Loading	140	148	154	168	175	187	196	205	145	152	160	172	180	191	201	211							
电机总功率 (KW)	Span	51.1				55.5				64.5				71.5											
荐用钢轨	Crane Rail Recommended	43kg/m 或 QU70																							
电源	Power Supply	三相交流 3-Phase A.C. 50HZ 380V																							

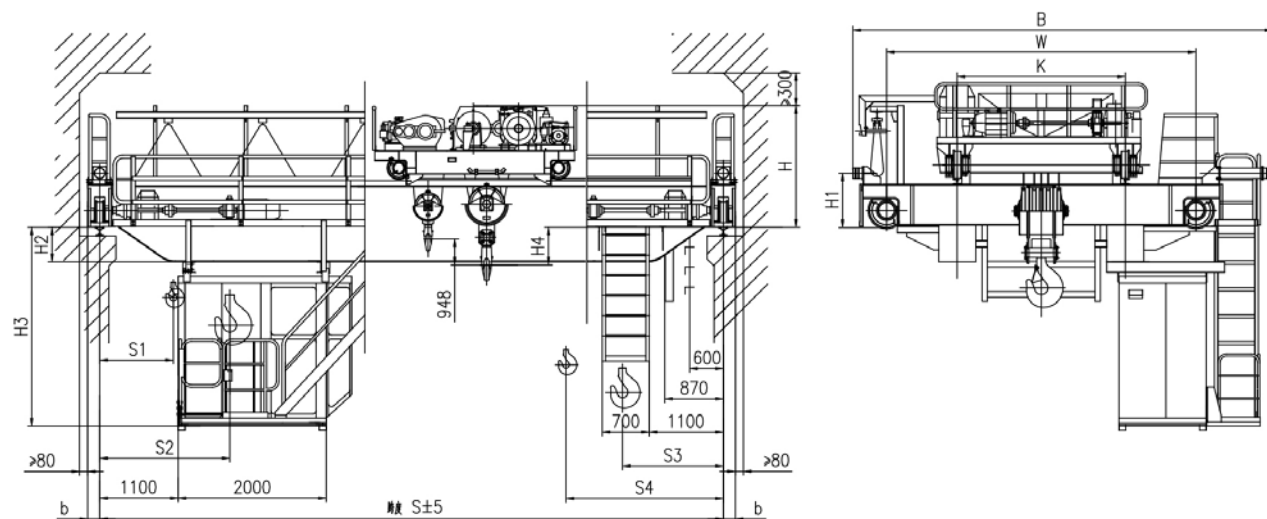


起重量-主钩 (t)	Cap-Main																	20									
起重量-副钩 (t)	Cap-Aux.																	5									
跨度 (m)	Span	10.5	13.5	16.5	19.5	22.5	25.5	28.5	31.5	10.5	13.5	16.5	19.5	22.5	25.5	28.5	31.5										
起升高度-主钩 (m)	Lifting Height-Main									12									12								
起升高度-副钩 (m)	Lifting Height-Aux.									14									14								
工作制度	Duty									A5									A6								
速度 Speed (m/min)																											
起升-主起升	Main									7.1									9.7								
起升-副起升	Aux.									9.2									9.2								
小车运行	Crab Travelling									36.6									36.6								
大车运行	Trolley Travelling					74.7					75.5					86.5			87								
极限尺寸 Limt Dimenstion (mm)	S1																	1030									
	S2																	1930									
	S3																	1420									
	S4																	2320									
主要尺寸 Main Dimensions (mm)	H					2097					2187					2097			2099			2189					
	H1					815					905					815					940						
	H2	178	178	278	428	578	728	878	978	178	180	280	430	580	730	880	980										
	H3	2598	2598	2698	2848	2998	3148	3298	3398	2598	2600	2700	2850	3000	3150	3300	3400										
	H4					720					720					720					718						
	K																	2000									
	W					4000					4100					5000					4400			5000			
	B					5998					5998					6438					6278			6188			6798
	b					230					260					230					260						
	最大轮压 (KN)	Max. Wheel Loading	162	169	178	191	199	211	222	231	167	174	183	197	205	218	229	238									
电机总功率 (KW)	Span					55.6					60					69					76						
荐用钢轨	Crane Rail Recommended																	43kg/m 或 QU70									
电源	Power Supply																	三相交流 3-Phase A.C. 50HZ 380V									

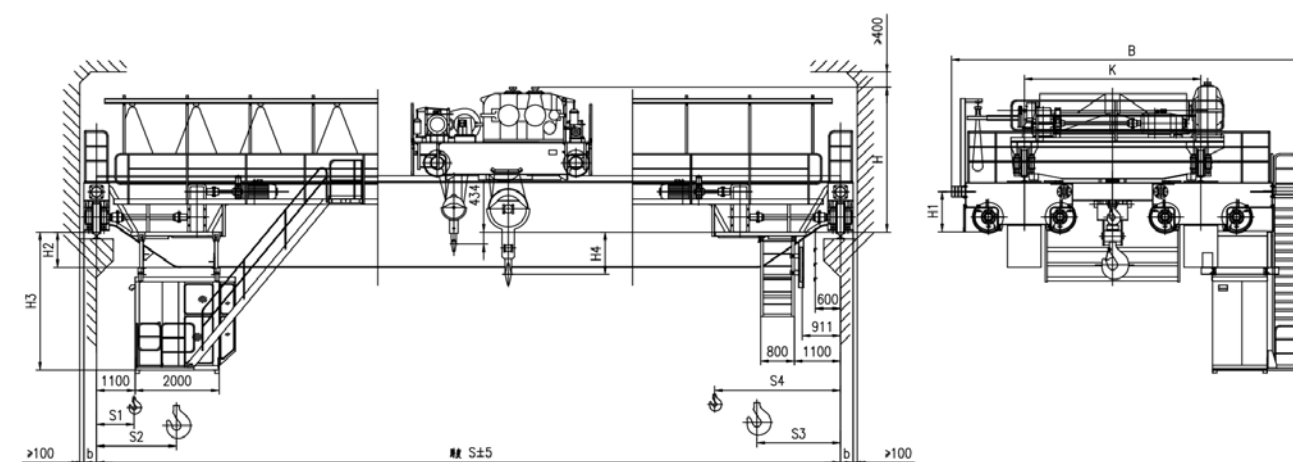


起重量-主钩 (t)	Cap-Main																	32									
起重量-副钩 (t)	Cap-Aux.																	5									
跨度 (m)	Span	10.5	13.5	16.5	19.5	22.5	25.5	28.5	31.5	10.5	13.5	16.5	19.5	22.5	25.5	28.5	31.5										
起升高度-主钩 (m)	Lifting Height-Main									16									16								
起升高度-副钩 (m)	Lifting Height-Aux.									18									18								
工作制度	Duty									A5									A6								
速度 Speed (m/min)																											
起升-主起升	Main									6.3									7.8								
起升-副起升	Aux.									9.2									9.2								
小车运行	Crab Travelling									29.8									29.8								
大车运行	Trolley Travelling					64.6					65.3					89											
极限尺寸 Limt Dimenstion (mm)	S1																	1070									
	S2																	2050									
	S3																	1700									
	S4																	2680									
主要尺寸 Main Dimensions (mm)	H					2347					2349					2479					2347			2351			2481
	H1					905					1035					905					1070						
	H2	190	240	390	540	690	840	940	1040	190	242	392	542	692	842	942	1042										
	H3	2610	2660	2810	2960	3110	3260	3360	3460	2610	2662	2812	2962	3112	3262	3362	3462										
	H4					705					703					705					701						
	K																	2500									
	W					4650					4700					5000					4650			4700			5000
	B					6478					6628					6928					6588			6608			6828
	b					260					300					260					300						
	最大轮压 (KN)	Max. Wheel Loading	236	250	262	277	289	305	316	327	240	254	267	284	296	311	321	333									
电机总功率 (KW)	Span					78.3					87.3					96.3											
荐用钢轨	Crane Rail Recommended																	43kg/m 或 QU70									
电源	Power Supply																	三相交流 3-Phase A.C. 50HZ 380V									

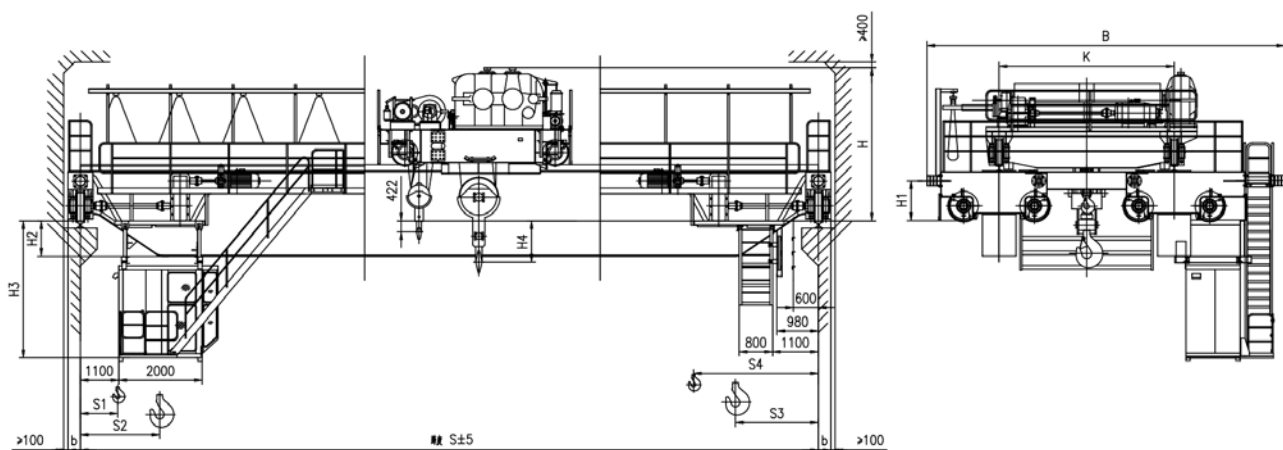




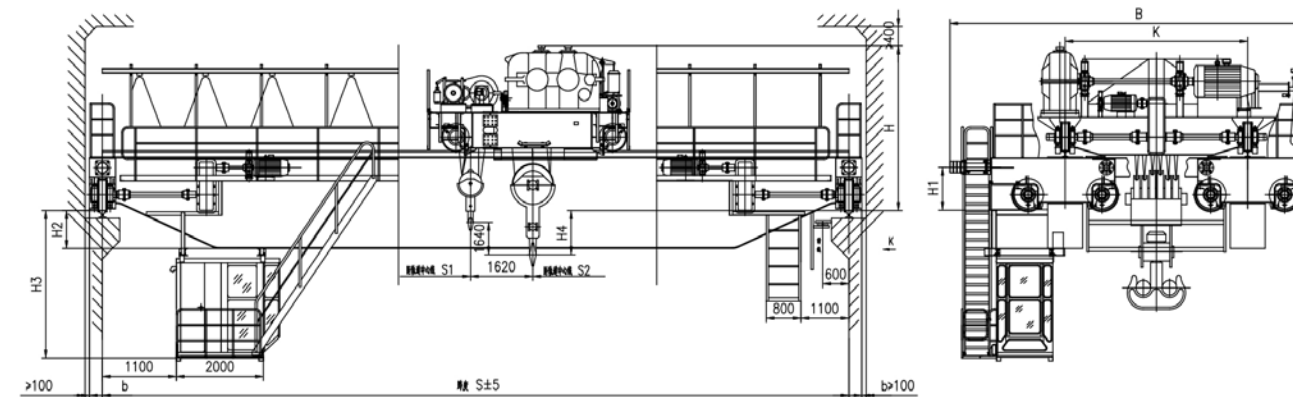
起重量-主钩 (t)	Cap-Main																	50			
起重量-副钩 (t)	Cap-Aux.																	10			
跨度 (m)	Span	10.5	13.5	16.5	19.5	22.5	25.5	28.5	31.5	10.5	13.5	16.5	19.5	22.5	25.5	28.5	31.5				
起升高度-主钩 (m)	Lifting Height-Main									12									12		
起升高度-副钩 (m)	Lifting Height-Aux.									16									16		
工作制度	Duty									A5									A6		
速度 Speed (m/min)																					
起升-主起升	Main									5.9									7.8		
起升-副起升	Aux.									8.5									8.5		
小车运行	Crab Travelling									31									31		
大车运行	Trolley Travelling					75					76					75					76.4
极限尺寸 Limt Dimenstion (mm)	S1																	1005			
	S2																	2200			
	S3																	2000			
	S4																	3195			
主要尺寸 Main Dimensions (mm)	H					2746					2752	2746	2748					2754			
	H1					1055					1090					1055	1090				
	H2	194	246	396	252	402	552	702	802	194	248	398	254	404	554	704	804				
	H3	2614	2666	2816	2672	2822	2972	3122	3222	2614	2668	2818	2674	2824	2974	3124	3224				
	H4					1020					1014	1020	1018					1012			
	K																	2500			
	W					4800					5000					4800	5000				
	B					6828					6858	7058					6828	6858	7058		
	b																	300			
	最大轮压 (KN)	Max. Wheel Loading	332	354	373	385	404	421	434	449	335	357	377	395	410	427	440	455			
电机总功率 (KW)	Span									115.5									131.5	139.5	
荐用钢轨	Crane Rail Recommended																	QU80 或 方钢100			
电源	Power Supply																	三相交流 3-Phase A.C. 50HZ 380V			



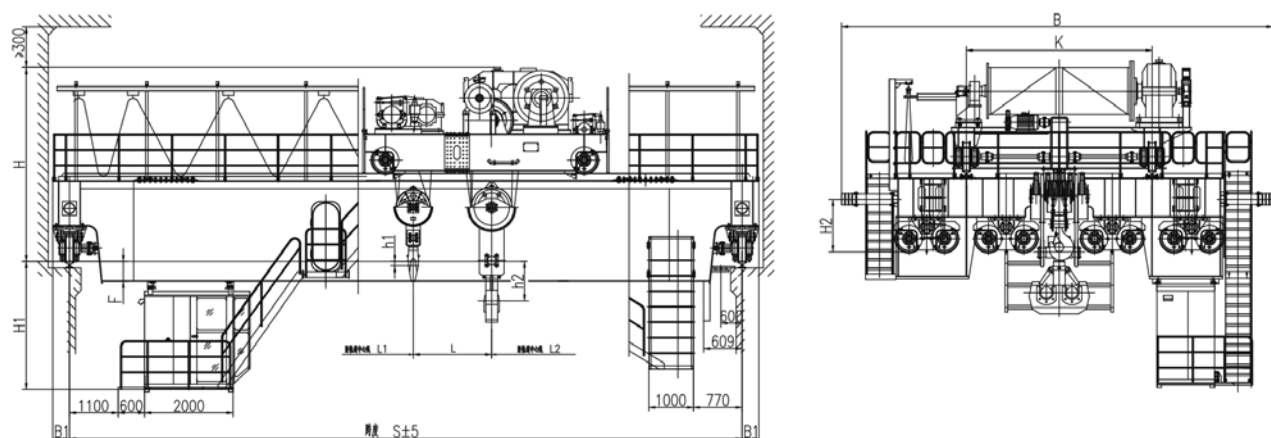
起重量-主钩 (t)	Cap-Main																	75		
起重量-副钩 (t)	Cap-Aux.																	20		
跨度 (m)	Span	13.5	16.5	19.5	22.5	25.5	28.5	31.5	13.5	16.5	19.5	22.5	25.5	28.5	31.5					
起升高度-主钩 (m)	Lifting Height-Main									20										
起升高度-副钩 (m)	Lifting Height-Aux.									22										
工作制度	Duty									A5									A6	
速度 Speed (m/min)																				
起升-主起升	Main									3.8									5	
起升-副起升	Aux.									7.2									7.2	
小车运行	Crab Travelling									38.4									38.4	
大车运行	Trolley Travelling					53.9					77.8					67				
极限尺寸 Limt Dimenstion (mm)	S1																	1015		
	S2																	3260		
	S3																	2475		
	S4																	3720		
主要尺寸 Main Dimensions (mm)	H					3302	3302	3306	3304	3308	3310	3302	3304	3308	3306	3310	3312			
	H1																	950		
	H2	290	440	542	546	844	844	850	292	442	544	548	846	850	852					
	H3	2710	2860	2962	2966	3264	3268	3270	2712	2862	2964	2968	3266	3270	3272					
	H4	872	872	872	868	870	866	864	870	870	868	864	866	862	860					
	K																	4400		
	B																	8828		
	b																	300		
	最大轮压 (KN)	Max. Wheel Loading	255	268	278	290	302	309	310	257	271	282	294	303	314	322				
	电机总功率 (KW)	Span									128									136
荐用钢轨	Crane Rail Recommended																	QU100		
电源	Power Supply																	三相交流 3-Phase A.C. 50HZ 380V		



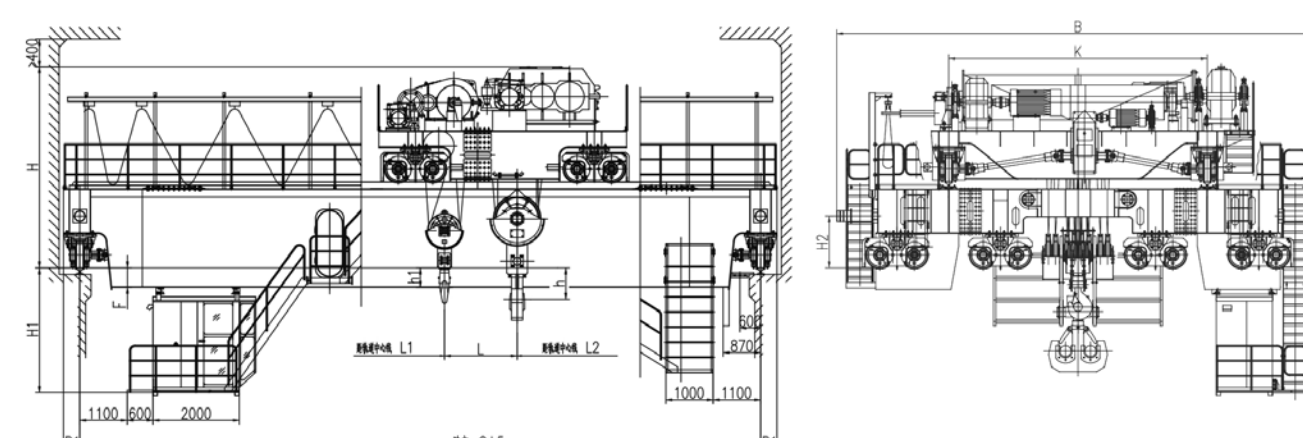
起重量-主钩 (t)	Cap-Main															100	
起重量-副钩 (t)	Cap-Aux.															20	
跨度 (m)	Span	13	16	19	22	25	28	31	13	16	19	22	25	28	31		
起升高度-主钩 (m)	Lifting Height-Main	18							18								
起升高度-副钩 (m)	Lifting Height-Aux.	20							20								
工作制度	Duty	A5							A6								
速度 Speed (m/min)																	
起升-主起升	Main	3.1							3.9								
起升-副起升	Aux.	7.2							7.2								
小车运行	Crab Travelling	33.9							33.9								
大车运行	Trolley Travelling	61.7							61.8								
极限尺寸 Limt Dimenstion (mm)	S1															985	
	S2															2300	
	S3															2650	
	S4															3965	
主要尺寸 Main Dimensions (mm)	H	3434	3434	3436	3442	3442	3444	3446	3434	3436	3438	3444	3444	3446	3448		
	H1	950															
	H2	538	540	542	548	848	850	952	540	542	544	550	850	852	954		
	H3	2958	2960	2962	2968	3268	3270	3372	2960	2962	2964	2970	3270	3272	3374		
	H4	1330	1330	1328	1322	1322	1320	1318	1330	1328	1326	1320	1320	1318	1316		
	K	4400															
	B	8868															
	b	310															
最大轮压 (KN)	Max. Wheel Loading	320	335	350	365	376	386	397	321	338	350	367	380	390	400		
电机总功率 (KW)	Span	136				154				158				174			
荐用钢轨	Crane Rail Recommended	QU100															
电源	Power Supply	三相交流 3-Phase A.C. 50HZ 380V															



起重量-主钩 (t)	Cap-Main															125	
起重量-副钩 (t)	Cap-Aux.															32	
跨度 (m)	Span	13	16	19	22	25	28	31	13	16	19	22	25	28	31		
起升高度-主钩 (m)	Lifting Height-Main	18							18								
起升高度-副钩 (m)	Lifting Height-Aux.	20							20								
工作制度	Duty	A5							A6								
速度 Speed (m/min)																	
起升-主起升	Main	3.5							3.6								
起升-副起升	Aux.	7.5							7.5								
小车运行	Crab Travelling	33							33								
大车运行	Trolley Travelling	59.56				59.2				59.7				67			
极限尺寸 Limt Dimenstion (mm)	S1															1200	
	S2															2500	
主要尺寸 Main Dimensions (mm)	H	3676	3676	3680	3682	3686	3686	3688	3676	3678	3682	3684	3688	3688	3689		
	H1	950															
	H2	540	542	846	848	852	1052	1254	542	544	848	850	854	1054	1255		
	H3	2960	2962	3266	3268	3272	3472	3674	2962	2964	3268	3270	3274	3474	3675		
	H4	1560	1560	1556	1554	1556	1550	1548	1560	1588	1554	1552	1548	1548	1547		
	K	4400															
	B	8868				9008				8868				9008			
	b	310															
最大轮压 (KN)	Max. Wheel Loading	388	408	430	445	459	470	492	390	410	432	445	462	476	489		
电机总功率 (KW)	Span	179.5				197.5				194.5				210.5			
荐用钢轨	Crane Rail Recommended	QU100															
电源	Power Supply	三相交流 3-Phase A.C. 50HZ 380V															

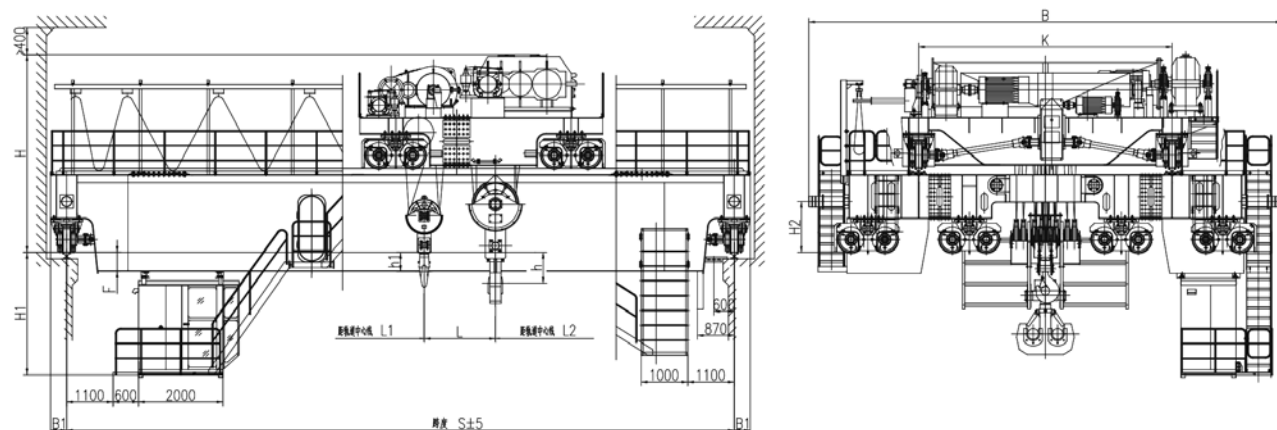


起重量-主钩 (t)	Cap-Main	150												160			
起重量-副钩 (t)	Cap-Aux.	32												32			
跨度 (m)	Span	13	16	19	22	25	28	31	13	16	19	22	25	28	31		
起升高度-主钩 (m)	Lifting Height-Main	22												20			
起升高度-副钩 (m)	Lifting Height-Aux.	24												22			
工作制度	Duty	A5												A5			
速度 Speed (m/min)																	
起升-主钩	Main	3.7												3.2			
起升-副钩	Aux.	7.5												5.9			
小车运行	Crab Travelling	40												22.5			
大车运行	Trolley Travelling	68												57			
极限尺寸 Limt Dimenstion (mm)	L1	980												1392			
	L2	2500												2727			
	L	1700												1825			
	h2	1200												535		533	
	h1	50												240		238	
主要尺寸 Main Dimensions (mm)	H	4600												4496		4498	
	H1	3000				3150				2857		2957					
	B	9900												9900			
	K	4600												4400			
	B1	400												385			
最大轮压 (KN)	Max. Wheel Loading	500				650				437				537			
		262	283	294	304	312	319	326	272	293	300	315	324	331	338		
电机总功率 (KW)	Span	196	196	208	208	216	216	232				260					
荐用钢轨	Crane Rail Recommended	QU120												QU120			
电源	Power Supply	三相交流 3-Phase A.C. 50HZ 380V												三相交流 3-Phase A.C. 50HZ 380V			



起重量-主钩 (t)	Cap-Main	200												250			
起重量-副钩 (t)	Cap-Aux.	50												30			
跨度 (m)	Span	13	16	19	22	25	28	31	13	16	19	22	25	28	31		
起升高度-主钩 (m)	Lifting Height-Main	20												20			
起升高度-副钩 (m)	Lifting Height-Aux.	22												22			
工作制度	Duty	A5												A5			
速度 Speed (m/min)																	
起升-主钩	Main	2.6												2.2			
起升-副钩	Aux.	7.7												7.7			
小车运行	Crab Travelling	32												32			
大车运行	Trolley Travelling	48												50			
极限尺寸 Limt Dimenstion (mm)	L1	1600												1600			
	L2	2800												3100			
	L	2000												2000			
	h	1500												1800			
	h1	700												1000			
主要尺寸 Main Dimensions (mm)	H	5300												5300			
	H1	2740				2890				3150		3300					
	B	11200												12000			
	K	5000												6000			
	B1	400												450			
最大轮压 (KN)	Max. Wheel Loading	320				470				650				800			
		326	344	358	372	390	400	410	356	370	380	408	430	440	450		
电机总功率 (KW)	Span	239	239	263	263	263	279	279	239	239	263	263	263	279	279		
荐用钢轨	Crane Rail Recommended	QU120												QU120			
电源	Power Supply	三相交流 3-Phase A.C. 50HZ 380V												三相交流 3-Phase A.C. 50HZ 380V			

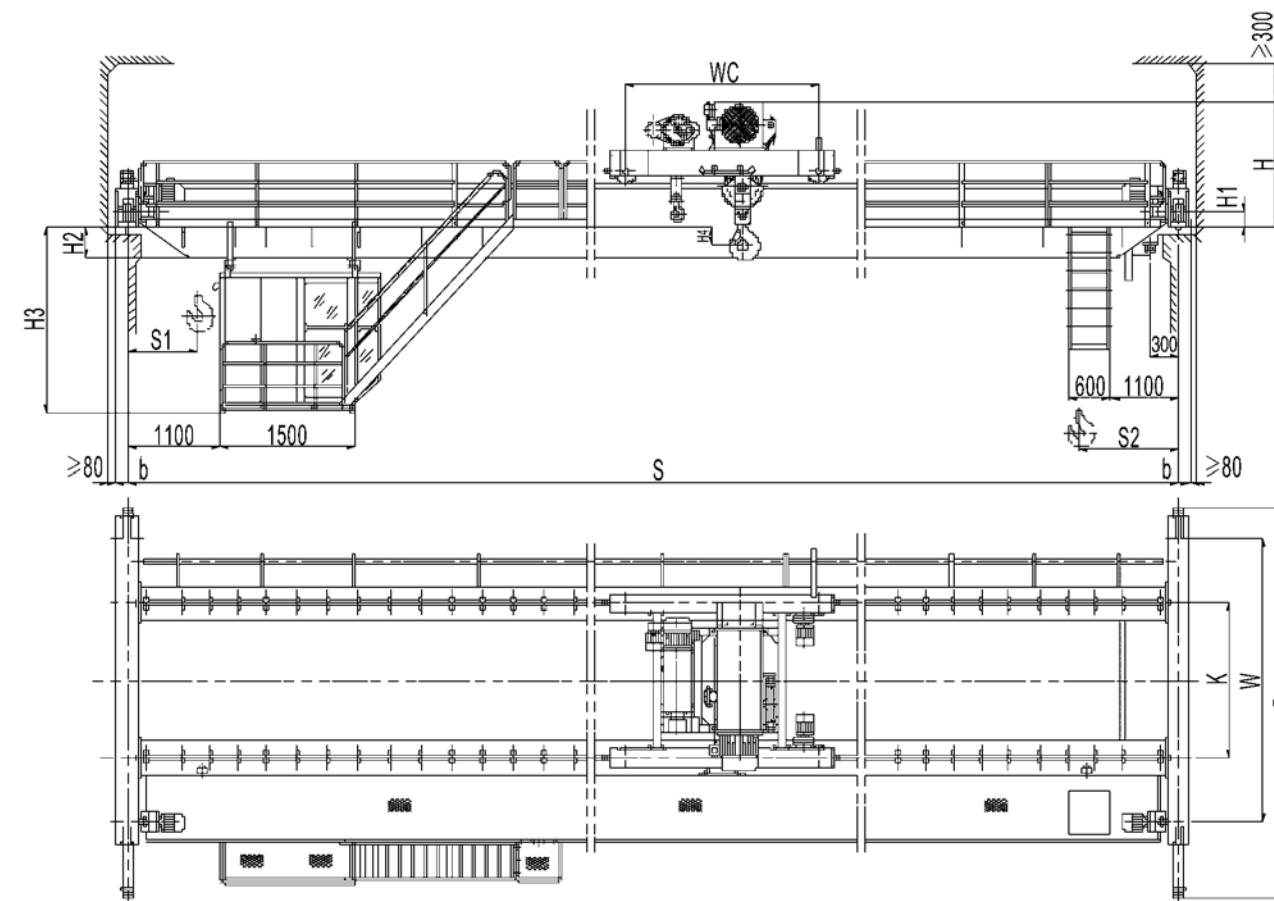




起重量-主钩 (t)	Cap-Main	300				350									
起重量-副钩 (t)	Cap-Aux.	75				80									
跨度 (m)	Span	13	16	19	22	25	28	31	13	16	19	22	25	28	31
起升高度-主钩 (m)	Lifting Height-Main	24				24									
起升高度-副钩 (m)	Lifting Height-Aux.	26				26									
工作制度	Duty	A5				A5									
速度 Speed (m/min)															
起升-主钩	Main	2.4				2.2									
起升-副钩	Aux.	6.8				6.8									
小车运行	Crab Travelling	28				28									
大车运行	Trolley Travelling	42				42									
极限尺寸 Limt Dimenstion (mm)	L1	1700				1500									
	L2	3500				2800									
	L	2450				2400									
	h	1900				1500									
	h1	520				520									
主要尺寸 Main Dimensions (mm)	H	5850				5850									
	H1	3000	3200		3000	3200									
	B	12100				12300									
	K	6000				6200									
最大轮压 (KN)	Max. Wheel Loading	480	495	510	525	540	550	565	507	534	555	571	586	599	613
		485	485	501	501	537	537	537	485	485	501	501	537	537	537
		QU120				QU120									
电机总功率 (KW)	Span	485	485	501	501	537	537	485	485	501	501	537	537	537	
荐用钢轨	Crane Rail Recommended	QU120				QU120									
电源	Power Supply	三相交流 3-Phase A.C. 50HZ 380V				三相交流 3-Phase A.C. 50HZ 380V									

## LHB型防爆双梁桥式起重机

### LHB Model Explosion Proof Double Girder Overhead Crane



#### 简介 A Brief Introduction

本起重机根据GB3836.1-2000《爆炸性气体环境用防爆电气设备第一部分：通用要求》及GB3836.2-2000《爆炸性气体环境用防爆电气设备 第二部分：隔爆型“d”》的规定，电机、电器为隔爆型，防爆级别ExdII CT4时，运行机构进行防火花处理。整机符合JB/T10219-2001《防爆梁式起重机》的规定，防爆等级分别为Exd II BT4, Exd II CT4。整机与HB型防爆电动葫芦小车配套使用。

工作级别为A3-A4，工作环境温度为-25℃~40℃。

LHB type overhead crane is designed according to GB3836.1-2000 "Explosive gas atmosphere use explosion-proof electric equipment Part 1: Common requirements" and GB3836.2-2000 "Explosive gas atmosphere use explosion-proof electric equipment Part 2: flameproof type 'd'", motor and electrical appliance of explosion proof wire rope electric hoist are explosion proof type. When explosion proof grade is Exd II CT4, traveling mechanism should do spark proof treatment. The whole machine meets standards of JB/T10219-2001 "Explosion proof crane", explosion proof grade has Exd II BT4 and Exd II CT4. It can be used together with HB explosion proof electric hoist.

The work duty class is A3-A4, working ambient tempt is -25℃~40℃.

LHB型起重机适用于工厂内具有防爆级别不高于B级或C级，引燃温度组别不低于T4 (135℃)组的可燃性气体，蒸汽与空气形成的爆炸性气体环境中，所适用的危险区域为1区或2区，不适用于0区。

注：

0区：在正常情况下，爆炸性气体混合物连续的，短时间频繁出现或者长时间存在的场所。

1区：在正常情况下，爆炸性气体混合物有可能出现的场所。

2区：在正常情况下，爆炸性气体混合物不能出现，仅在不正常情况下既有可能发生设备故障或误操作情况下，偶尔短时间出现的场所。

LHB model explosion proof overhead crane adapts to the environment in factory that have explosive gas formed by inflammable gas, steam and air of which explosion proof grade is less than B grade or C grade and ignition group is more than T4 (135 C) group. And the explosion proof electric hoist adapts to zone 1 or zone 2, not zone 0.

Remark:

Zone 0: Under normal circumstances, the situation that explosive gas mixture appears continuously in a very short time or exist for a long time.

Zone 1: Under normal circumstances, the situation that explosive gas mixture maybe appears.

Zone 2: Under normal circumstances, the situation that explosive gas mixture can't appear. But under abnormal circumstances that equipment is out of order or mis-operation takes place, the explosive gas mixture appears occasionally in a short time.

LHB型起重机所适用的危险气体举例见下表，未列入表内的其他危险气体见GB3836.1之附录。

Dangerous gas that explosion proof overhead crane can be used in is listed as follows. Refer to the appendix of GB3836.1 for other dangerous gas that has not been listed into the follow table.

防爆标志 (类别, 级别) Explosion-proof mark (sorts, grade)	危险气体举例 Dangerous gas
Exd II BT4	乙烷、丙烷、丁烷、庚烷、癸烷、乙烯、丙烯、一氧化碳、汽油、丙酮、苯乙烯、甲苯、苯、甲醇、乙醇、聚乙烯、乙醛、二乙醚。 Ethane, propane, butane, heptane, decane, ethylene, propylene, carbon monoxide, petrol, acetone, styrene, toluene, benzene, carbinol, ethanol, chloroethylene, acetaldehyde, diethyl, ether.
Exd II CT4	氢气, 水煤气, 乙炔及Exd IIBT4以外的气体 Hydrogen gas, water gas, acetylene and the gas except ExdIIBT4.

### 技术参数 Technical Data

额定起重量 (t)	QSWL Gn Rated Lifting Capacity	5	
操纵形式	Operational Method	地面操纵 Ground Controlling	
<b>速度 Speed (m/min)</b>			
主钩起升	Main. Hook Lifting	8 (8/0.8)	
副钩起升	Aux. Hook Lifting	/	
小车运行	Crab Travelling	20	
大车运行	Trolley Travelling	20, 25	
<b>电动机 Motor (型号/kw)</b>			
主钩起升	Main. Hook Lifting	BZD1 41-4/7.5 (BZDS1 0.8/7.5)	
副钩起升	Aux. Hook Lifting	/	
小车运行	Crab Travelling	BZDY(D) 21-4/0.8*2	
大车运行	Trolley Travelling	BZDY(D) 21-4/0.8*2	
电动葫芦	Electric Hoist	HB, BCD1, BMD1	
起升高度 (m)	Lifting Height	6, 9, 12, 18, 24, 30	
工作制度	Working Track Recommended	A3-A4	
电源	Power Source	3-phase A.C.三相交流; 50HZ; 380V	
荐用大车道轨	Trolley Track Recommended	38KG/M	
跨度 (m)	Span	7.5    10.5    13.5    16.5    19.5    22.5    25.5	
起重机最大轮压 (KN) Max. Wheel Pressure		39    43    48    53    59    62    71	
自重 (KG)	Crane Weight	5230    6400    7450    8600    10560    12350    14850	
	B	3200-3900    3700-4200    4600	
	W	2700-3100    3200-3600    3800	
	We	1200-1500	
	K	1400-1800	
<b>基本尺寸 Basic Dimensions (mm)</b>	H	1350	1550
	H1	75	765
	H2	165    265    365    465	370
	H3	385	540
	b	120	230
	S1	1200	1200
	S2	1200	1200

额定起重量 (t)	QSWL Gn Rated Lifting Capacity	32/10						
操纵形式	Operational Method	地面操纵 Ground Controlling						
<b>速度 Speed (m/min)</b>								
主钩起升	Main. Hook Lifting	3 (0.3/3)						
副钩起升	Aux. Hook Lifting	7 (7/0.7)						
小车运行	Crab Travelling	20						
大车运行	Trolley Travelling	20, 25						
<b>电动机 Motor (型号/kw)</b>								
主钩起升	Main. Hook Lifting	BZDX 62-6/18.5 (BZDS 2.2/18.5)						
副钩起升	Aux. Hook Lifting	BZD1 51-4/13 (BZDS1 -1.5/13)						
小车运行	Crab Travelling	BZDY1 23-4/2.2*2						
大车运行	Trolley Travelling	BZDY1 23-4/2.2*2			BZDY1 31-4/3*2			
电动葫芦	Electric Hoist	HB, BCD1, BMD1						
起升高度 (m)	Lifting Height	9, 12, 16, 24						
工作制度	Working Track Recommended	A3-A4						
电源	Power Source	3-phase A.C.三相交流; 50HZ; 380V						
荐用大车道轨	Trolley Track Recommended	43KG/M						
跨度 (m)	Span	7.5	10.5	13.5	16.5	19.5	22.5	25.5
起重机最大轮压 (KN)	Max. Wheel Pressure	167	184	196	206	215	224	233
自重 (KG)	Crane Weight	12530	14660	16360	18870	21650	24260	27060
基本尺寸 Basic Dimensions (mm)	B	5070-5960			5572-6222			
	W	3600-4500						
	We	2200-2900						
	K	1600-2500						
	H	1900						
	H1	765						
	H2	170	270	370	470	570	670	770
	H3	-700						
	b	230						
	S1	1100						
S2	1600							

额定起重量 (t)	QSWL Gn Rated Lifting Capacity	20/5						
操纵形式	Operational Method	地面操纵 Ground Controlling						
<b>速度 Speed (m/min)</b>								
主钩起升	Main. Hook Lifting	4.2, 0.42/4.2						
副钩起升	Aux. Hook Lifting	8 (8/0.8)						
小车运行	Crab Travelling	20						
大车运行	Trolley Travelling	20, 25						
<b>电动机 Motor (型号/kw)</b>								
主钩起升	Main. Hook Lifting	BZD1 52-4/18.5						
副钩起升	Aux. Hook Lifting	BZD1 41-4/7.5 (BZDS1 -0.8/7.5)						
小车运行	Crab Travelling	BZDY1(D) 22-4/1.5*2						
大车运行	Trolley Travelling	BZDY1 22-4/1.5*2			BZDY1 23-4/2.2*2			
电动葫芦	Electric Hoist	HB, BCD1, BMD1						
起升高度 (m)	Lifting Height	9, 12, 18, 24						
工作制度	Working Track Recommended	A3-A4						
电源	Power Source	3-phase A.C.三相交流; 50HZ; 380V						
荐用大车道轨	Trolley Track Recommended	43KG/M						
跨度 (m)	Span	7.5	10.5	13.5	16.5	19.5	22.5	25.5
起重机最大轮压 (KN)	Max. Wheel Pressure	118	129	135	148	156	164	169
自重 (KG)	Crane Weight	10500	11500	13640	15980	17700	20300	22920
基本尺寸 Basic Dimensions (mm)	B	4632-5982						
	W	3750-4500						
	We	2310-2750						
	K	1600-2500						
	H	1790						
	H1	765						850
	H2	170	170	270	370	370	520	620
	H3	-350						
	b	230						
	S1	1100						
S2	1100							

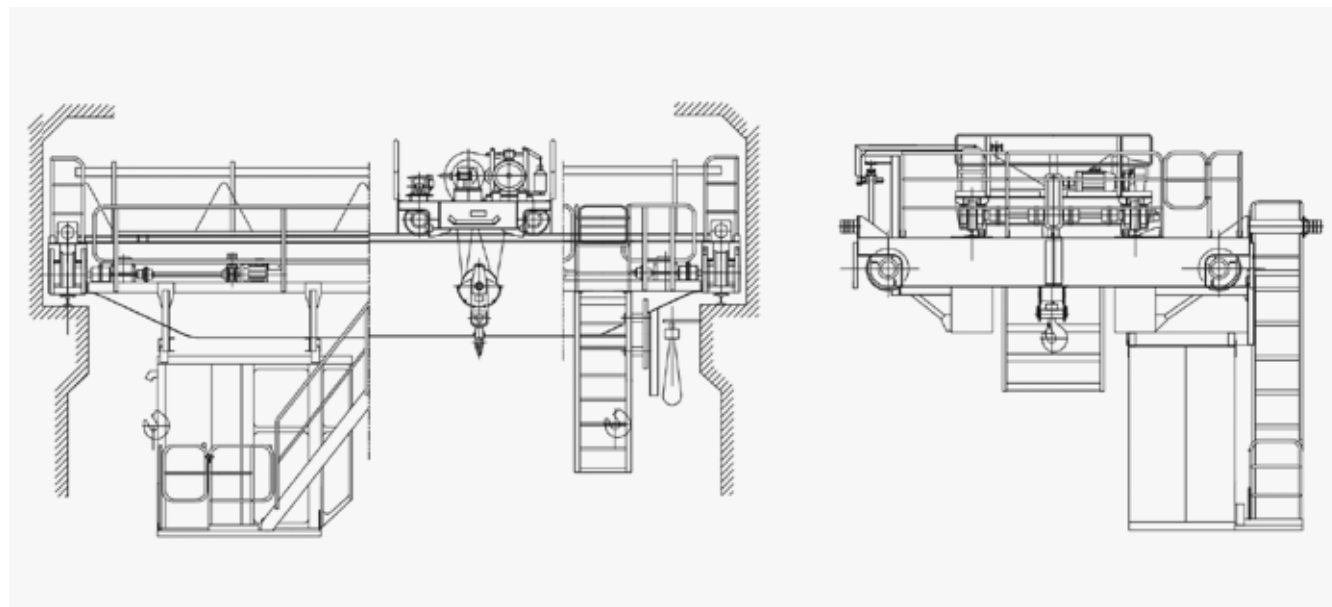


额定起重量 (t)	QSWL Gn Rated Lifting Capacity		16/3					
操纵形式	Operational Method		地面操纵 Ground Controlling					
<b>速度 Speed (m/min)</b>								
主钩起升	Main. Hook Lifting		3.5 (3.5/0.35)					
副钩起升	Aux. Hook Lifting		8 (8/0.8)					
小车运行	Crab Travelling		20					
大车运行	Trolley Travelling		20, 25					
<b>电动机 Motor (型号/kw)</b>								
主钩起升	Main. Hook Lifting		BZD <sub>1</sub> 51-4/13 (BZDS <sub>1</sub> -1.5/13)					
副钩起升	Aux. Hook Lifting		BZD <sub>1</sub> 32-4/4.5 (BZDS <sub>1</sub> -0.4/4.5)					
小车运行	Crab Travelling		BZDY <sub>1</sub> (D) 22-4/1.5*2					
大车运行	Trolley Travelling		BZDY <sub>1</sub> (D) 22-4/1.5*2			BZDY <sub>1</sub> (D) 23-4/2.2*2		
电动葫芦	Electric Hoist		HB, BCD <sub>1</sub> , BMD <sub>1</sub>					
起升高度 (m)	Lifting Height		9, 12, 18, 24					
工作制度	Working Track Recommended		A3-A4					
电源	Power Source		3-phase A.C.三相交流; 50HZ; 380V					
荐用大车道轨	Trolley Track Recommended		38KG/M					
跨度 (m)	Span	7.5	10.5	13.5	16.5	19.5	22.5	25.5
起重机最大轮压 (KN)	Max. Wheel Pressure	95	102	110	119	127	134	141
自重 (KG)	Crane Weight	7970	8610	9990	12800	15300	17540	20080
基本尺寸 Basic Dimensions (mm)	B	3500-5696						
	W	3000-4200						
	We	2000-2400						
	K	1600-2250						
	H	1450	1650					
	H1	75	765					
	H2	265	365	465	370	470	570	670
	H3	-500			-310			
	b	120			230			
	S1	1240			900			
S2	1450			1200				

额定起重量 (t)	QSWL Gn Rated Lifting Capacity		10/3					
操纵形式	Operational Method		地面操纵 Ground Controlling					
<b>速度 Speed (m/min)</b>								
主钩起升	Main. Hook Lifting		7 (7/0.7)					
副钩起升	Aux. Hook Lifting		8 (8/0.8)					
小车运行	Crab Travelling		20					
大车运行	Trolley Travelling		20, 25					
<b>电动机 Motor (型号/kw)</b>								
主钩起升	Main. Hook Lifting		BZD <sub>1</sub> 51-4/13 (BZDS <sub>1</sub> -1.5/13)					
副钩起升	Aux. Hook Lifting		BZD <sub>1</sub> 32-4/4.5 (BZDS <sub>1</sub> -0.4/4.5)					
小车运行	Crab Travelling		BZDY <sub>1</sub> (D) 21-4/0.8*2					
大车运行	Trolley Travelling		BZDY <sub>1</sub> (D) 22-4/1.5*2					
电动葫芦	Electric Hoist		HB, BCD <sub>1</sub> , BMD <sub>1</sub>					
起升高度 (m)	Lifting Height		9, 12, 18, 24					
工作制度	Working Track Recommended		A3-A4					
电源	Power Source		3-phase A.C.三相交流; 50HZ; 380V					
荐用大车道轨	Trolley Track Recommended		38KG/M					
跨度 (m)	Span	7.5	10.5	13.5	16.5	19.5	22.5	25.5
起重机最大轮压 (KN)	Max. Wheel Pressure	65	72	77	80	88	97	102
自重 (KG)	Crane Weight	6240	8050	9480	10450	13260	16530	18620
基本尺寸 Basic Dimensions (mm)	B	3500-5696						
	W	3000-4200						
	We	2000-2400						
	K	1600-2250						
	H	1450	1650					
	H1	75	765					
	H2	165	265	315	415	320	420	520
	H3	365			565			
	b	120			230			
	S1	1250			900			
S2	1400			1200				

# QB型防爆双梁桥式起重机

## QB Model Explosion Proof Double Girder Overhead Crane



### 简介 A Brief Introduction

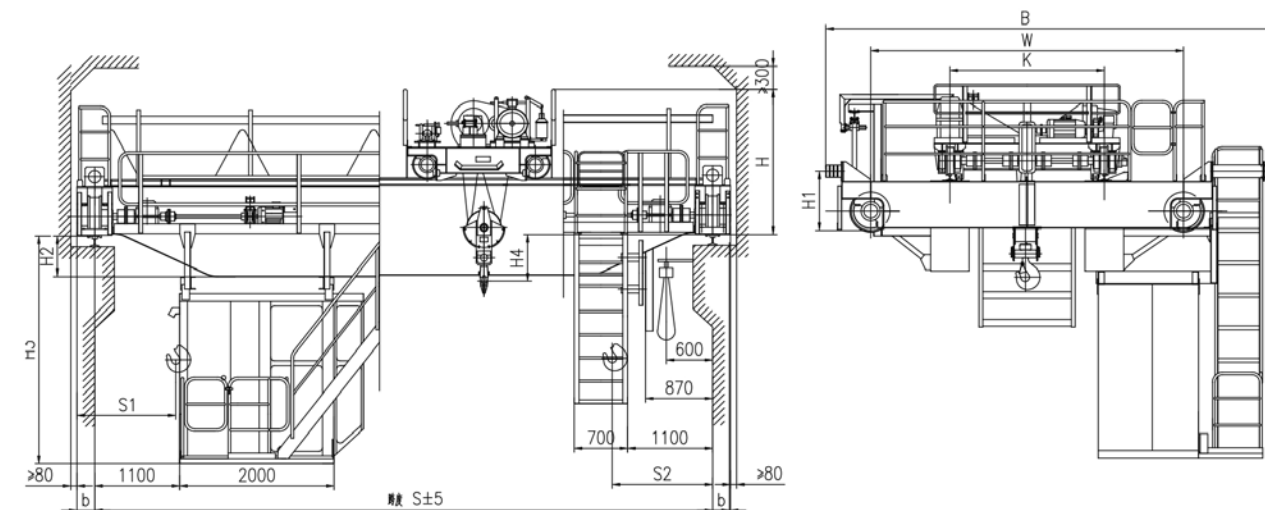
QB型防爆双梁桥式起重机所有电机电器防爆性能符合GB3836.2-2000《爆炸性气体环境用防爆电气设备第二部分：隔爆型“d”》，整机性能符合JB/T5897-2006《防爆桥式起重机》标准之规定，经国家制定的防爆产品检验单位检验合格，取得了《防爆合格证》。防爆标志分别为ExdII BT4和ExdII CT4。

本产品适用于工厂内传爆能力不高于IIB或IIC级，引爆温度组别为T1-T4组的可燃性气体或蒸汽与空气形成爆炸性气体混合物的场所，适用于危险区域为1区或2区（详见GB3836.1-2000）。本产品工作级别为中级。

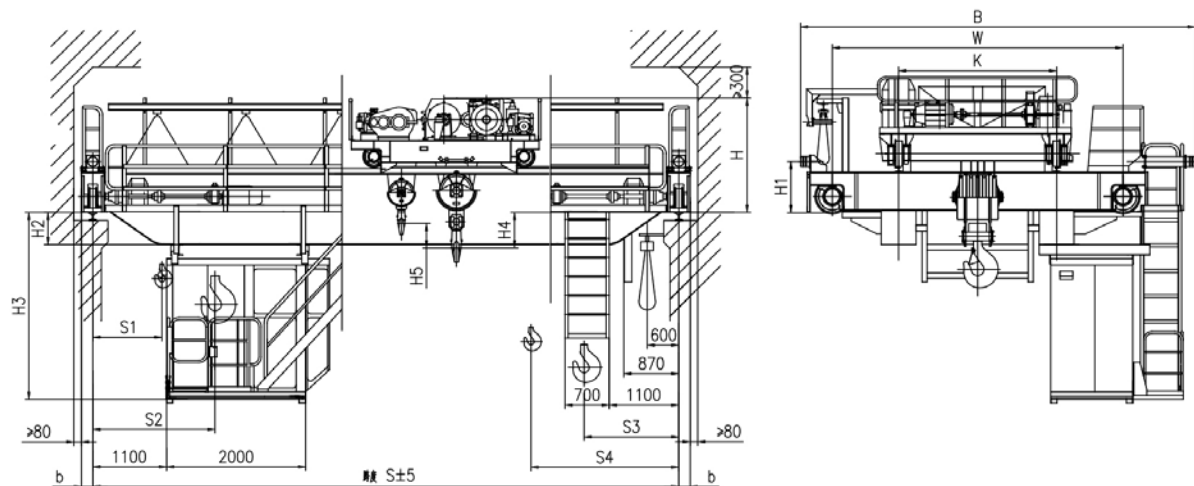
All the motors and electricity of QB model explosion proof crane should confirm to the prescriptions of GB3836.2-2000 'Explosion proof electrical apparatus for explosive atmosphere part 2: flame proof d', the performance of complete crane conforms to the prescription of JB/T5897-2006 "Explosion proof bridge crane". The crane is qualified inspected by inspection unit of blast-proof product which is appointed by the state with certification of conformity of an instrument for Explosive atmosphere. The signs of explosion proof are ExdII BT4 and ExdII CT4.

The product is applicable to the place in the factory where the capability of transmitting explosive is no higher than grade IIB or IIC, and where has mixture of detonating gas which is composed of flammable gas or steam whose ignition temperature team belongs to T1-T4 team, and air. The applicable danger area is Zone 1 or Zone 2 (see GB3836.1-2000) the working class is middle.

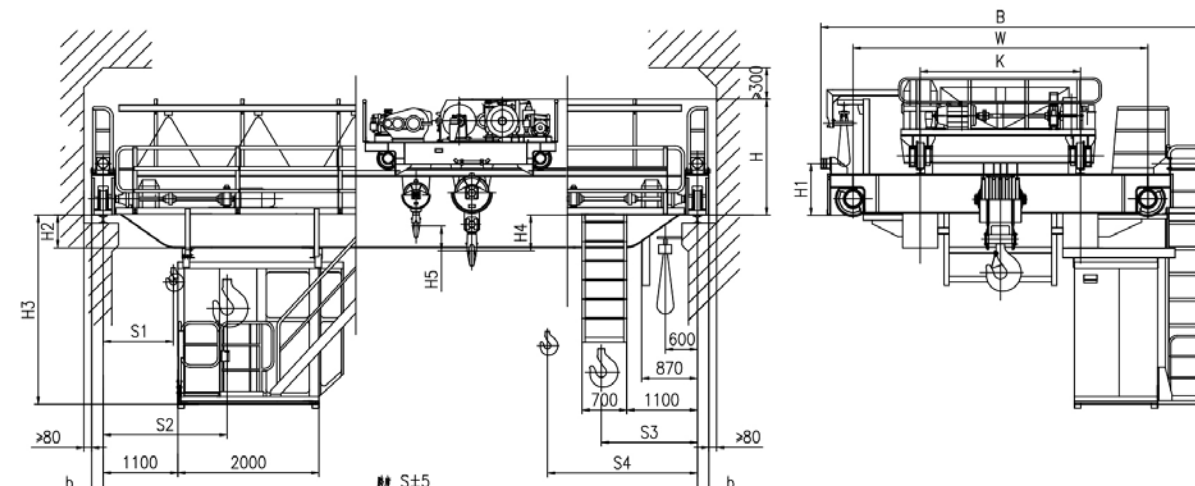
### 技术参数 Technical Data



起重量 (t)	Cap	5								10															
跨度 (m)	Span	10.5	13.5	16.5	19.5	22.5	25.5	28.5	31.5	10.5	13.5	16.5	19.5	22.5	25.5	28.5	31.5								
起升高度 (m)	Lifting Height	16								16															
工作制度	Duty	A4								A4															
防爆等级	Duty	ExdIIBT4 (ExdIICT4)								ExdIIBT4 (ExdIICT4)															
速度 Speed (m/min)																									
起升	Hoisting	5								5															
小车运行	Crab Travelling	19.6 (14.6)								20.5 (14.6)															
大车运行	Trolley Travelling	22.3 (12)								22.3 (12)															
极限尺寸 Limit Dimension (mm)	S1	800								1050															
	S2	1250								1300															
	H	1763								1800															
	H1	765								765															
	H2	-24	126	226	376	526	676	826	976	-24	126	226	376	526	678	828	978								
	H3	2396	2546	2646	2796	2946	3096	3246	3396	2396	2546	2646	2796	2946	3098	3248	3398								
	H4	71								602															
	K	1400								2000															
	W	3400				3550				5000				4050				5000							
	B	5054				5204				5948				5704				5882				5948			
	b	230								230															
最大轮压 (KN)	Max. Wheel Loading	72	78	84	92	97	109	117	124	101	108	117	122	126	135	144	152								
电机总功率 (KW)	Span	10								15.5															
荐用钢轨	Crane Rail Recommended	43kg/m																							
电源	Power Supply	三相交流 3-Phase A.C. 50HZ 380V																							

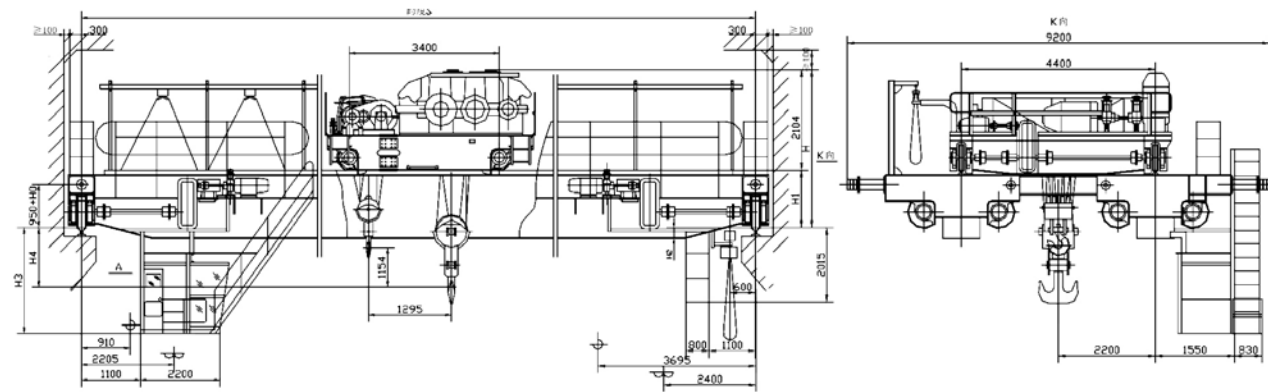


起重量-主钩 (t)	Cap-Main	16										20																		
起重量-副钩 (t)	Cap-Aux.	3.2										5																		
跨度 (m)	Span	10.5	13.5	16.5	19.5	22.5	25.5	28.5	31.5	10.5	13.5	16.5	19.5	22.5	25.5	28.5	31.5													
起升高度-主钩 (m)	Lifting Height-Main	16										12																		
起升高度-副钩 (m)	Lifting Height-Aux.	18										14																		
工作制度	Duty	A4										A4																		
防爆等级	Duty	ExdIIBT4 (ExdIICT4)										ExdIIBT4 (ExdIICT4)																		
速度 Speed (m/min)																														
起升-主钩	Main	4.3										4.2																		
起升-副钩	Aux.	5.6										5																		
小车运行	Crab Travelling	20.5 (13)										20.5 (13)																		
大车运行	Trolley Travelling	19 (12.1)										19 (12.1)																		
极限尺寸 Limt Dimenstion (mm)	S1	1040										1030																		
	S2	1850										1930																		
	S3	1500										1420																		
	S4	2310										2320																		
主要尺寸 Main Dimensions (mm)	H	2043										2045																		
	H1	765										765																		
	H2	130	130	230	380	528	678	828	978	130	130	232	382	530	680	830	980													
	H3	2550	2550	2650	2800	2948	3098	3248	3398	2550	2550	2598	2658	2808	2958	3108	3258													
	H4	860					780					858																		
	H5	770										496																		
	K	2000										2000																		
	W	4000					4100					4000					4100					5000								
B	5864					5928					6438					5864					5928					6438				
b	230										230																			
最大轮压 (KN)	Max. Wheel Loading	138	146	152	166	173	185	197	203	160	167	176	189	197	209	220	229													
电机总功率 (KW)	Span	23.9 (23.2)										25.7 (25)																		
荐用钢轨	Crane Rail Recommended	43kg/m 或 QU70																												
电源	Power Supply	三相交流 3-Phase A.C. 50HZ 380V																												



起重量-主钩 (t)	Cap-Main	32										50																		
起重量-副钩 (t)	Cap-Aux.	5										10																		
跨度 (m)	Span	10.5	13.5	16.5	19.5	22.5	25.5	28.5	31.5	10.5	13.5	16.5	19.5	22.5	25.5	28.5	31.5													
起升高度-主钩 (m)	Lifting Height-Main	16										12																		
起升高度-副钩 (m)	Lifting Height-Aux.	18										16																		
工作制度	Duty	A4										A4																		
防爆等级	Duty	ExdIIBT4 (ExdIICT4)										ExdIIBT4 (ExdIICT4)																		
速度 Speed (m/min)																														
起升-主钩	Main	4.1										3																		
起升-副钩	Aux.	5										5																		
小车运行	Crab Travelling	17.5 (13)										15.1 (15.1)																		
大车运行	Trolley Travelling	19.1 (12.4)										17 (14.5)																		
极限尺寸 Limt Dimenstion (mm)	S1	1070										1005																		
	S2	2050										2200																		
	S3	1700										2000																		
	S4	2680										3195																		
主要尺寸 Main Dimensions (mm)	H	2230										2365	2371																	
	H1	815										865																		
	H2	180	184	334	484	634	784	934	1034	71	246	252	402	552	702	852	952													
	H3	2508	2512	2662	2682	2832	2982	3132	3232	2339	2514	2520	2670	2820	2970	3120	3220													
	H4	800					1020					1014																		
	H5	790										948																		
	K	2500										2500																		
	W	4650					4700					5000					4800					5000								
B	6478					6628					6928					6828					6858					7058				
b	230										260																			
最大轮压 (KN)	Max. Wheel Loading	234	248	260	275	287	303	314	325	326	348	367	379	398	415	428	443													
电机总功率 (KW)	Span	42.2 (40.7)										50.9 (49.1)					53.9 (49.1)													
荐用钢轨	Crane Rail Recommended	QU70 或 方钢90										QU80 或 方钢100																		
电源	Power Supply	三相交流 3-Phase A.C. 50HZ 380V																												





起重量 (t)	Lifting Capacity	75/20							
跨度 (m)	Span	13.5	16.5	19.5	22.5	25.5	28.5	31.5	
最大起升高度 (m)	Max. Lifting Height	20/22							
工作级别	Working System	A4							
防爆等级	Duty	ExdII BT4; (ExdII CT4)							
速度 Speed (m/min)									
主起升	Main Lifting	1.86							
副起升	Aux Lifting	4.2							
小车运行	Crab Travelling	10							
大车运行	Trolley Travelling	15.4 (9.88)				15.7 (9.9)			
电动机 Motor (型号/kw)									
主起升	Main Lifting	YBZ 250M-8/30 (YBZE 250M-8)							
副起升	Aux Lifting	YBZ 180L-6/15 (YBZE 180L-6)							
小车运行	Trolley Travelling	YBZE 132M2-6/3.7							
大车运行	Crab Travelling	YBZE 132M2-6/3.7*2				YBZE 160M1-6/5.5*2 YBZE 132M2-6/3.7*2			
主要尺寸 Dimensions (mm)	H	3302	3302	3302	3306	3304	3308	3310	
	H1	1318	1318	1318	1322	1320	1324	1326	
	H2	290	440	542	546	844	844	850	
	H3	2710	2860	2962	2966	3264	3268	3270	
	H4	872	872	872	868	870	866	864	
最大轮压 (KN)	Max. Wheel Loading	219	302	314	324	333	345	356	
荐用钢轨	Steel Track	QU100							
电源	Power Supply	三相交流 50HZ 380V 3-Phase A.C. 50HZ 380V							

注: H0为大车缓冲器增加的高度

## QZ型抓斗桥式起重机

### QZ Model Double Girder Overhead Crane With Grab

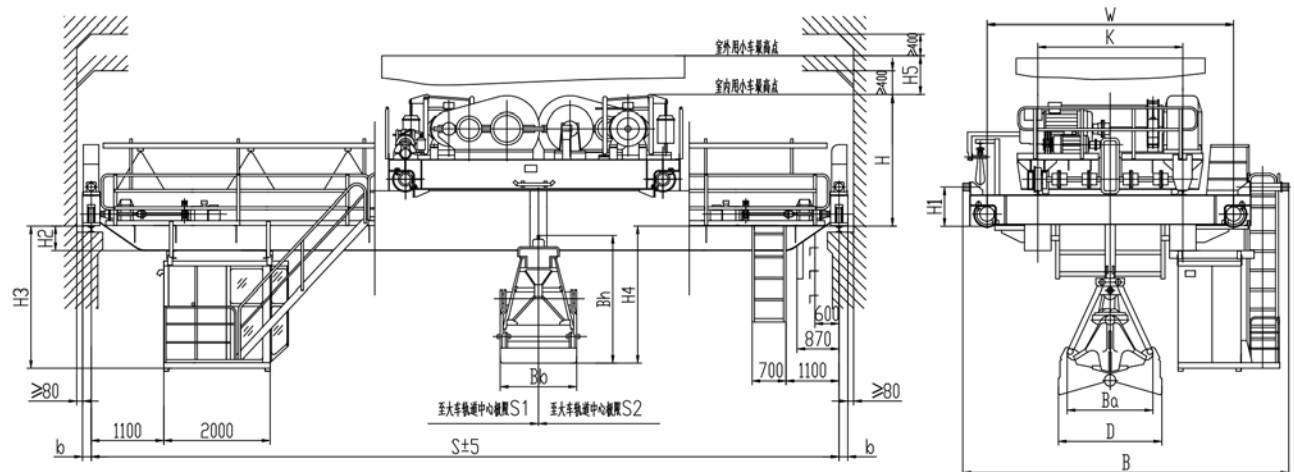


#### 简介 A Brief Introduction

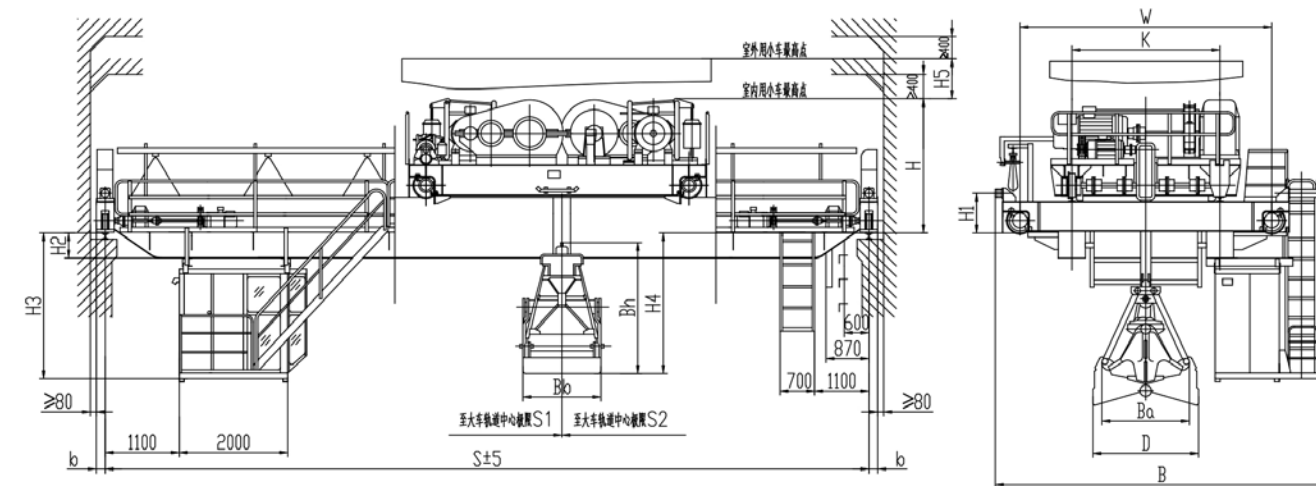
QZ型抓斗桥式起重机广泛用于电厂, 货场, 车间, 码头等, 进行散料的装卸运输。本起重机均为重级工作制, 工作级别为A6。进入司机室的走台入口方式分为: 端入, 侧入, 顶入。额定起重量包含抓斗自重。抓斗张开方向有平行和垂直主梁两种, 图示为抓斗垂直主梁张开。取物装置为双卷筒的四绳抓斗, 结构简单, 工作可靠, 抓斗可在任意高度张开和闭合。抓斗只适用于自然堆积状态下的散粒物料, 当抓取水下物料或特殊物料时须在订货时特别提出。本起重机可在室内也可在室外使用, 室外使用时增加防雨罩装置。

QZ model grab overhead crane is widely used in factory, workshop and power plant to do the loading work. The work class is A6. The entrance of the cabinet is from side or top. The load capacity is including the dead weight of grab. The grab device is a four-rope grab with double drum, simple structure and reliable operation. Or other type grab according to different material. The grab can be opened and closed at any height. Grab is only suitable for bulk materials in the state of natural accumulation. When grabbing underwater materials or special materials, special request must be made when ordering. The crane can be used indoors or outdoors. The rain cover is added when used outdoors.

技术参数 Technical Data



起重量 (t)	Cap	5								10							
跨度 (m)	Span	10.5	13.5	16.5	19.5	22.5	25.5	28.5	31.5	10.5	13.5	16.5	19.5	22.5	25.5	28.5	31.5
起升高度 (m)	Lifting Height	20								18							
工作制度	Duty	A6								A6							
速度 Speed (m/min)																	
起升	Hoisting	39.2								39.3							
小车运行	Crab Travelling	44.6								45.9							
大车运行	Trolley Travelling	93.6				113.6				112.5				101			
极限尺寸 Limit Dimension (mm)	S1	1635								2015							
	S2	1635								1850							
主要尺寸 Main Dimensions (mm)	B	6568		6638		7163		6913		6963		7388		7413			
	W	4000		4050		5000		4000		4100		5000					
	K	2000								2000							
	H	1876				1926				2078				2168			
	H1	765				850				815				940			
	H2	128	228	328	478	628	728	878	1028	180	230	380	390	540	690	840	940
	H3	2548	2648	2748	2898	3048	3148	3298	3448	2600	2650	2800	2810	2960	3110	3260	3360
H4	3063	3163	3263	3413	3563	3663	3813	3963	3927	3977	4127	4137	4287	4437	4587	4687	
H5	850								700								
b	230								260								
最大轮压 (KN)	Max. Wheel Loading	75	80	87	95	102	113	122	130	113	121	131	142	152	162	172	180
荐用钢轨	Crane Rail Recommended	荐用43kg/m或QU70								荐用43kg/m或QU70							
电源	Power Supply	三相交流 3-Phase A.C. 50HZ 380V								三相交流 3-Phase A.C. 50HZ 380V							
抓斗 Grab																	
型号	U	113	109	110	105	106	101	102	127	123	124	119	120	115	116		
类型	Type	轻型	中型	重型	超重型	轻型	中型	重型	超重型								
容积	m³	2.5	1.5	1	0.75	5	3	2	1.5								
物料密度	t/m³	≤1	> 1-1.7	> 1.7-2.5	> 2.5-3.3	≤1	> 1-1.7	> 1.7-2.5	> 2.5-3.3								
自重	kg	2633	2549	2615	2506	2568	2479	2546	4800	4803	4866	4850	4913	4730	4793		
主要尺寸 Main Dimensions (mm)	D	3120	2740	2740	2530	2530	2340	2340	3900	3430	3430	3220	3220	2920	2920		
	Ba	2200	1950	1950	1800	1800	1650	1650	2700	2400	2400	2200	2200	1960	1960		
	Bb	1500	1354	1354	1238	1238	1160	1160	2060	1754	1754	1528	1528	1416	1416		
	Bh	3135	2935	2935	2835	2835	2735	2735	3990	3747	3747	3640	3640	3490	3490		



起重量 (t)	Cap	16								20							
跨度 (m)	Span	16.5	19.5	22.5	25.5	28.5	31.5	16.5	19.5	22.5	25.5	28.5	31.5				
起升高度 (m)	Lifting Height	28								26							
工作制度	Duty	A6								A6							
速度 Speed (m/min)																	
起升	Hoisting	41.8								45.7							
小车运行	Crab Travelling	43.2								43.2							
大车运行	Trolley Travelling	98				87.3				87.3							
极限尺寸 Limit Dimension (mm)	S1	2305								2635							
	S2	2060								2485							
主要尺寸 Main Dimensions (mm)	B	7583		7733		7833		7958		8058							
	W	4800		5000		4800		5000									
	K	2500								2500							
	H	2385				2535				2739							
	H1	940				1090				1090							
	H2	394	544	544	694	794	894	246	390	546	696	796	896				
	H3	2814	2964	2964	3114	3214	3314	2666	2816	2966	3116	3216	3316				
H4	4999	5149	5149	5299	5399	5499	5101	5345	5501	5651	5751	5851					
H5	660								482								
b	260				300				300								
最大轮压 (KN)	Max. Wheel Loading	206	218	233	247	257	269	229	243	254	270	279	293				
荐用钢轨	Crane Rail Recommended	荐用QU70或方钢90*90								荐用QU70或方钢90*90							
电源	Power Supply	三相交流 3-Phase A.C. 50HZ 380V								三相交流 3-Phase A.C. 50HZ 380V							
抓斗 Grab																	
型号	U	141	137	138	133	134	129	130	155	151	152	147	148	143	144		
类型	Type	轻型	中型	重型	超重型	轻型	中型	重型	超重型								
容积	m³	8	4.8	3.2	2.5	10	6	4	3								
物料密度	t/m³	≤1	> 1-1.7	> 1.7-2.5	> 2.5-3.3	≤1	> 1-1.7	> 1.7-2.5	> 2.5-3.3								
自重	kg	7840	7993	8143	8008	8159	8155	8305	9812	10098	10287	9976	10123	9780	10206		
主要尺寸 Main Dimensions (mm)	D	4380	4050	4050	3750	3750	3430	3430	5000	4500	4500	4000	4000	3800	3800		
	Ba	3200	2820	2820	2600	2600	2350	2350	3500	3200	3200	2900	2900	2400	2400		
	Bb	2350	2078	2078	1792	1792	1628	1628	2478	2288	2288	1892	1892	1892	1892		
	Bh	4775	4605	4605	4455	4455	4285	4285	5215	4955	4955	4795	4795	4695	4695		



# QC型电磁桥式起重机

## QC Model Double Girder Overhead Crane With Electro Magnet



### 简介 A Brief Introduction

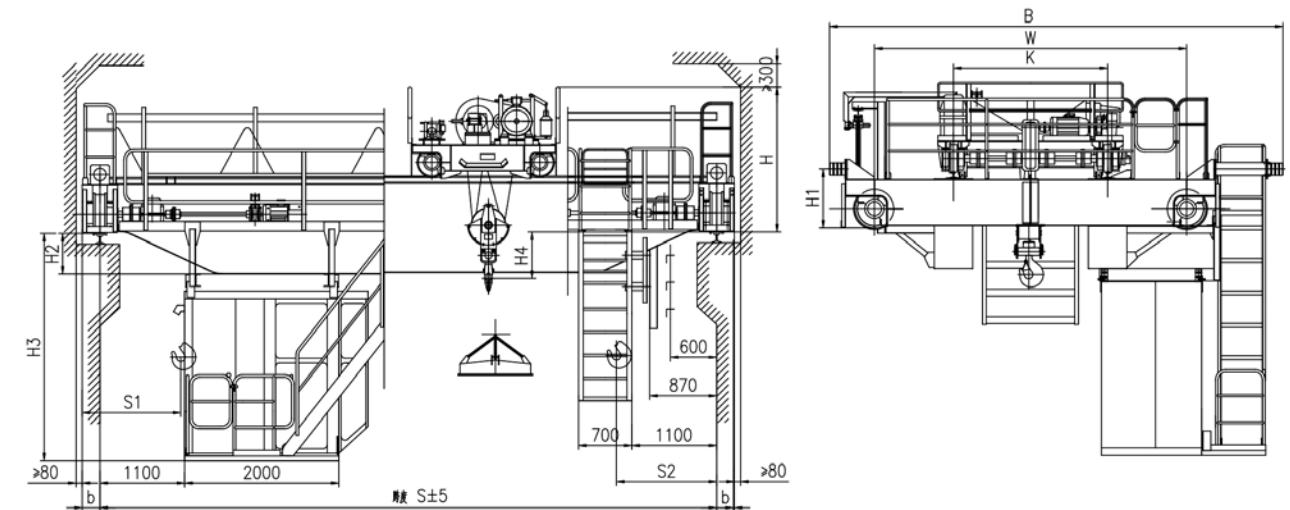
QC型电磁桥式起重机广泛用于钢厂，废料场，码头等进行铁屑散料的装卸。本起重机均为重级工作制，工作级别为A6。进入司机室的走台入口方式分为：端入，侧入，顶入。

额定起重量包含电磁铁自重。起重机总重不包括电磁盘及其附件重量。

QZ model electro magnet overhead crane is widely used in steel factory to do the loading work of steel products. The entrance of the cabinet is from side or top.

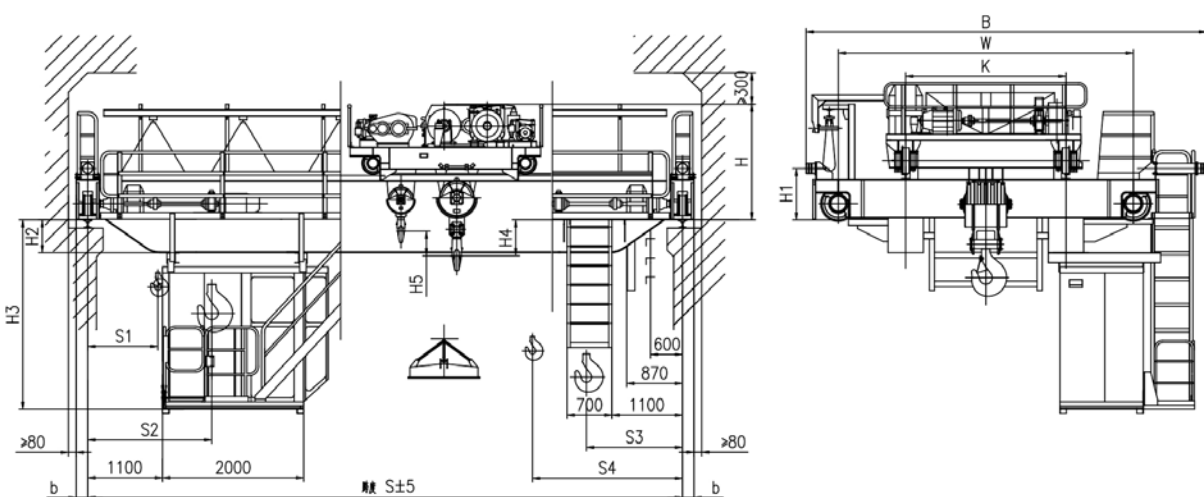
The load capacity is including the dead weight of electro magnet, the dead weight of crane excludes the dead weight of the electro magnet and its accessories.

### 技术参数 Technical Data

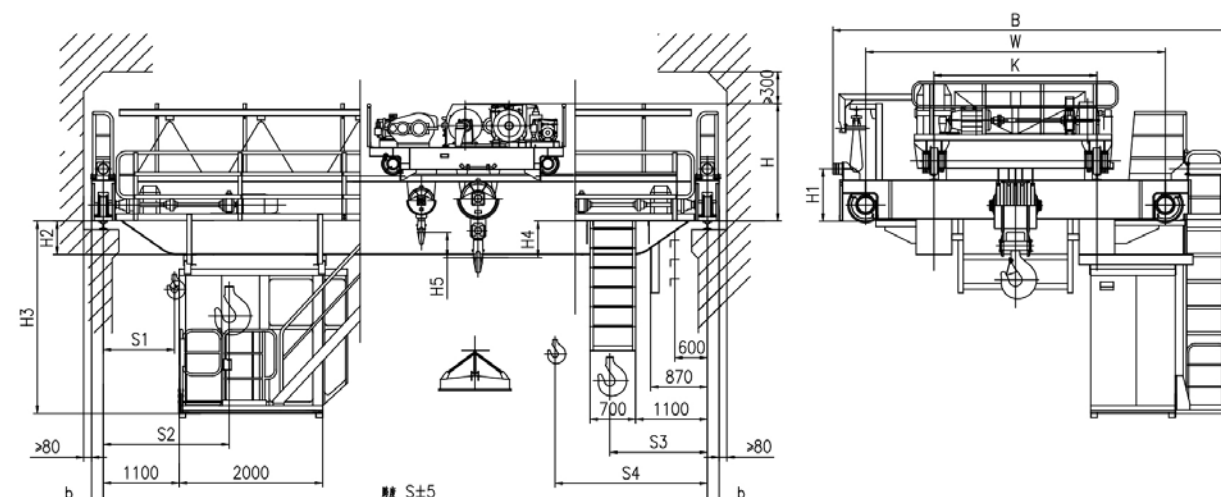


起重量 (t)	Cap	5								10							
跨度 (m)	Span	10.5	13.5	16.5	19.5	22.5	25.5	28.5	31.5	10.5	13.5	16.5	19.5	22.5	25.5	28.5	31.5
起升高度 (m)	Lifting Height	16								16							
工作制度	Duty	A6								A6							
速度 Speed (m/min)																	
起升	Hoisting	15.5								10.4							
小车运行	Crab Travelling	37.2								39.5							
大车运行	Trolley Travelling	115.6				116.8				115.6				116.8			
极限尺寸 Limit Dimension (mm)	S1	1250								1500							
	S2	1500								1500							
主要尺寸 Main Dimensions (mm)	H	1765								1878				1928			
	H1	765				800				765				850			
	H2	-22	128	228	378	528	678	828	978	-22	128	228	378	528	630	780	930
	H3	2398	2548	2648	2798	2948	3098	3248	3398	2398	2548	2648	2798	2948	3050	3200	3350
	H4	69								600				550			
	K	1400								2000							
	W	3400				3550				5000				4050			
	B	5058				5208				6028				5708			
	b	230								230							
	最大轮压 (KN)	Max. Wheel Loading	74.5	80	86.5	94	101.5	113	121.5	128.5	104	112	121	126	134	146	155
电机总功率 (KW)	Span	27.8				31.8				35.5				39.5			
荐用钢轨	Crane Rail Recommended	43kg/m								43kg/m							
电源	Power Supply	三相交流 3-Phase A.C. 50HZ 380V								三相交流 3-Phase A.C. 50HZ 380V							





起重量-主钩 (t)	Cap-Main	16																20																			
起重量-副钩 (t)	Cap-Aux.	3.2																5																			
跨度 (m)	Span	10.5	13.5	16.5	19.5	22.5	25.5	28.5	31.5	10.5	13.5	16.5	19.5	22.5	25.5	28.5	31.5																				
起升高度-主钩 (m)	Lifting Height-Main	16																12																			
起升高度-副钩 (m)	Lifting Height-Aux.	18																14																			
工作制度	Duty	A6																A6																			
速度 Speed (m/min)																																					
起升-主起升	Main	13																9.7																			
起升-副起升	Aux.	14.5																12.7																			
小车运行	Crab Travelling	44.6																44.6																			
大车运行	Trolley Travelling	112.5								101.4								112.5								101.4											
极限尺寸 Limt Dimenstion (mm)	S1	1040																1070																			
	S2	2460																2650																			
	S3	1600																1700																			
	S4	3020																3280																			
主要尺寸 Main Dimensions (mm)	H	2097	2099	2189	2187				2099	2101	2191																										
	H1	815				940				815				940																							
	H2	82	82	182	242	392	542	692	842	82	86	186	246	394	544	694	844																				
	H3	2502	2502	2602	2662	2812	2962	3112	3262	2502	2506	2606	2666	2814	2964	3114	3264																				
	H4	727	725	635	637				699	697	607																										
	H5	768																496																			
	K	2000																2000																			
	W	4400								5000								4000								5000											
	B	6278				6188				6798				6278				6188				6798															
	b	230				260				230				260																							
最大轮压 (KN)	Max. Wheel Loading	146	153	161	174	182	193	204	214	170	177	187	201	210	223	234	245																				
电机总功率 (KW)	Span	64.5								71.5								69								76											
荐用钢轨	Crane Rail Recommended	43kg/m 或 QU70																43kg/m 或 QU70																			
电源	Power Supply	三相交流 3-Phase A.C. 50HZ 380V																三相交流 3-Phase A.C. 50HZ 380V																			



起重量-主钩 (t)	Cap-Main	32																50																			
起重量-副钩 (t)	Cap-Aux.	5																10																			
跨度 (m)	Span	10.5	13.5	16.5	19.5	22.5	25.5	28.5	31.5	10.5	13.5	16.5	19.5	22.5	25.5	28.5	31.5																				
起升高度-主钩 (m)	Lifting Height-Main	16																12																			
起升高度-副钩 (m)	Lifting Height-Aux.	18																16																			
工作制度	Duty	A6																A6																			
速度 Speed (m/min)																																					
起升-主起升	Main	9.5																7.8																			
起升-副起升	Aux.	12.7																13.2																			
小车运行	Crab Travelling	42.4																38.5																			
大车运行	Trolley Travelling	101.4								101.8				86.8				86.8								87.3											
极限尺寸 Limt Dimenstion (mm)	S1	1070																1005																			
	S2	2650																2785																			
	S3	1700																2000																			
	S4	3280																3780																			
主要尺寸 Main Dimensions (mm)	H	2349	2353	2483				2746	2748	2754																											
	H1	905				1070				1055				1090																							
	H2	92	96	246	266	416	566	716	816	71	248	254	404	554	704	804	954																				
	H3	2512	2516	2666	2686	2836	2986	3136	3236	2491	2668	2674	2824	2974	3124	3224	3374																				
	H4	705	701	571				1020	1018	1012																											
	H5	790																948																			
	K	2500																2500																			
	W	4650				4700				5000				4800								5000															
	B	6588				6608				6828				6828				6858				7058															
	b	260				300				300																											
最大轮压 (KN)	Max. Wheel Loading	242	256	269	286	298	313	323	335	337	359	379	397	412	429	442	457																				
电机总功率 (KW)	Span	96.3																131.5								139.5											
荐用钢轨	Crane Rail Recommended	QU70 或 方钢90																QU80 或 方钢100																			
电源	Power Supply	三相交流 3-Phase A.C. 50HZ 380V																三相交流 3-Phase A.C. 50HZ 380V																			

## QCL型电磁挂梁桥式起重机

QCL Model Overhead Crane With Electromagnetic Spreader Beam



### 简介 A Brief Introduction

1. 本起重机带有可拆卸的电磁盘，特别适用于搬运具有导磁性的黑色件数制品与材料如钢锭，型钢，生铁块等。主要用于钢铁企业轧线，成品库，船厂钢料堆场，下料车间等。

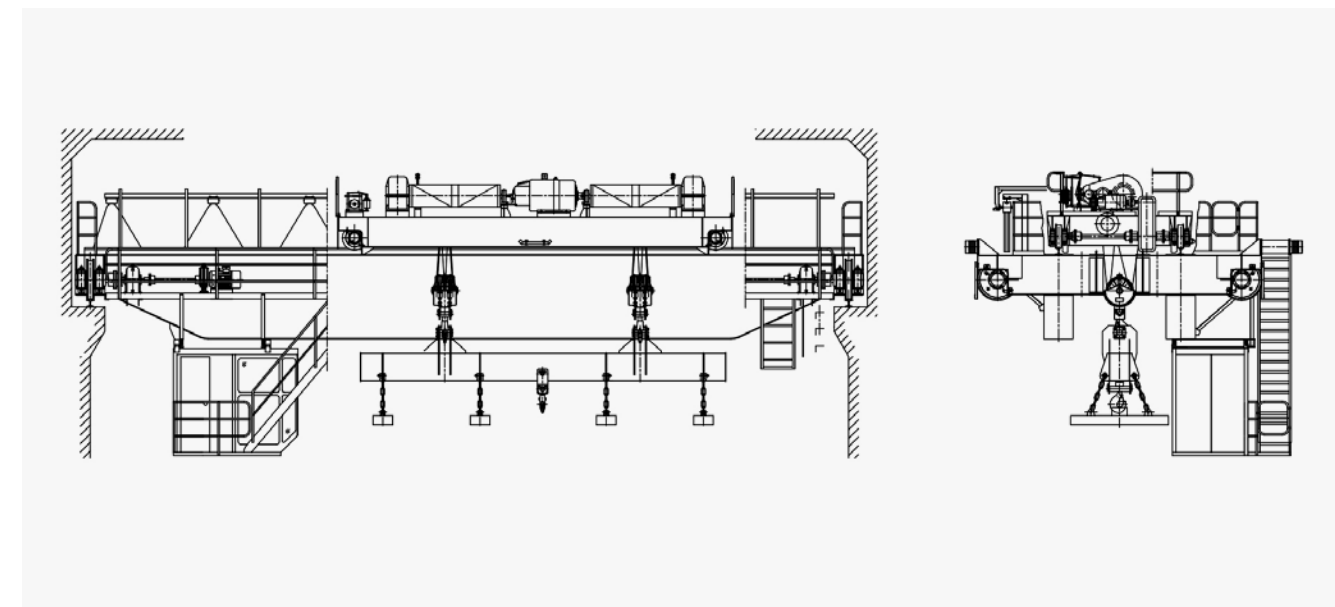
2. 本起重机的起重量指的是吊钩以下；本起重机的自重不包含电磁铁的重量。

3. 挂梁分为平行于主梁和垂直于主梁，以满足不同操作需求。

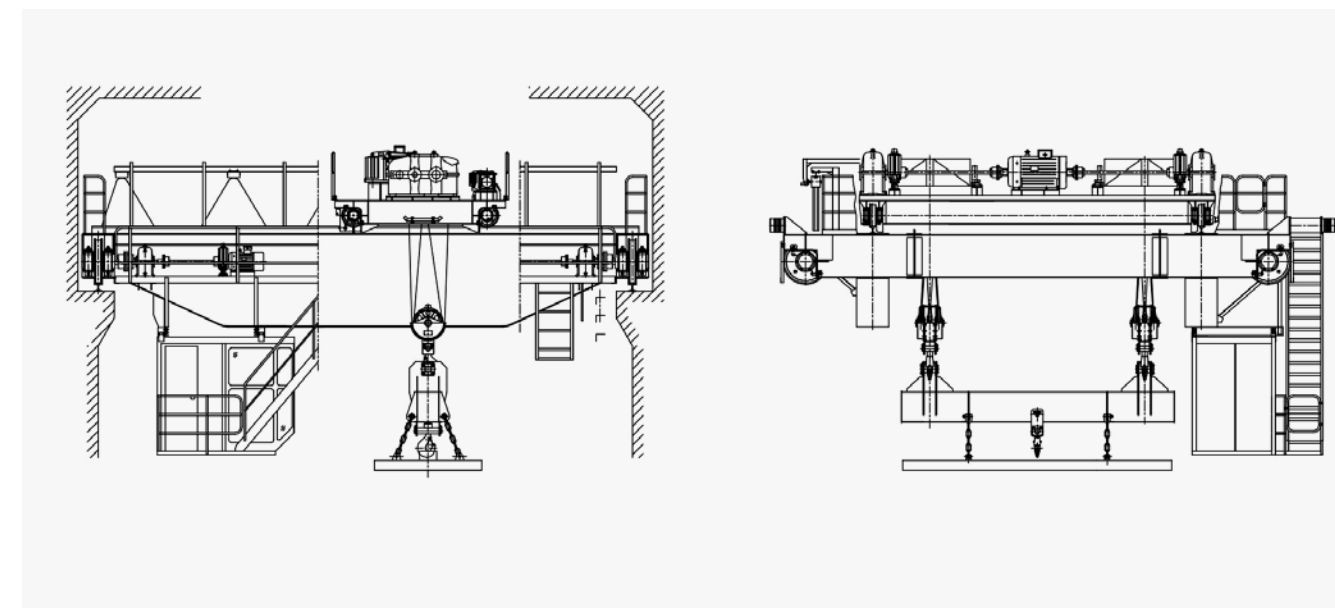
1. The crane is equipped with detachable electric disk, especially suitable for transporting magnetic black pieces and materials such as ingot, section steel, pig iron block, etc. It is mainly used in rolling line of iron and steel enterprises, finished products warehouse, steel yard of shipyard, cutting workshop and so on.

2. The lifting capacity of the crane refers to the available weight under hooks; The dead weight of the crane does not include the dead weight of the electromagnet.

3. The spreader beam is divided into parallel to the main beam and perpendicular to the main beam to meet different operational requirements.



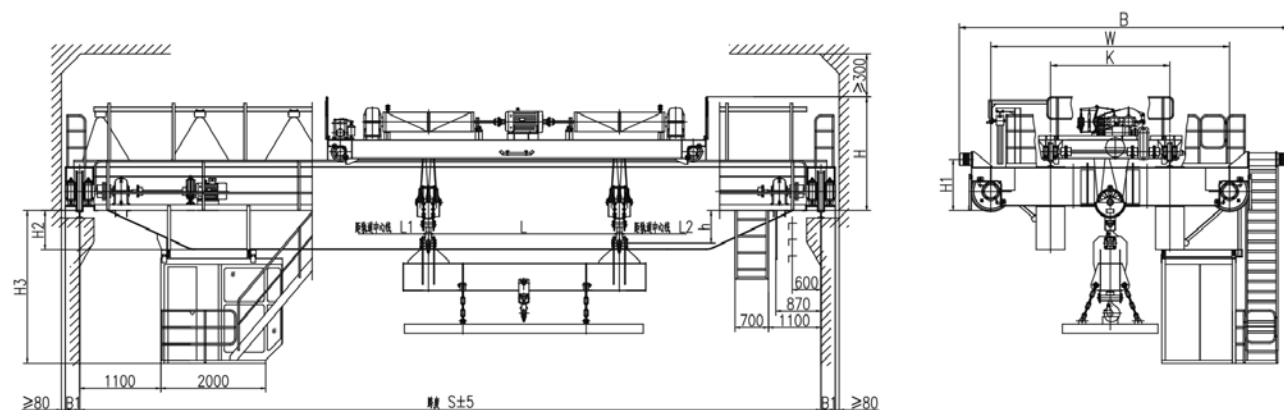
挂梁平行于主梁  
The Spreader Beam Is Parallel To The Main Beam



挂梁垂直于主梁  
The Spreader Beam Is Perpendicular To The Main Beam

技术参数 Technical Data

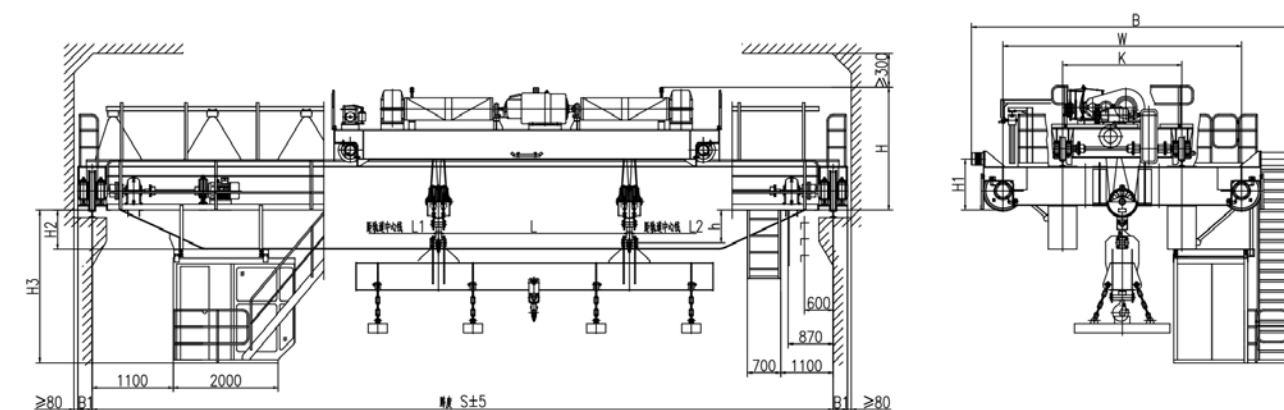
15T Overhead Crane With Electromagnetic Spreader Beam (Parallel To The Main Beam)



起重量 (t)	Cap	15									
跨度 (m)	Span	22.5	25.5	28.5	31.5	34.5	22.5	25.5	28.5	31.5	34.5
起升高度 (m)	Lifting Height	16					16				
工作制度	Duty	A6					A7				
速度 Speed (m/min)											
起升	Hoisting	13.2					15.8				
小车运行	Crab Travelling	36.7					36.6				
大车运行	Trolley Travelling	101.4					103.9				
极限尺寸 Limit Dimension (mm)	L	3000					4000				
	L1	2250					2250				
	L2	2000					2000				
	h	443		343			750				
主要尺寸 Main Dimensions (mm)	H	2208			2308			2290		2390	
	H1	940			1040			940		1040	
	H2	390	540	690	840	840	392	542	692	842	842
	H3	2810	2960	3110	3260	3260	2812	2962	3112	3262	3262
	K	2000					2500				
	W	4400		5000			4900		5500		
	B	6234		6844			6784		7394		7464
B1	260					260					
最大轮压 (KN)	Max. Wheel Loading	175	190	203	215	230	205	218	230	237	250
电机总功率 (KW)	Span	63					79.5				
荐用钢轨	Crane Rail Recommended	43kg/m 或 QU70									
电源	Power Supply	三相交流 3-Phase A.C. 50HZ 380V									

技术参数 Technical Data

20T Overhead Crane With Electromagnetic Spreader Beam (Parallel To The Main Beam)

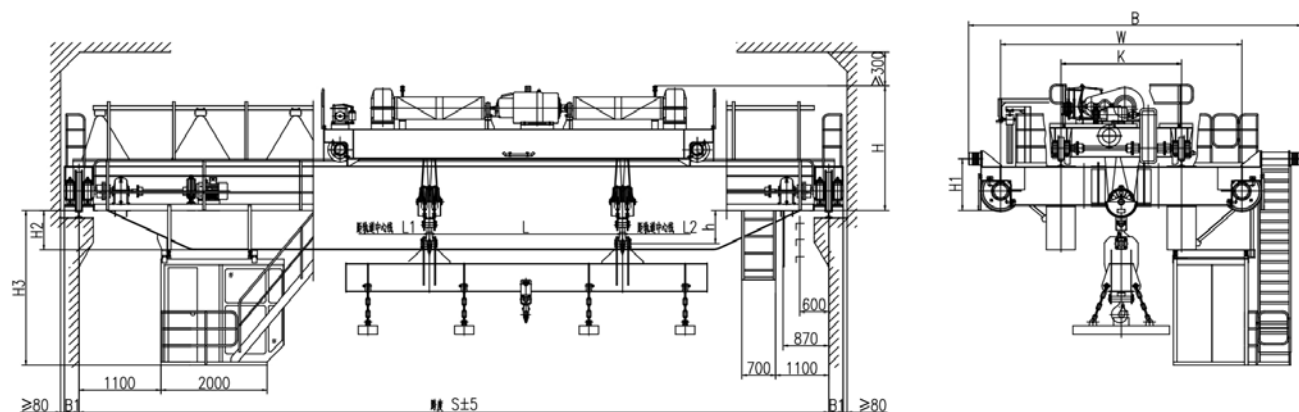


起重量 (t)	Cap	20									
跨度 (m)	Span	22.5	25.5	28.5	31.5	34.5	22.5	25.5	28.5	31.5	34.5
起升高度 (m)	Lifting Height	16					15				
工作制度	Duty	A6					A7				
速度 Speed (m/min)											
起升	Hoisting	12.6					15.8				
小车运行	Crab Travelling	36.2					42.8				
大车运行	Trolley Travelling	89					103.9				
极限尺寸 Limit Dimension (mm)	L	4000					4000				
	L1	2250					2350				
	L2	2000					2100				
	h	441		341			750				
主要尺寸 Main Dimensions (mm)	H	2310			2410			2310		2570	
	H1	940			1040			940		1080	
	H2	392	542	692	842	842	542	692	842	992	1042
	H3	2812	2962	3112	3262	3262	2962	3112	3262	3412	3462
	K	2500					3000				
	W	4900		5500			5400		5500		
	B	6734		7344			7354		7464		7398
B1	260					260					
最大轮压 (KN)	Max. Wheel Loading	215	228	240	249	259	225	239	250	260	272
电机总功率 (KW)	Span	71					94.5				
荐用钢轨	Crane Rail Recommended	43kg/m 或 QU70									
电源	Power Supply	三相交流 3-Phase A.C. 50HZ 380V									



技术参数 Technical Data

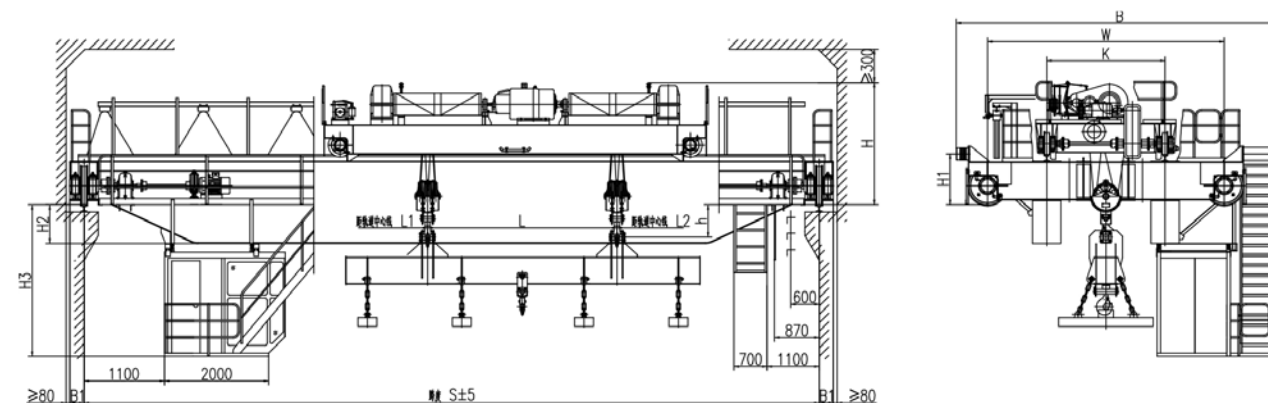
32T Overhead Crane With Electromagnetic Spreader Beam (Parallel To The Main Beam)



起重量 (t)	Cap	32										
跨度 (m)	Span	22.5	25.5	28.5	31.5	34.5	22.5	25.5	28.5	31.5	34.5	
起升高度 (m)	Lifting Height	15					16					
工作制度	Duty	A6					A7					
速度 Speed (m/min)												
起升	Hoisting	12.5					15.1					
小车运行	Crab Travelling	37					43.3					
大车运行	Trolley Travelling	87.3					104.3					
极限尺寸 Limit Dimension (mm)	L	4000					4000					
	L1	2350					2650					
	L2	2100					2400					
	h	494		390			750					
主要尺寸 Main Dimensions (mm)	H	2626					2730		2750			2860
	H1	1070					1170		1110			1210
	H2	416	566	716	816	820	566	716	866	1016	1020	
	H3	2836	2986	3136	3236	3240	2986	3136	3286	3436	3440	
	K	3000					3000					
	W	5300		5500			5300		5500			
	B	7258		7478			7378		7482			
B1	300					300						
最大轮压 (KN)	Max. Wheel Loading	305	322	332	345	357	320	335	348	360	370	
电机总功率 (KW)	Span	111.3					135.5					
荐用钢轨	Crane Rail Recommended	43kg/m 或 QU70					QU80					
电源	Power Supply	三相交流 3-Phase A.C. 50HZ 380V					三相交流 3-Phase A.C. 50HZ 380V					

技术参数 Technical Data

20T+20T Overhead Crane With Electromagnetic Spreader Beam (Parallel To The Main Beam)

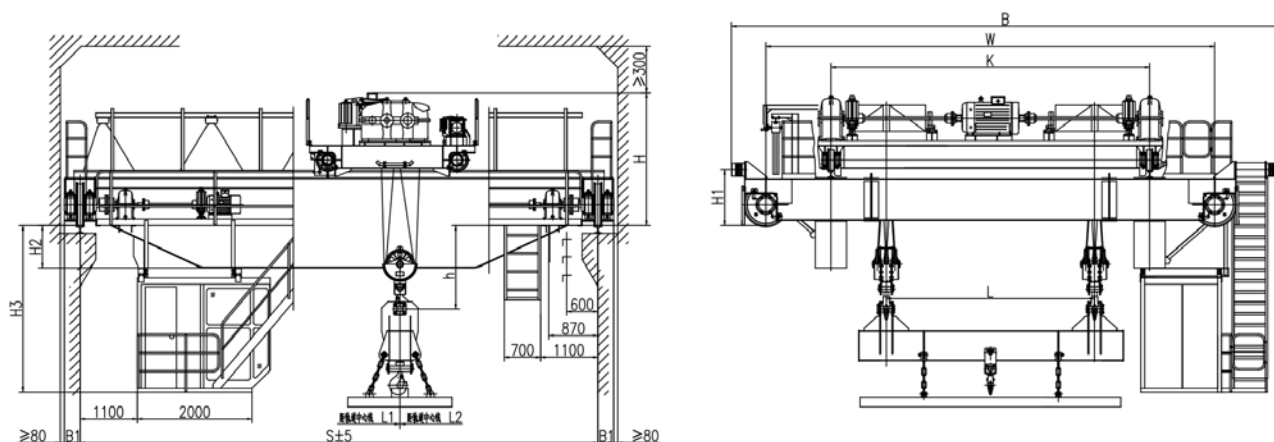


起重量 (t)	Cap	20+20										
跨度 (m)	Span	22.5	25.5	28.5	31.5	34.5	22.5	25.5	28.5	31.5	34.5	
起升高度 (m)	Lifting Height	16					16					
工作制度	Duty	A6					A7					
速度 Speed (m/min)												
起升	Hoisting	11.7					15.3					
小车运行	Crab Travelling	37.5					43.2					
大车运行	Trolley Travelling	87.3					113.9					
极限尺寸 Limit Dimension (mm)	L	4000					4000					
	L1	2650					2650					
	L2	2400					2400					
	h	470		368			750					
主要尺寸 Main Dimensions (mm)	H	2754					2856		2800			2900
	H1	1130					1230		1130			1230
	H2	400	550	700	800	802	550	700	850	1000	1002	
	H3	2820	2970	3020	3220	3222	2970	3120	3270	3420	3422	
	K	3000					3000					
	W	5300		5500			5300		5500			
	B	7430	7630	7562			7360	7560	7630			
B1	300					300						
最大轮压 (KN)	Max. Wheel Loading	330	347	358	375	385	345	363	375	390	399	
电机总功率 (KW)	Span	128.5		142.5			173					
荐用钢轨	Crane Rail Recommended	QU100										
电源	Power Supply	三相交流 3-Phase A.C. 50HZ 380V										



技术参数 Technical Data

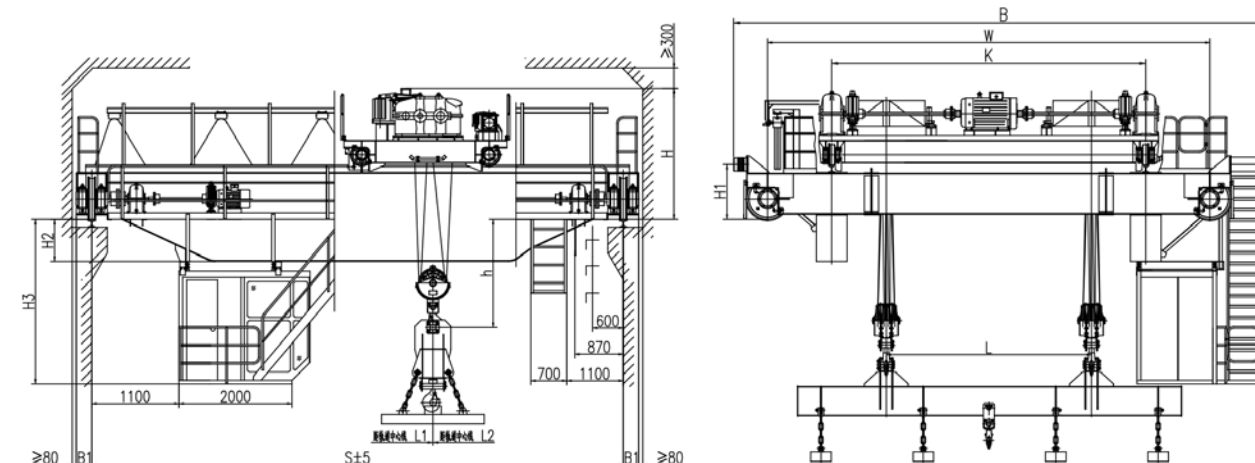
7.5T+7.5T Overhead Crane With Electromagnetic Spreader Beam (Perpendicular To The Main Beam)



起重量 (t)	Cap	7.5+7.5									
跨度 (m)	Span	22.5	25.5	28.5	31.5	34.5	22.5	25.5	28.5	31.5	34.5
起升高度 (m)	Lifting Height	16					16				
工作制度	Duty	A6					A7				
速度 Speed (m/min)											
起升	Hoisting	13.2					15.8				
小车运行	Crab Travelling	36.7					36.6				
大车运行	Trolley Travelling	101.4					103.9				
极限尺寸 Limit Dimension (mm)	L	3000					4000				
	L1	1500					1500				
	L2	1500					1500				
	h	441		341		750		650			
主要尺寸 Main Dimensions (mm)	H	2190		2290		2300		2400			
	H1	940		1040		940		1040			
	H2	392	542	692	842	842	394	544	694	844	844
	H3	2812	2962	3112	3262	3262	2814	2964	3114	3264	3264
	K	5000					6000				
	W	7400		8000		8400		9000			
	B	9234		9844		10284		10894		10964	
B1	260					260					
最大轮压 (KN)	Max. Wheel Loading	190	205	217	229	244	205	219	230	237	250
电机总功率 (KW)	Span	63					79.5				
荐用钢轨	Crane Rail Recommended	43kg/m 或 QU70					43kg/m 或 QU70				
电源	Power Supply	三相交流 3-Phase A.C. 50HZ 380V					三相交流 3-Phase A.C. 50HZ 380V				

技术参数 Technical Data

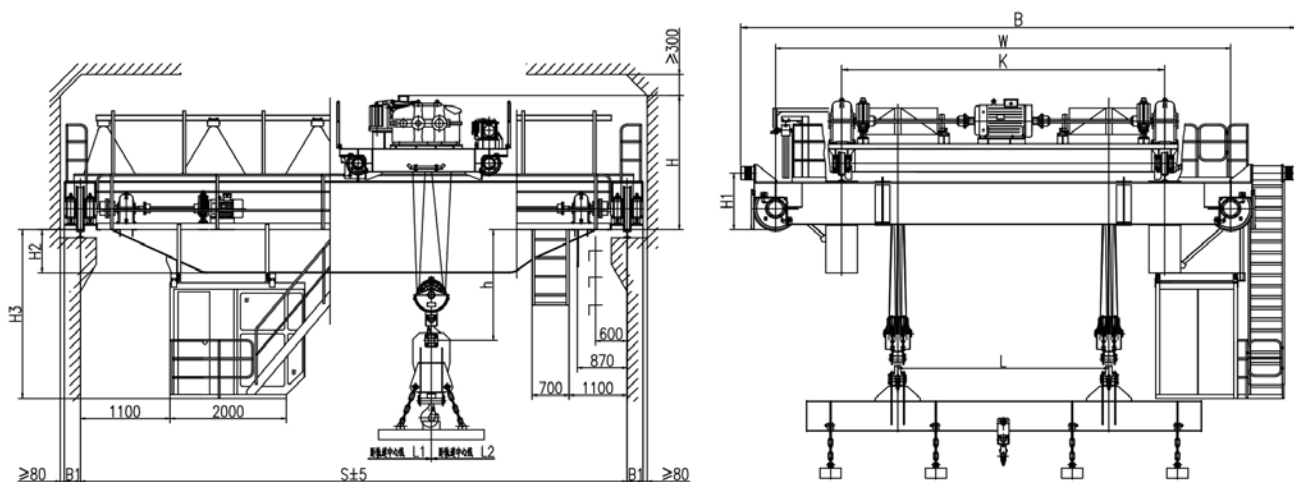
10T+10T Overhead Crane With Electromagnetic Spreader Beam (Perpendicular To The Main Beam)



起重量 (t)	Cap	10+10									
跨度 (m)	Span	22.5	25.5	28.5	31.5	34.5	22.5	25.5	28.5	31.5	34.5
起升高度 (m)	Lifting Height	16					15				
工作制度	Duty	A6					A7				
速度 Speed (m/min)											
起升	Hoisting	12.6					15.8				
小车运行	Crab Travelling	36.2					42.8				
大车运行	Trolley Travelling	89					103.9				
极限尺寸 Limit Dimension (mm)	L	4000					4000				
	L1	1500					1700				
	L2	1500					1700				
	h	439		339		900		800			
主要尺寸 Main Dimensions (mm)	H	2292		2392		2310		2570			
	H1	940		1040		940		1080			
	H2	394	544	694	844	844	544	694	844	994	1044
	H3	2814	2964	3114	3264	3264	2964	3114	3264	3414	3464
	K	6000					6000				
	W	8400		9000		8400		9000			
	B	10234		10844		10354		10964			
B1	260					260					
最大轮压 (KN)	Max. Wheel Loading	225	236	251	260	270	235	247	263	271	280
电机总功率 (KW)	Span	71					94.5				
荐用钢轨	Crane Rail Recommended	43kg/m 或 QU70									
电源	Power Supply	三相交流 3-Phase A.C. 50HZ 380V									

技术参数 Technical Data

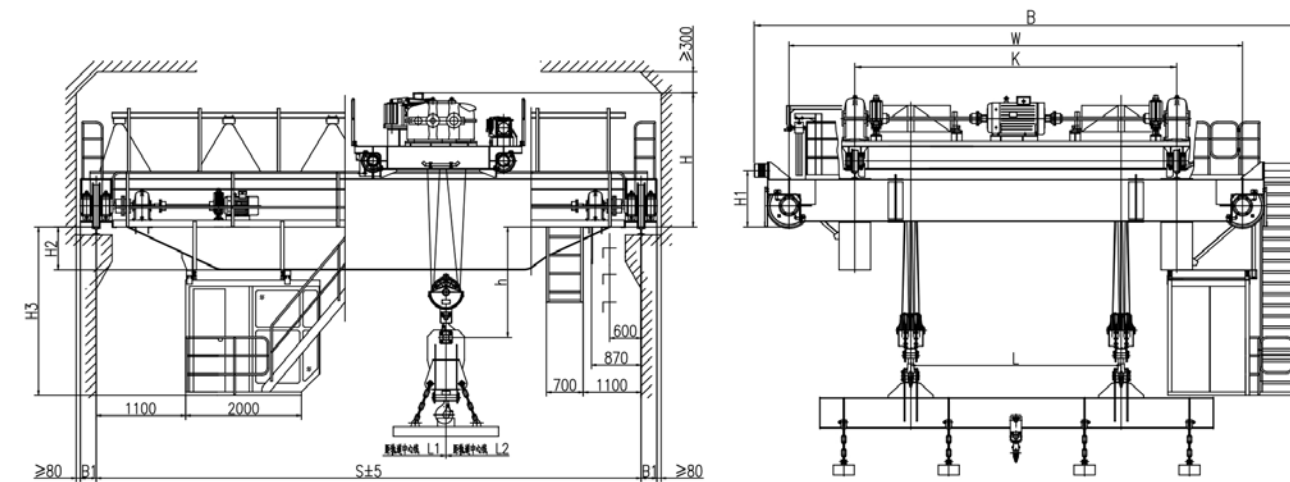
16T+16T Overhead Crane With Electromagnetic Spreader Beam (Perpendicular To The Main Beam)



起重量 (t)	Cap	16+16											
跨度 (m)	Span	22.5	25.5	28.5	31.5	34.5	22.5	25.5	28.5	31.5	34.5		
起升高度 (m)	Lifting Height	15						16					
工作制度	Duty	A6						A7					
速度 Speed (m/min)													
起升	Hoisting	12.5						15.1					
小车运行	Crab Travelling	37						43.3					
大车运行	Trolley Travelling	87.3						104.3					
极限尺寸 Limt Dimenstion (mm)	L	4000						4000					
	L1	1700						1700					
	L2	1700						1800					
	h	690			590			900			800		
主要尺寸 Main Dimensions (mm)	H	2540			2640			2650			2750		
	H1	1070			1170			1070			1110		
	H2	420	570	720	820	820	570	720	870	1020	1020		
	H3	2840	2990	3140	3240	3240	2990	3140	3290	3440	3440		
	K	6000						6500					
	W	8300			8500			8800			9000		
	B	10258		10478		10878		10982		11054			
	B1	300						300					
最大轮压 (KN)	Max. Wheel Loading	315	330	343	355	365	330	345	358	370	380		
电机总功率 (KW)	Span	111.3						135.5					
荐用钢轨	Crane Rail Recommended	43kg/m 或 QU70						QU80					
电源	Power Supply	三相交流 3-Phase A.C. 50HZ 380V						三相交流 3-Phase A.C. 50HZ 380V					

技术参数 Technical Data

20T+20T Overhead Crane With Electromagnetic Spreader Beam (Perpendicular To The Main Beam)



起重量 (t)	Cap	20+20											
跨度 (m)	Span	22.5	25.5	28.5	31.5	34.5	22.5	25.5	28.5	31.5	34.5		
起升高度 (m)	Lifting Height	16						16					
工作制度	Duty	A6						A7					
速度 Speed (m/min)													
起升	Hoisting	11.7						15.3					
小车运行	Crab Travelling	37.5						43.2					
大车运行	Trolley Travelling	87.3						113.9					
极限尺寸 Limt Dimenstion (mm)	L	4000						4000					
	L1	1600						1600					
	L2	1800						1800					
	h	668			566			900			800		
主要尺寸 Main Dimensions (mm)	H	2642			2744			2750			2850		
	H1	1130			1230			1130			1230		
	H2	402	552	702	802	804	552	702	852	1002	1004		
	H3	2822	2972	3022	3222	3224	2972	3122	3272	3422	3424		
	K	6500						6500					
	W	8800			9000			8800			9000		
	B	10930		11130		11062		10862		11062		11132	
	B1	300						300					
最大轮压 (KN)	Max. Wheel Loading	358	375	388	405	425	373	390	403	420	440		
电机总功率 (KW)	Span	128.5			142.5			173					
荐用钢轨	Crane Rail Recommended	QU100						QU100					
电源	Power Supply	三相交流 3-Phase A.C. 50HZ 380V						三相交流 3-Phase A.C. 50HZ 380V					

# QL型电动旋转电磁桥式起重机

## QL Model Overhead Crane With Electric Rotation Function



### 简介 A Brief Introduction

1. 本起重机带有可旋转功能，适用于钢厂，船厂，港口，堆场，和仓储等室内或露天的固定跨度车间，装卸及搬运钢板，型钢，盘卷等物料。特别适用于吊运不同规格且需要水平旋转的场合。挂梁为十字架结构，可靠及安全性好，具有一定的防摇摆功能。挂梁下可以携带电磁吸盘，夹钳等专用吊具。

2. 旋转功能通过两种方式实现，一种是吊钩下配有电动旋转吊具。另一种是其起升机构具有旋转小车。后者的操作效率更高。

3. 本起重机的起重量指的是吊钩以下；本起重机的自重不包含电磁铁的重量。

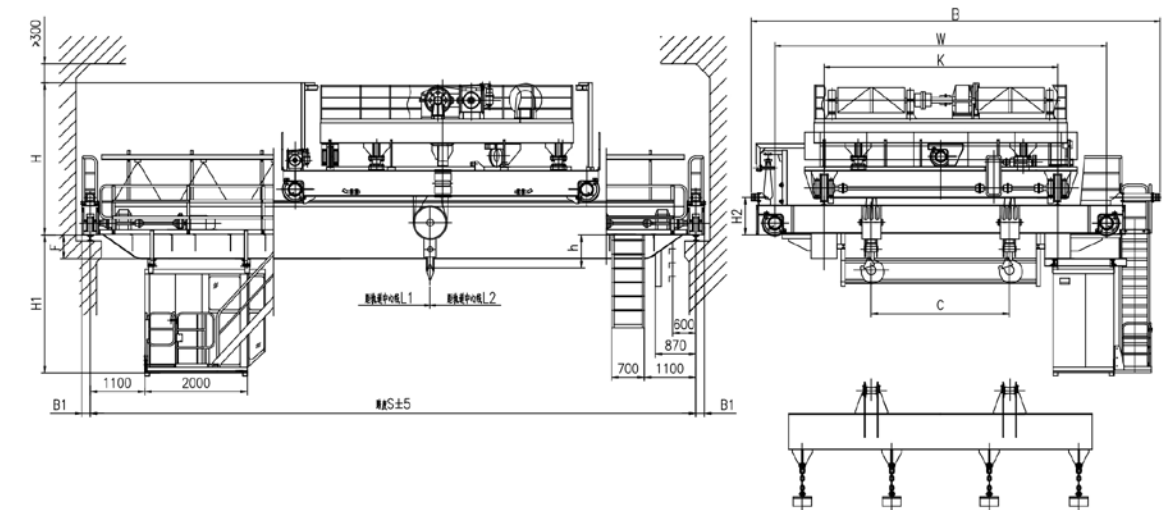
1. The crane has a rotatable function, suitable for fixed span workshops in the interior or open air, such as steel mills, shipyards, ports, yards and warehouses, loading, unloading, and handling steel plates, sections, rolls and other materials. Especially suitable for lifting of different specifications and need horizontal rotation occasions. The hanging beam is a cross structure, reliable and safe, with certain anti-swaying function. Under the hanging beam can carry electromagnetic suckers, clamps and others special spreader.

2. The rotation function is realized in two ways. One is equipped with an electric rotary spreader under the hook. The other is that the lifting mechanism has a rotating trolley. The latter is more efficient.

3. The lifting capacity of the crane refers to the following hooks; The weight of the crane does not include the weight of the electromagnet.

### 技术参数 Technical Data

#### 20T Overhead Crane With Rotary Lift Mechanism

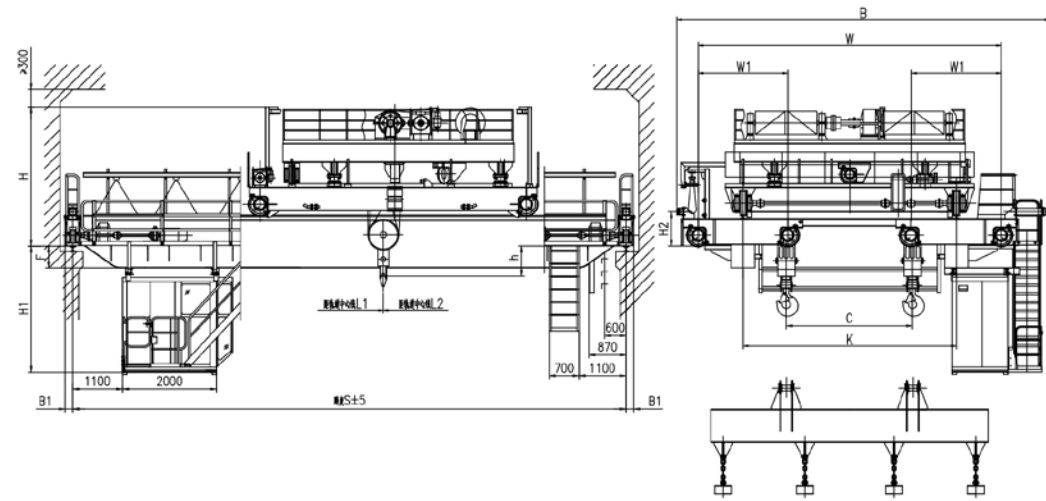


起重量 (t)	Cap	20													
跨度 (m)	Span	19.5	22.5	25.5	28.5	31.5	34.5	19.5	22.5	25.5	28.5	31.5	34.5		
起升高度 (m)	Lifting Height	16						16							
工作制度	Duty	A6						A7							
速度 Speed (m/min)															
主钩	Main Lifting	13.4						15.8							
旋转	Turn Round	1.6 r/min						1.6 r/min							
小车运行	Crab Travelling	37						43							
大车运行	Trolley Travelling	87.3						104.3							
极限尺寸 Limit Dimension (mm)	L1	4000						4000							
	L2	3700						3700							
	C	3900						3900							
	h	650						650							
	H	4000						4100		4000				4100	
	H1	2686	2836	2986	3136	3236	3236	2786	2936	3086	3236	3336	3336		
主要尺寸 Main Dimensions (mm)	H2	1200						1200							
	W	8200			8500			8200			8500				
	B	10108			10328			10108			10328				
	K	6000						6000							
	B1	300						300							
	F	266	416	566	716	816	816	366	516	666	816	916	916		
最大轮压 (KN)	Max. Wheel Loading	301	315	332	343	355	370	312	326	344	355	367	383		
电机总功率 (KW)	Span	95.3						112.5							
荐用钢轨	Crane Rail Recommended	QU80													
电源	Power Supply	三相交流 3-Phase A.C. 50HZ 380V													



技术参数 Technical Data

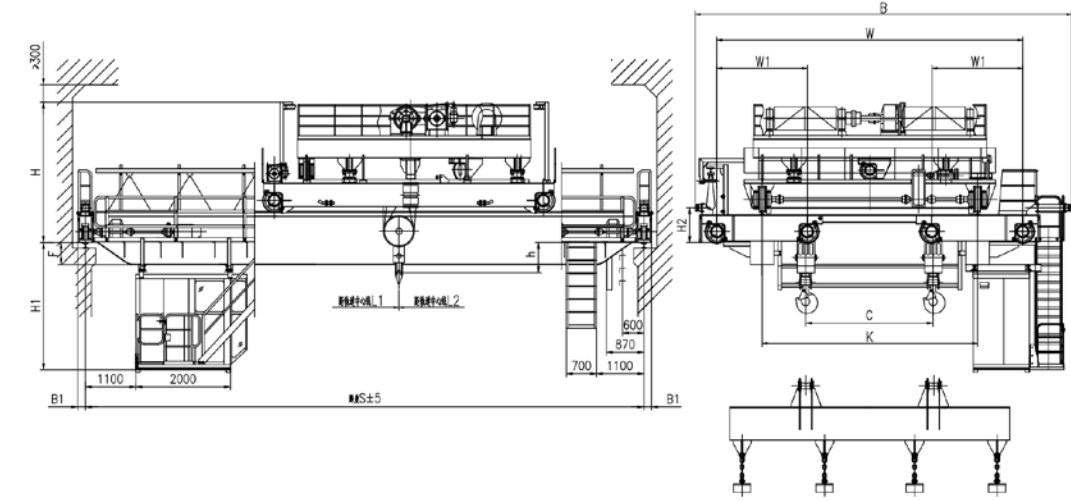
32T Overhead Crane With Rotary Lift Mechanism



起重量 (t)	Cap	32												
跨度 (m)	Span	19.5	22.5	25.5	28.5	31.5	34.5	19.5	22.5	25.5	28.5	31.5	34.5	
起升高度 (m)	Lifting Height	16						16						
工作制度	Duty	A6						A7						
速度 Speed (m/min)														
主钩	Main Lifting	12.8						15						
旋转	Turn Round	1.64 r/min						1.64 r/min						
小车运行	Crab Travelling	32						43						
大车运行	Trolley Travelling	90.8						106.4						
极限尺寸 Limit Dimension (mm)	L1	4100						4150						
	L2	3800						3800						
	C	3800						3800						
	h	750						750						
	H	4250				4350		4400				4500		
主要尺寸 Main Dimensions (mm)	H1	2672	2822	2972	3122	3224	3224	2772	2922	3072	3222	3324	3324	
	H2	1200						1200						
	W	8300			8500			8300			8500			
	W1	2300			2500			2300			2500			
	B	10358			10558			10358			10558			
	K	6000						6000						
	B1	300						300						
	F	252	402	552	702	804	804	352	502	652	802	904	904	
	最大轮压 (KN)	Max. Wheel Loading	201	210	220	232	240	252	208	219	230	243	255	266
	电机总功率 (KW)	Span	134.3						159.3					
荐用钢轨	Crane Rail Recommended	QU80												
电源	Power Supply	三相交流 3-Phase A.C. 50HZ 380V												

技术参数 Technical Data

40T Overhead Crane With Rotary Lift Mechanism

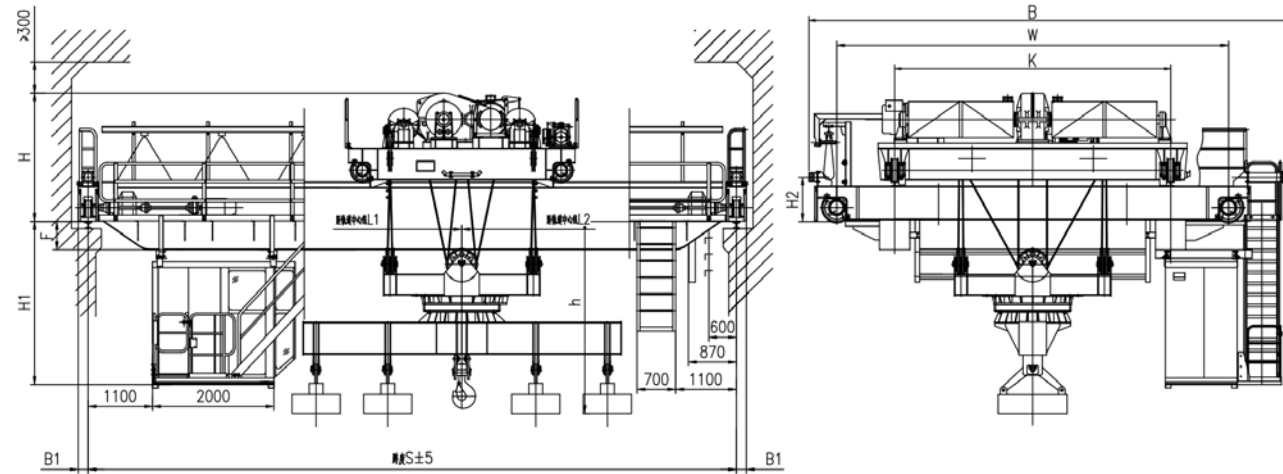


起重量 (t)	Cap	40												
跨度 (m)	Span	19.5	22.5	25.5	28.5	31.5	34.5	19.5	22.5	25.5	28.5	31.5	34.5	
起升高度 (m)	Lifting Height	16						16						
工作制度	Duty	A6						A7						
速度 Speed (m/min)														
主钩	Main Lifting	12						15						
旋转	Turn Round	1.56 r/min						1.64 r/min						
小车运行	Crab Travelling	33.5						43						
大车运行	Trolley Travelling	90.8						106.4						
极限尺寸 Limit Dimension (mm)	L1	4150						4150						
	L2	3850						3850						
	C	3800						3800						
	h	850						850						
	H	4550				4650		4670				4770		
主要尺寸 Main Dimensions (mm)	H1	2724	2874	3024	3174	3324	3324	2824	2974	3124	3274	3424	3424	
	H2	1200						1200						
	W	8300			8500			8300			8500			
	W1	2300			2500			2300			2500			
	B	10358			10558			10358			10558			
	K	6000						6000						
	B1	300						300						
	F	304	454	604	754	904	904	404	554	704	854	1004	1004	
	最大轮压 (KN)	Max. Wheel Loading	228	240	255	265	275	288	239	250	267	273	290	303
	电机总功率 (KW)	Span	149.3						183.3					
荐用钢轨	Crane Rail Recommended	QU80												
电源	Power Supply	三相交流 3-Phase A.C. 50HZ 380V												



**技术参数 Technical Data**

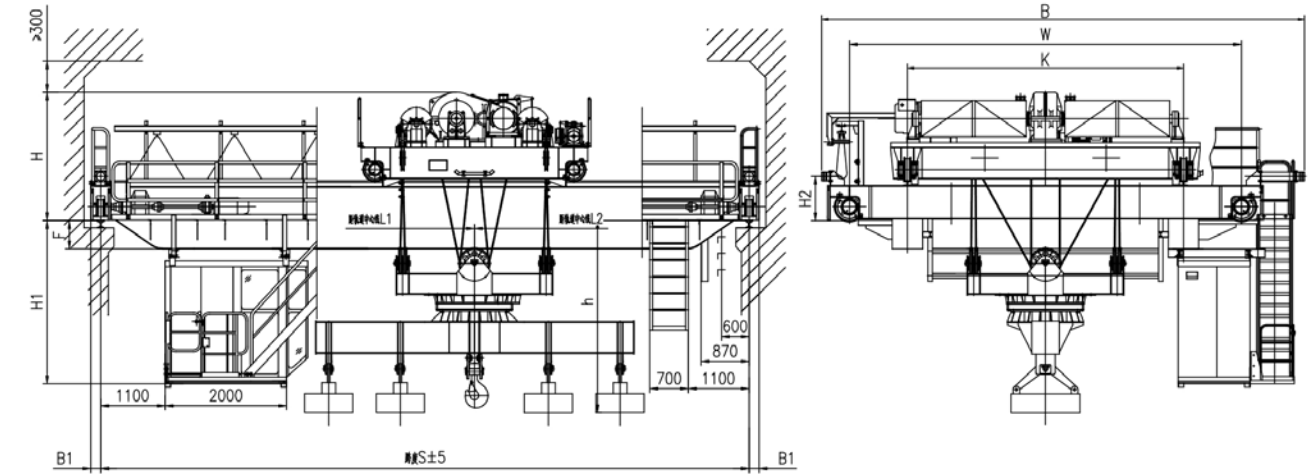
**20T Overhead Crane With Rotary Electromagnetic Spreader Beam**



起重量 (t)	Cap	20											
跨度 (m)	Span	19.5	22.5	25.5	28.5	31.5	34.5	19.5	22.5	25.5	28.5	31.5	34.5
起升高度 (m)	Lifting Height	16						16					
工作制度	Duty	A6						A7					
速度 Speed (m/min)													
主钩	Main Lifting	13.4						14.7					
旋转	Turn Round	1.2 r/min						1.2 r/min					
小车运行	Crab Travelling	37						43					
大车运行	Trolley Travelling	87.3						104.3					
极限尺寸 Limt Dimenstion (mm)	L1	2200						2200					
	L2	2500						2500					
	h	3400						3400					
主要尺寸 Main Dimensions (mm)	H	2700			2800			2800			2900		
	H1	2686	2836	2986	3136	3236	3236	2786	2936	3086	3236	3336	3336
	H2	1200						1200					
	W	7700			8000			7700			8000		
	B	9608			9828			9608			9828		
	K	5500						5500					
	B1	300						300					
	F	266	416	566	716	816	816	366	516	666	816	916	916
最大轮压 (KN)	Max. Wheel Loading	232	245	265	280	295	312	243	257	278	293	309	328
电机总功率 (KW)	Span	113.5						122.7					
荐用钢轨	Crane Rail Recommended	QU80											
电源	Power Supply	三相交流 3-Phase A.C. 50HZ 380V											

**技术参数 Technical Data**

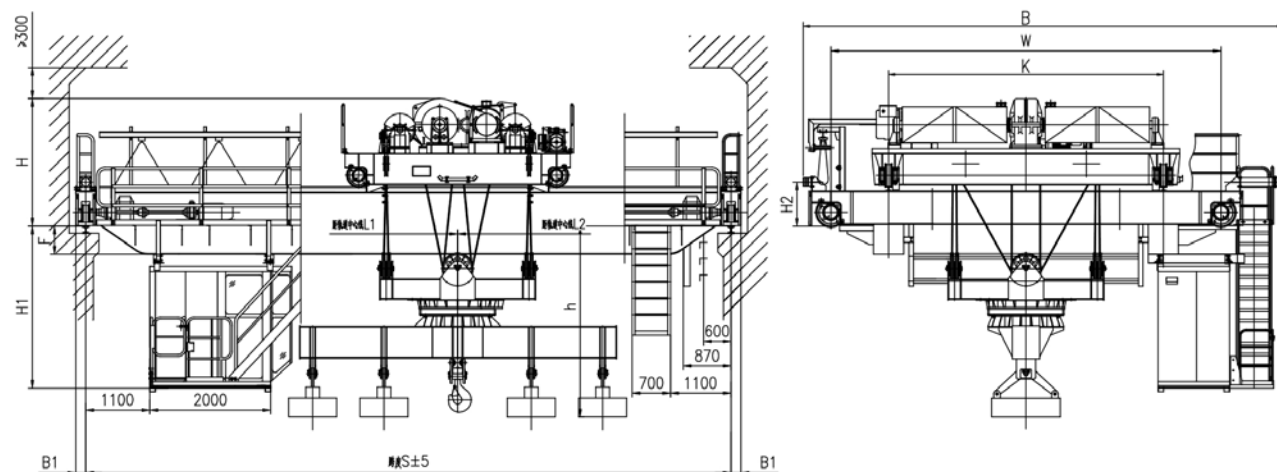
**25T Overhead Crane With Rotary Electromagnetic Spreader Beam**



起重量 (t)	Cap	25											
跨度 (m)	Span	19.5	22.5	25.5	28.5	31.5	34.5	19.5	22.5	25.5	28.5	31.5	34.5
起升高度 (m)	Lifting Height	16						16					
工作制度	Duty	A6						A7					
速度 Speed (m/min)													
主钩	Main Lifting	11.8						14.7					
旋转	Turn Round	1.2 r/min						1.2 r/min					
小车运行	Crab Travelling	37						43					
大车运行	Trolley Travelling	87.3						104.3					
极限尺寸 Limt Dimenstion (mm)	L1	2200						2200					
	L2	2500						2500					
	h	3400						3400					
主要尺寸 Main Dimensions (mm)	H	2750			2854			2850			2950		
	H1	2690	2840	2990	3140	3240	3240	2790	2940	3090	3240	3340	3340
	H2	1200						1200					
	W	7700			8000			7700			8000		
	B	9608			9828			9608			9828		
	K	5500						5500					
	B1	300						300					
	F	270	420	570	720	820	820	370	520	670	820	920	920
最大轮压 (KN)	Max. Wheel Loading	272	285	295	305	325	344	286	297	308	319	340	362
电机总功率 (KW)	Span	114.3						122.7					
荐用钢轨	Crane Rail Recommended	QU80											
电源	Power Supply	三相交流 3-Phase A.C. 50HZ 380V											

**技术参数 Technical Data**

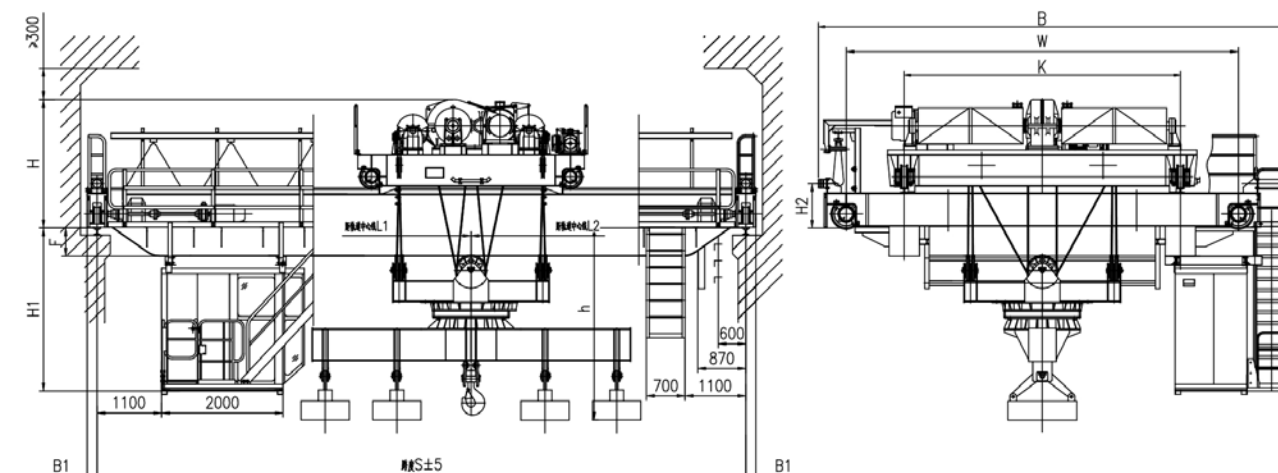
**32T Overhead Crane With Rotary Electromagnetic Spreader Beam**



起重量 (t)	Cap	32															
跨度 (m)	Span	19.5	22.5	25.5	28.5	31.5	34.5	19.5	22.5	25.5	28.5	31.5	34.5				
起升高度 (m)	Lifting Height	16						16									
工作制度	Duty	A6						A7									
速度 Speed (m/min)																	
主钩	Main Lifting	10.6						13.4									
旋转	Turn Round	1.3 r/min						1.3 r/min									
小车运行	Crab Travelling	38.5						43.1									
大车运行	Trolley Travelling	103.8						113.9									
极限尺寸 Limt Dimenstion (mm)	L1	2400						2400									
	L2	2700						2700									
	h	3800						3800									
主要尺寸 Main Dimensions (mm)	H	2910				3010				3040				3140			
	H1	2674	2824	2974	3124	3224	3224	2774	2924	3074	3224	3324	3324				
	H2	1200						1200									
	W	7800			8000			7700			8000						
	B	9858			10058			9608			9828						
	K	5500						5500									
	B1	300						300									
	F	254	404	554	704	804	804	354	504	654	804	904	904				
最大轮压 (KN)	Max. Wheel Loading	328	340	355	365	385	407	344	358	373	384	405	425				
电机总功率 (KW)	Span	148						178.5									
荐用钢轨	Crane Rail Recommended	QU80															
电源	Power Supply	三相交流 3-Phase A.C. 50HZ 380V															

**技术参数 Technical Data**

**40T Overhead Crane With Rotary Electromagnetic Spreader Beam**



起重量 (t)	Cap	40															
跨度 (m)	Span	19.5	22.5	25.5	28.5	31.5	34.5	19.5	22.5	25.5	28.5	31.5	34.5				
起升高度 (m)	Lifting Height	16						16									
工作制度	Duty	A6						A7									
速度 Speed (m/min)																	
主钩	Main Lifting	10.5						13.4									
旋转	Turn Round	1.3 r/min						1.3 r/min									
小车运行	Crab Travelling	37.5						43.1									
大车运行	Trolley Travelling	103.8						106.4									
极限尺寸 Limt Dimenstion (mm)	L1	2500						2500									
	L2	2800						2850									
	h	4000						4000									
主要尺寸 Main Dimensions (mm)	H	3020				3120				3209				3309			
	H1	2674	2924	3074	3224	3324	3224	2774	3024	3174	3324	3424	3424				
	H2	1200						1200									
	W	7800			8000			7800			8000						
	B	9858			10058			9858			10058						
	K	5500						5500									
	B1	300						300									
	F	254	504	654	804	904	904	354	604	754	904	1004	1004				
最大轮压 (KN)	Max. Wheel Loading	366	385	405	413	430	448	390	406	425	434	449	470				
电机总功率 (KW)	Span	170						205.5									
荐用钢轨	Crane Rail Recommended	QU80						QU100									
电源	Power Supply	三相交流 3-Phase A.C. 50HZ 380V						三相交流 3-Phase A.C. 50HZ 380V									

# QDY/YZ 型铸造冶金桥式起重机

QDY/YZ Model Overhead Crane For Casting, Foundry And Metallurgy



## 简介 A Brief Introduction

铸造起重机是炼钢连铸工艺中的主要设备，主要用于吊运和转运液态钢包。

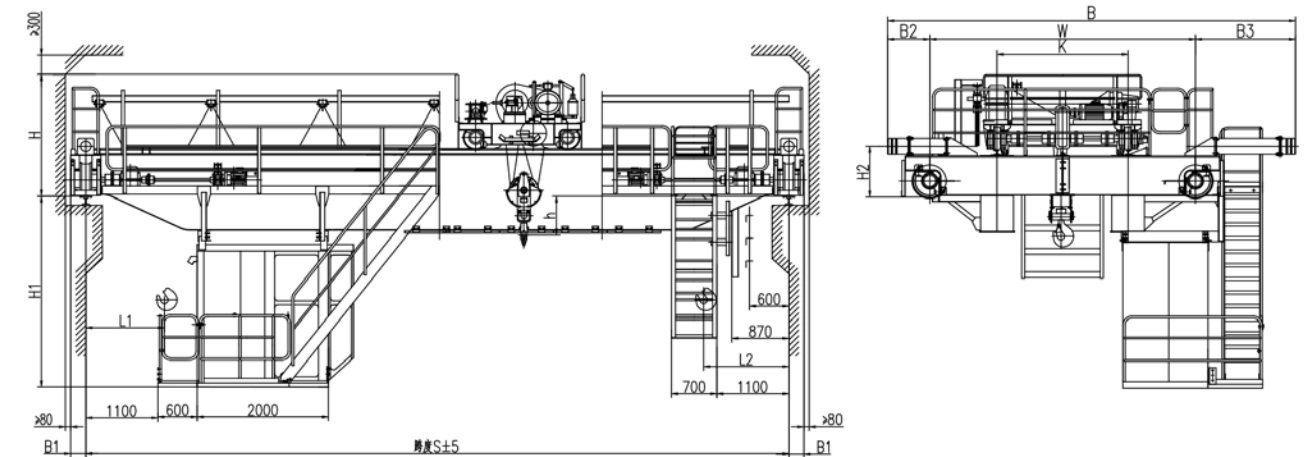
有以下功能供用户选配：可旋转吊具；龙门钩钩距可变；载荷的称重及显示。

Casting crane is the main equipment in steelmaking and continuous casting process, which is mainly used for lifting and transferring liquid ladle

The following functions are optional for users: Rotatable spreader; The distance of gantry hooks is variable; Load weighing and display.

## 技术参数 Technical Data

5-10t QDY Model Metallurgical Crane

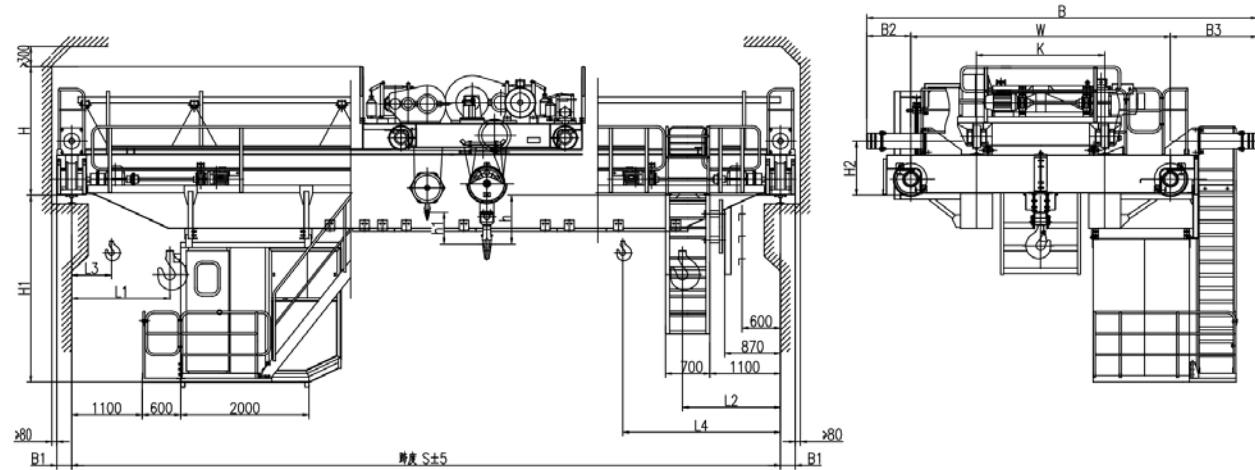


起重量 (t)	Lifting Capacity	5								10															
跨度 (m)	Span	10.5	13.5	16.5	19.5	22.5	25.5	28.5	31.5	10.5	13.5	16.5	19.5	22.5	25.5	28.5	31.5								
起升高度 (m)	Lifting Height	16								20															
工作制度	Duty	A7								A7															
速度 Speed (m/min)																									
起升	Hoisting	12.9								13															
小车运行	Crab Travelling	39.5								35.2															
大车运行	Trolley Travelling	93.7				95.2				95.2				88.3											
极限尺寸 Limit Dimension (mm)	L	1600								1600															
	L2	1250								1300															
	h	71								602				552											
	H	1763								1876				1926											
主要尺寸 Main Dimensions (mm)	H1	2598	2648	2748	2898	2948	3098	3248	3398	2598	2648	2748	2898	2948	3048	3198	3348								
	H2	800+H0				800+H0				800+H0				850+H0											
	B	5158				5308				6268				5808				6048				6628			
	K	1400								2000															
	W	3400				3550				5000				4050				5000							
	B1	230								230															
	B2	514				634				514				634											
B3	1244				634				1244				1364				994								
最大轮压 (KN)	Max. Wheel Loading	80	87	92	101	107	123	134	143	112	120	129	138	145	160	171	181								
电机总功率 (KW)	Span	24.5				27.1				40.1				45.5											
荐用钢轨	Crane Rail Recommended	43kg/m								43kg/m															
电源	Power Supply	三相交流 3-Phase A.C. 50HZ 380V								三相交流 3-Phase A.C. 50HZ 380V															



技术参数 Technical Data

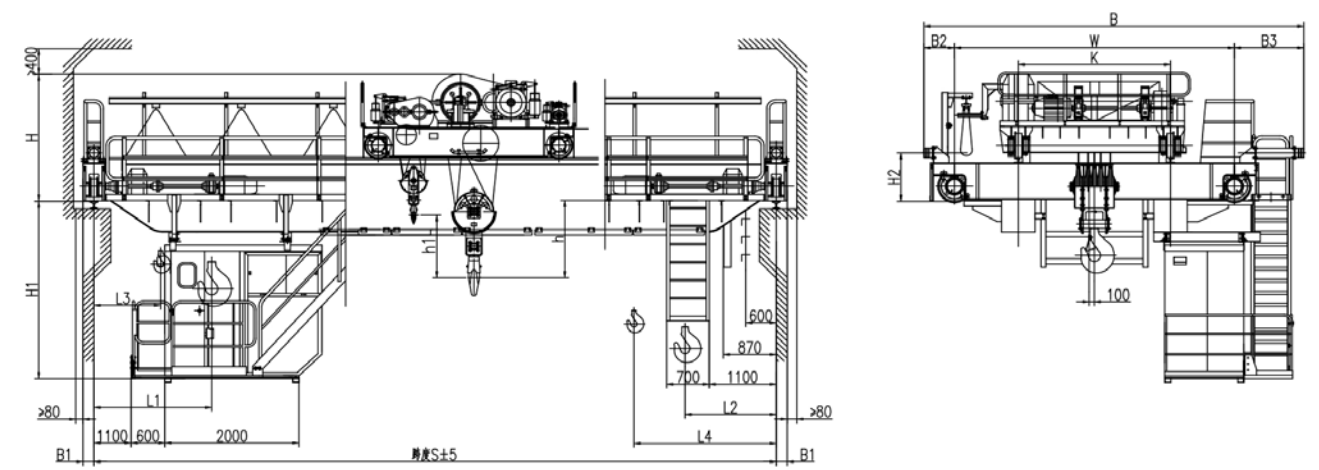
16/3.2T-20/5T QDY Model Metallurgical Crane



起重量 (t)	Lifting Capacity	16/32								20/5									
跨度 (m)	Span	10.5	13.5	16.5	19.5	22.5	25.5	28.5	31.5	10.5	13.5	16.5	19.5	22.5	25.5	28.5	31.5		
起升高度-主钩 (m)	Lifting Height-Main	16								12									
起升高度-副钩 (m)	Lifting Height-Aux.t	18								14									
工作制度	Duty	A7								A7									
速度 Speed (m/min)																			
主钩	Main	10.9								9.8									
副钩	Aux.	11.5								12.75									
小车运行	Crab Travelling	31								37									
大车运行	Trolley Travelling	87.8				90.4				88.3				90.9					
极限尺寸 Limt Dimension (mm)	L1	1930								1980									
	L2	1530								1530									
	L3	1070								1050									
	L4	2390								2460									
	h	729	727	637	639				701	699	609								
h1	770								496										
主要尺寸 Main Dimensions (mm)	H	2095	2097	2187	2185				2097	2099	2185								
	H1	2600	2600	2700	2760	2910	3060	3210	3360	2600	2602	2702	2764	2912	3062	3212	3362		
	H2	850+H0			940+H0				850+H0				940+H0						
	B	6278			6428			7038			6278			6428			7038		
	K	2000								2000									
	W	4400				5000				4400				5000					
	B1	230			260			230			260								
	B2	614			684			689			614			684			689		
B3	1264			1344			1349			1264			1344			1349			
最大轮压 (KN)	Max. Wheel Loading	152	159	168	182	190	204	216	229	176	183	193	207	216	231	242	253		
电机总功率 (KW)	Span	54.3				59.7				71.7				79.7					
荐用钢轨	Crane Rail Recommended	43kg/m or QU70								43kg/m or QU70									
电源	Power Supply	三相交流 3-Phase A.C. 50HZ 380V								三相交流 3-Phase A.C. 50HZ 380V									

技术参数 Technical Data

32/5T-50/10T QDY Model Metallurgical Crane

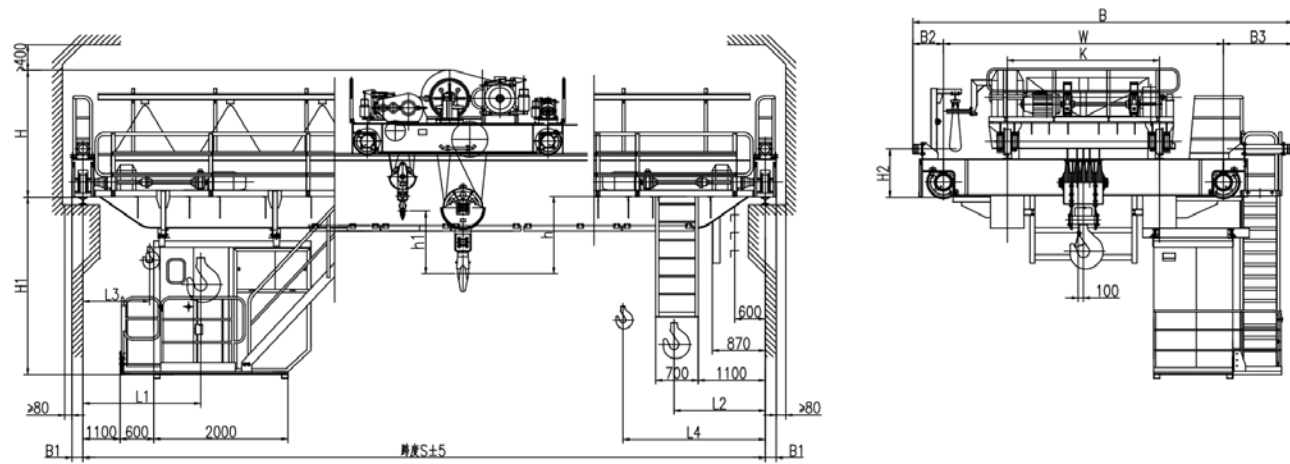


起重量 (t)	Lifting Capacity	32/5								50/10															
跨度 (m)	Span	13.5	16.5	19.5	22.5	25.5	28.5	31.5	13.5	16.5	19.5	22.5	25.5	28.5	31.5										
起升高度-主钩 (m)	Lifting Height-Main	16								12															
起升高度-副钩 (m)	Lifting Height-Aux.t	18								16															
工作制度	Duty	A7								A7															
速度 Speed (m/min)																									
主钩	Main	7.7								6.3															
副钩	Aux.	12.75								10.5															
小车运行	Crab Travelling	37.6								31.8															
大车运行	Trolley Travelling	90.9				77				77				77.8											
极限尺寸 Limt Dimension (mm)	L1	2050								2200															
	L2	1700								2000															
	L3	1070								1005															
	L4	2680								3195															
	h	701	571				1018	1012																	
h1	790								948																
主要尺寸 Main Dimensions (mm)	H	2351	2451	2481				2750	2754																
	H1	2666	2816	2834	3034	3184	3334	3434	2616	2672	2822	3022	3172	3322	3422										
	H2	940+H0			1070+H0				1090+H0																
	B	6588			6848			7068			6828			6998			7198								
	K	2500								2500															
	W	4650				4700				5000				4800				5000							
	B1	260			300			300																	
	B2	664			734			714			784														
B3	1274			1414			1334			1314			1414												
最大轮压 (KN)	Max. Wheel Loading	262	277	296	310	327	339	354	365	388	409	426	445	460	481										
电机总功率 (KW)	Span	90.5								118.5								130.5							
荐用钢轨	Crane Rail Recommended	QU70 or 方钢90								QU80 or 方钢100															
电源	Power Supply	三相交流 3-Phase A.C. 50HZ 380V								三相交流 3-Phase A.C. 50HZ 380V															



技术参数 Technical Data

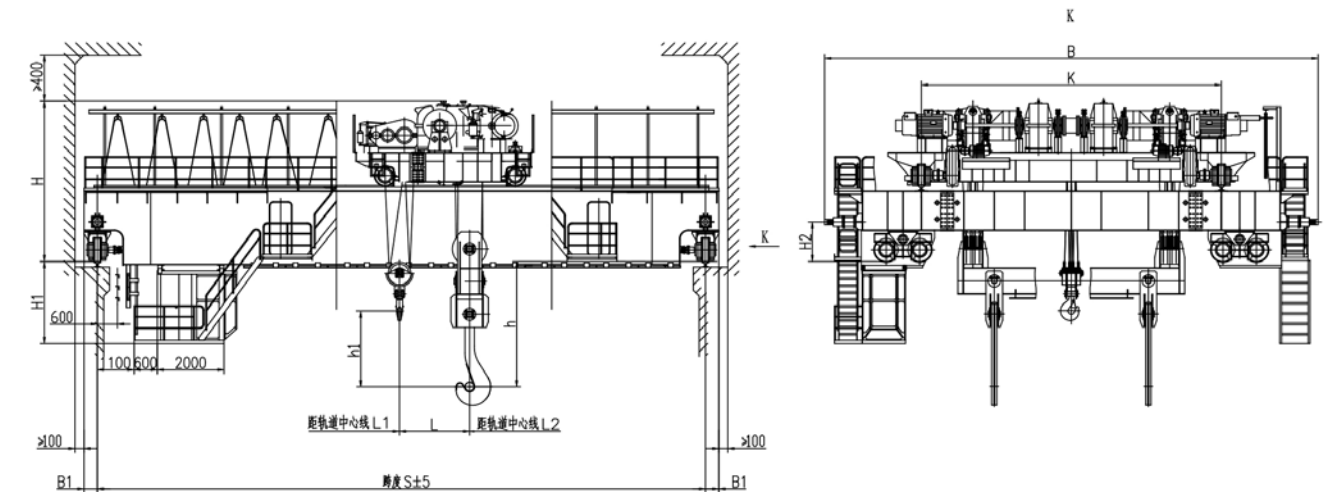
74/20T QDY Model Metallurgical Crane



起重量 (t)	Lifting Capacity	74/20						
跨度 (m)	Span	13.5	16.5	19.5	22.5	25.5	28.5	31.5
起升高度-主钩 (m)	Lifting Height-Main	20						
起升高度-副钩 (m)	Lifting Height-Aux.t	22						
工作制度	Duty	A7						
速度 Speed (m/min)								
主钩	Main	6.4						
副钩	Aux.	9.7						
小车运行	Crab Travelling	37.2						
大车运行	Trolley Travelling	67.4			77			
极限尺寸 Limt Dimension (mm)	L1	2400						
	L2	2750						
	L3	1050						
	L4	4100						
	h	1330	1328	1324	1320	1318	1318	1316
主要尺寸 Main Dimensions (mm)	H	3521	3523	3525	3531	3531	3531	3533
	H1	2910	3062	3064	3070	3070	3372	3472
	H2	950+H0			1380+H0			
	B	8828						
	K	4400						
	B1	310						
最大轮压 (KN)	Max. Wheel Loading	278	292	304	318	330	340	351
电机总功率 (KW)	Span	200			214			
荐用钢轨	Crane Rail Recommended	QU100						
电源	Power Supply	三相交流 3-Phase A.C. 50HZ 380V						

技术参数 Technical Data

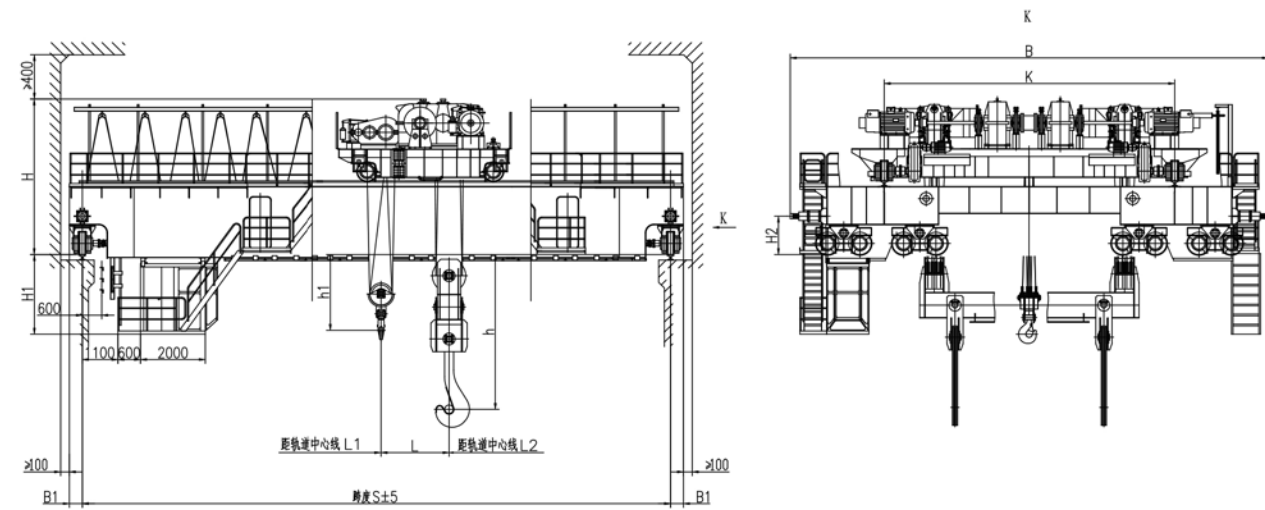
100/32T-125/32T YZ Model Casting Crane



起重量-主钩 (t)	Cap-Main	100				125			
起重量-副钩 (t)	Cap-Aux.	32				32			
跨度 (m)	Span	19.5	22.5	25.5	28.5	19.5	22.5	25.5	28.5
起升高度-主钩 (m)	Lifting Height-Main	20				20			
起升高度-副钩 (m)	Lifting Height-Aux.	22				22			
工作制度	Duty	A7				A7			
速度 Speed (m/min)									
起升-主钩	Main	7.5				7.5			
起升-副钩	Aux.	10.5				10.5			
小车运行	Crab Travelling	38				38			
大车运行	Trolley Travelling	68				79.7			
极限尺寸 Limt Dimension (mm)	L1	1600				1600			
	L2	2200				2200			
	L	2500				2450			
	h	3997				4097			
	h1	2300				2300			
主要尺寸 Main Dimensions (mm)	H	4900				5150			
	H1	2687				2687			
	B	14500				14900			
	K	9200				9600			
	B1	410				410			
	最大轮压 (KN)	Max. Wheel Loading	486	516	540	560	605	618	632
电机总功率 (KW)	Span	393				479			
荐用钢轨	Crane Rail Recommended	QU120				QU120			
电源	Power Supply	380v / 50hz / 3ph AC				380v / 50hz / 3ph AC			

技术参数 Technical Data

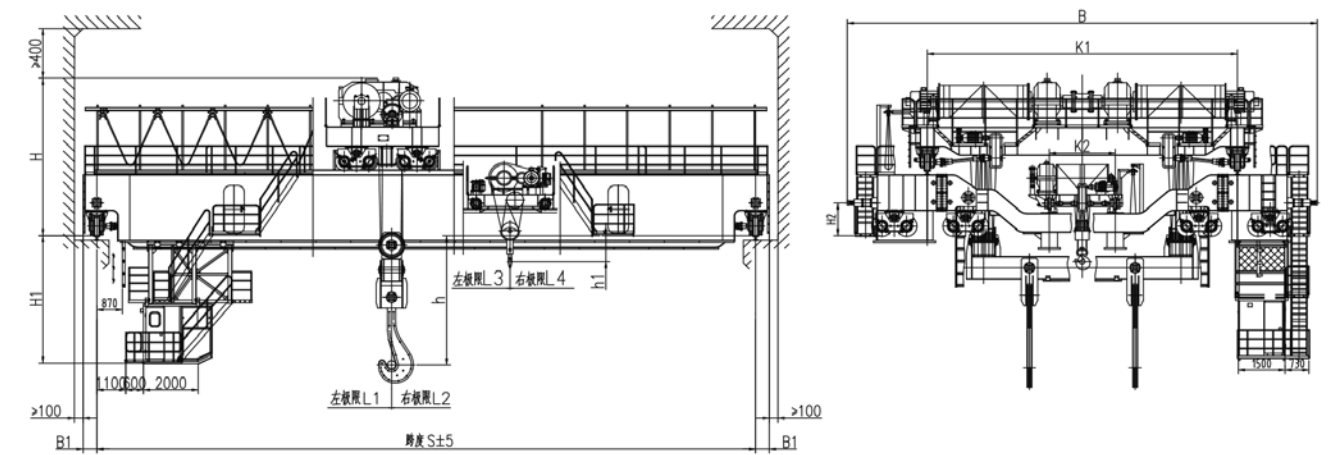
140/40T YZ Model Casting Crane



起重量-主钩 (t)	Cap-Main	140		
起重量-副钩 (t)	Cap-Aux.	40		
跨度 (m)	Span	22	25	28
起升高度-主钩 (m)	Lifting Height-Main	22		
起升高度-副钩 (m)	Lifting Height-Aux.	22		
工作制度	Duty	A7		
速度 Speed (m/min)				
起升-主钩	Main	6.84		
起升-副钩	Aux.	9.1		
小车运行	Crab Travelling	38		
大车运行	Trolley Travelling	73		
极限尺寸 Limt Dimension (mm)	L1	1500		
	L2	2000		
	L	2500		
	h	4200		
	h1	300		
主要尺寸 Main Dimensions (mm)	H	5200		
	H1	2600	200	
	B	17000		
	K	11000		
	B1	500		
最大轮压 (KN)	Max. Wheel Loading	356	366	376
电机总功率 (KW)	Span	479		
荐用钢轨	Crane Rail Recommended	QU120		
电源	Power Supply	380v / 50hz / 3ph AC		

技术参数 Technical Data

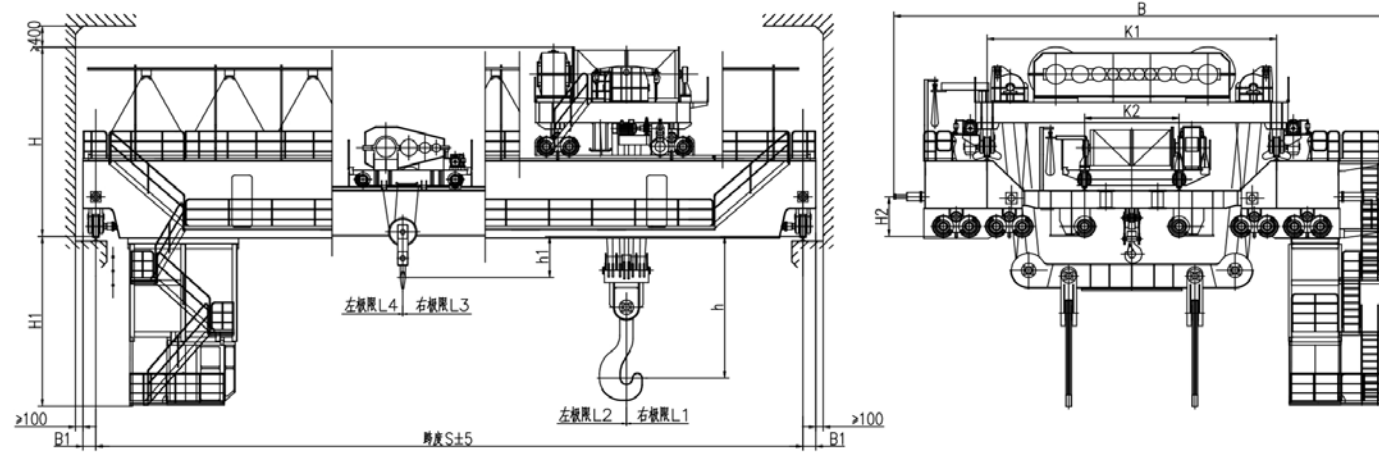
160/40T YZ Model Metallurgical Crane



起重量-主钩 (t)	Cap-Main	160		
起重量-副钩 (t)	Cap-Aux.	40		
跨度 (m)	Span	22	25	28
起升高度-主钩 (m)	Lifting Height-Main	22		
起升高度-副钩 (m)	Lifting Height-Aux.	22		
工作制度	Duty	A7		
速度 Speed (m/min)				
起升-主起升	Main	0.6-8		
起升-副起升	Aux.	9.5		
主小车运行	Crab Travelling	37		
副小车运行	Crab Travelling	38		
大车运行	Trolley Travelling	77.8		
极限尺寸 Limt Dimension (mm)	L1	2400		
	L2	1800		
	L3	1700		
	L4	1700		
	h	4871		
	h1	1886		
	H	5695		
主要尺寸 Main Dimensions (mm)	H1	4710	4812	
	B	16932		
	K1	11300		
	K2	2400		
	B1	500		
	最大轮压 (KN)	Max. Wheel Loading	400	410
荐用钢轨	Crane Rail Recommended	QU120		
电源	Power Supply	380v / 50hz / 3ph AC		

技术参数 Technical Data

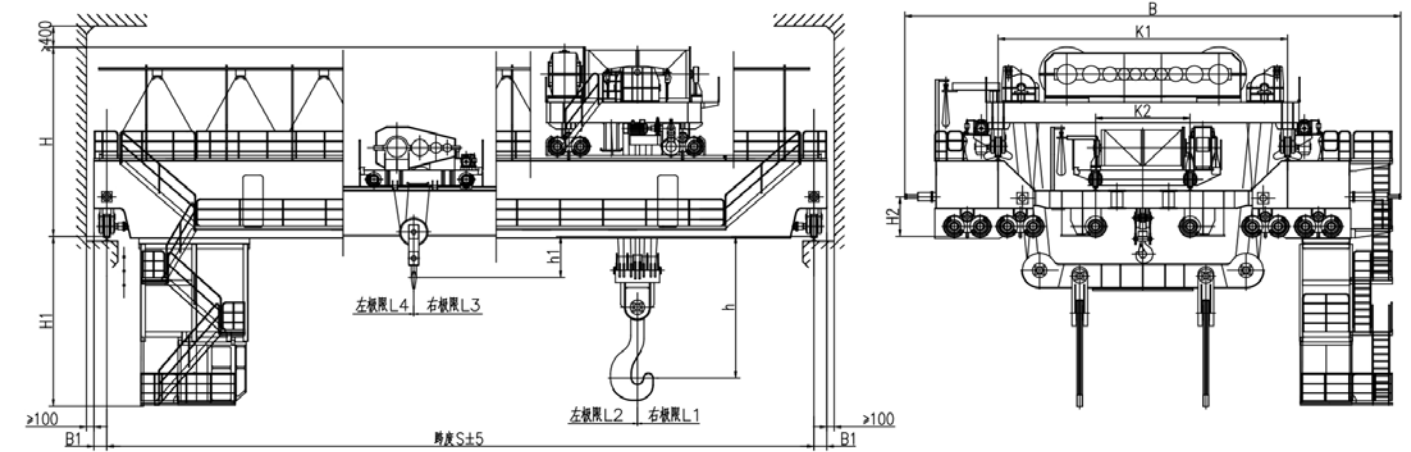
180/50T-225/65T YZ Model Metallurgical Crane



起重量-主钩 (t)	Cap-Main	180	200	225
起重量-副钩 (t)	Cap-Aux.	50	50	65
跨度 (m)	Span	28.5	28	27
起升高度-主钩 (m)	Lifting Height-Main	27	26	28
起升高度-副钩 (m)	Lifting Height-Aux.	29	26	28
工作制度	Duty	A7	A7	A7
速度 Speed (m/min)				
起升-主起升	Main	7.2	8	8
起升-副起升	Aux.	9.3	9.3	10
主小车运行	Crab Travelling	38	40	40
副小车运行	Crab Travelling	40	40	38
大车运行	Trolley Travelling	86	86	87
极限尺寸 Limt Dimension (mm)	L1	2600	2600	2600
	L2	2600	2600	3000
	L3	2350	2400	2400
	L4	1600	1600	1800
	h	6000	6200	6200
	h1	1200	1500	1500
主要尺寸 Main Dimensions (mm)	H	6500	7200	7200
	H1	5000	5500	5500
	B	16800	17800	17800
	K1	10600	10500	10500
	K2	3000	3000	3500
B1	450	500	500	
最大轮压 (KN)	Max. Wheel Loading	525	550	585
荐用钢轨	Crane Rail Recommended	QU120	QU120	QU120
电源	Power Supply	380v / 50hz / 3ph AC	380v / 50hz / 3ph AC	380v / 50hz / 3ph AC

技术参数 Technical Data

240/75T-320/80T YZ Model Metallurgical Crane



起重量-主钩 (t)	Cap-Main	240	280	320
起重量-副钩 (t)	Cap-Aux.	75	75	80
跨度 (m)	Span	24	21	24.5
起升高度-主钩 (m)	Lifting Height-Main	30	24	28
起升高度-副钩 (m)	Lifting Height-Aux.	30	26	32
工作制度	Duty	A7	A7	A7
速度 Speed (m/min)				
起升-主起升	Main	10	10	9
起升-副起升	Aux.	10.5	10.5	10
主小车运行	Crab Travelling	38	36	36
副小车运行	Crab Travelling	40	39	39
大车运行	Trolley Travelling	87	76	63
极限尺寸 Limt Dimension (mm)	L1	3200	3200	3300
	L2	3600	3600	3600
	L3	2500	2500	2500
	L4	2000	2000	2000
	h	6200	6200	6000
	h1	1800	1800	1800
主要尺寸 Main Dimensions (mm)	H	7500	7600	7800
	H1	5000	5000	5000
	B	17800	19200	19500
	K1	10500	12000	12500
	K2	3500	3800	5000
B1	500	500	500	
最大轮压 (KN)	Max. Wheel Loading	625	595	650
荐用钢轨	Crane Rail Recommended	QU120	QU120	QU120
电源	Power Supply	380v / 50hz / 3ph AC	380v / 50hz / 3ph AC	380v / 50hz / 3ph AC