



UP TO NOW, WE EXPORT MORE THAN **50** COUNTRIES

A photograph of a yellow jib crane in a factory setting. The crane has a horizontal beam with a hook and a vertical column. The beam is labeled "3200 KG". The background shows a large industrial space with windows and other machinery.

Catalogue  
**Jib Crane**

**HEHAN ZOKE CRANE CO., LTD**

EMAIL: [sales@zokecrane.com](mailto:sales@zokecrane.com)

TEL: +86 373-3872-232

FAX: +86 373-5259-699

WEB: [www.zoke-crane.com](http://www.zoke-crane.com)

[www.zokecrane.com](http://www.zokecrane.com)

ADDRESS: Changnao Industrial District, Xinxiang, Henan China

**HEHAN ZOKE CRANE CO., LTD**

[www.zokecrane.com](http://www.zokecrane.com)

# ABOUT ZokeCRANE

## Quality Is Our Top Priority

Zoke CRANE is ISO9001-2008 registered. This means we actively monitor every part of our business, conducting monthly evaluations that cover everything from customer service to delivery times.

## Technical Innovation Is Our Development Concept

Zoke CRANE has been constantly carrying out technological innovation for many years, communicating and cooperating with internationally renowned enterprises, actively introducing high-tech, and pushing the Zoke brand to the international market. Develop new products to meet the market demand for high-end products, market-oriented, based on integrity, take the road of technological innovation.

## Service Is The Basis Of Our Survival

It is our aim to improve the production efficiency of customers. Customized and OEM accepted We provide professional consultant, sales, design, production, installation and commissioning, maintenance for customers worldwide.



# CONTENT



BZK型定柱式旋臂起重机.....01

BZK Model Pillar Mounted Jib Crane

简要介绍 A Brief Introduction  
参数表 Parameters Table



BXK型墙壁式旋臂起重机.....02

BXK Model Wall Mounted Jib Crane

简要介绍 A Brief Introduction  
参数表 Parameters Table



BZL型定柱式旋臂起重机.....03

BZL Model Column Mounted Jib Crane

简要介绍 A Brief Introduction  
参数表 Parameters Table



BXL型墙壁式旋臂起重机.....04

BXL Model Wall Mounted Jib Crane

简要介绍 A Brief Introduction  
参数表 Parameters Table



BZ型定柱式旋臂起重机 ..... 05

BZ Model Column Mounted Jib Crane

简要介绍 A Brief Introduction  
参数表 Parameters Table



BX型墙壁式旋臂起重机 ..... 06

BX Model Wall Mounted Jib Crane

简要介绍 A Brief Introduction  
参数表 Parameters Table

立柱式悬臂起重机的安装 .....07  
Mountings For Pillar Jib Cranes

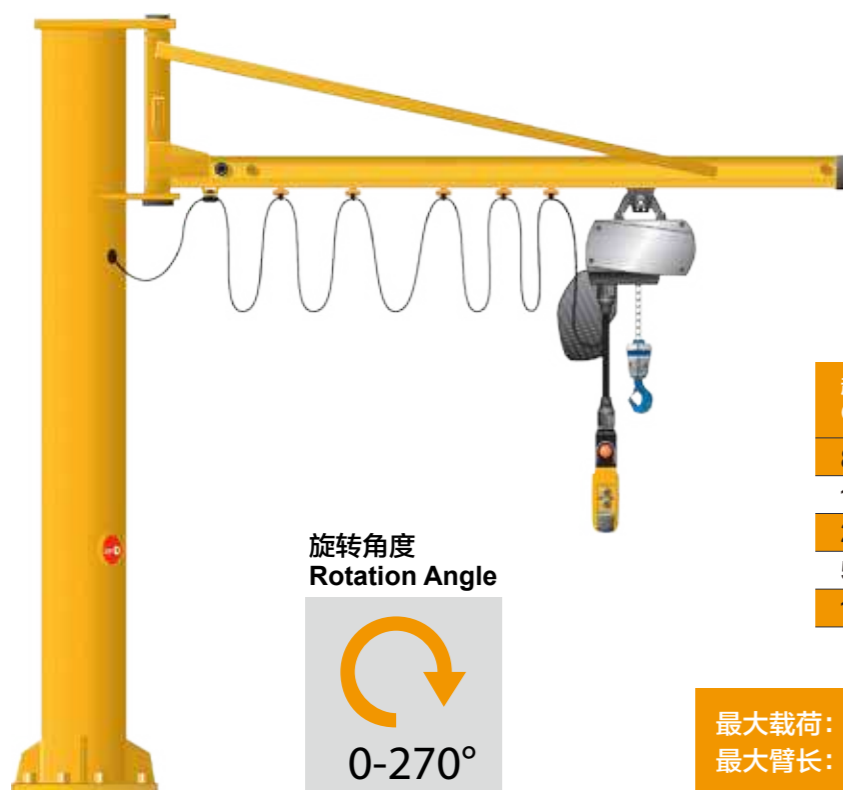
墙壁式旋臂起重机的安装 .....08  
Mountings For Wall Jib Cranes

立柱式悬臂起重机案例展示 ..... 09  
Cases For Pillar Jib Cranes

墙壁式旋臂起重机案例展示 .....10  
Cases For Wall Jib Cranes

## BZK型定柱式旋臂起重机

BZK Model Pillar Mounted Jib Crane



旋转角度  
Rotation Angle



0-270°

起重量 Capacity	臂长 Arm length			
	3m	5m	6m	7m
80kg				
125kg				
250kg				
500kg				
1000kg				

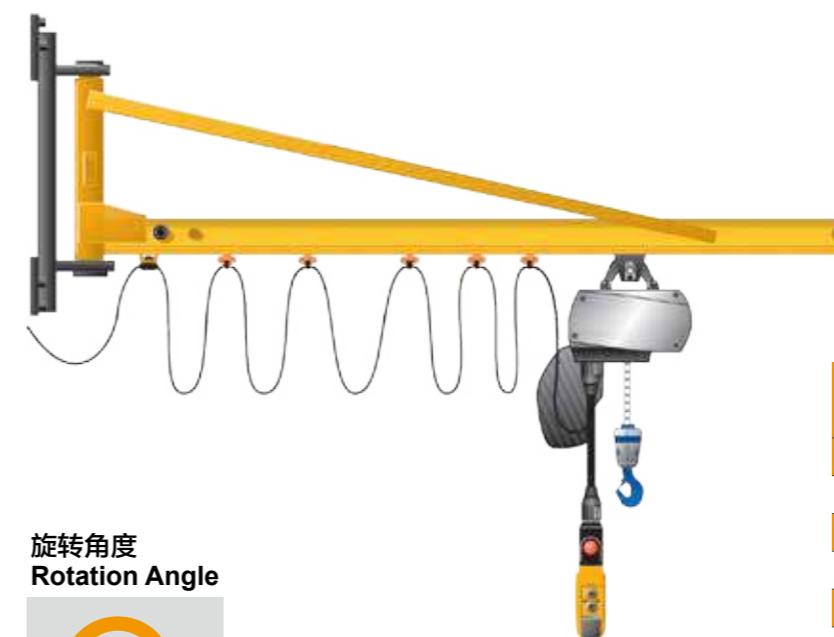
最大载荷: 1吨 Max Lifting Weight: 1000kg  
最大臂长: 7米 Max Arm Length: 7m

一般采用环链电动葫芦  
Generally Use Chain Hoist

- 轻量化设计 (DIN 15018 H2/B2)  
Lightweight design (DIN 15018 H2/B2)
- 旋臂为坚固的柔性轨道或刚性轨道  
The cantilever is a solid flexible track or a rigid track with light weight and high strength
- 可安装在较薄弱的地基上  
Can be installed on weak foundations and installed on existing ground with chemical bolts, (minimum thickness of ground concrete is 200mm)
- 小车可用手不费力地推动  
Cantilever movement and cantilever rotation are manual
- 立柱可采用方管或圆管  
The column can use square tube or round tube

## BXK型墙壁式旋臂起重机

BXK Model Wall Mounted Jib Crane



旋转角度  
Rotation Angle



0-270°

起重量 Capacity	臂长 Arm length			
	3m	5m	6m	7m
80kg				
125kg				
250kg				
500kg				
1000kg				

最大载荷: 1吨 Max Lifting Weight: 1000kg  
最大臂长: 7米 Max Arm Length: 7m

一般采用环链电动葫芦  
Generally Use Chain Hoist

- 轻量化设计 (DIN 15018 H2/B2)  
Lightweight design (DIN 15018 H2/B2)
- 旋臂为坚固的柔性轨道或刚性轨道  
The cantilever is a solid flexible track or a rigid track with light weight and high strength
- 可安装轻型结构厂房内  
Can be installed on weak foundations and installed on existing ground with chemical bolts (minimum thickness of ground concrete is 200mm)
- 小车可用手不费力地推动  
Cantilever movement and cantilever rotation are manual
- 自重相对较轻  
The column can use square tube or round tube

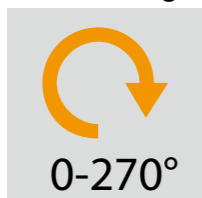


## BZL型定柱式旋臂起重机

BZL Model Column Mounted Jib Crane



旋转角度  
Rotation Angle



起重量 Capacity	臂长 Arm length		
	4m	6m	7m
125kg			
250kg			
500kg			
1000kg			
2000kg			

最大载荷: 2吨 Max Lifting Weight: 2000kg  
最大臂长: 7米 Max Arm Length: 7m

一般采用环链电动葫芦  
Generally Use Chain Hoist

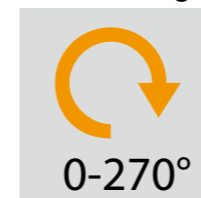
- 轻量化设计 (DIN 15018 H2/B2)  
Lightweight design (DIN 15018 H2/B2)
- 坚固的钢结构型钢或箱梁旋臂有效地提高了起升高度  
The cantilever is a solid steel structural steel or box beam cantilever which effectively improves the lifting height
- 旋臂旋转流畅, 易于手动旋转  
The foundation can be safely anchored with chemical bolts
- 基础可采用化学螺栓安全锚固  
Cantilever rotates smoothly, easy to rotate manually
- 通过缓冲器来调节小车行程  
Adjust the stroke of the trolley by the buffer

## BXL型墙壁式旋臂起重机

BXL Model Wall Mounted Jib Crane



旋转角度  
Rotation Angle



起重量 Capacity	臂长 Arm length		
	4m	6m	7m
125kg			
250kg			
500kg			
1000kg			
2000kg			

最大载荷: 2吨 Max Lifting Weight: 2000kg  
最大臂长: 7米 Max Arm Length: 7m

一般采用环链电动葫芦  
Generally Use Chain Hoist

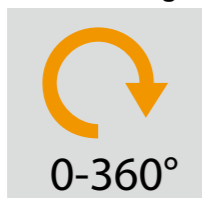
- 轻量化设计 (DIN 15018 H2/B2)  
Lightweight design (DIN 15018 H2/B2)
- 坚固的钢结构型钢或箱梁旋臂有效地提高了起升高度  
The cantilever is a solid steel structural steel or box beam cantilever which effectively improves the lifting height
- 旋臂旋转流畅, 易于手动旋转  
Standard wall bracket installation
- 标准墙面支架安装  
Cantilever rotates smoothly, easy to rotate manually
- 通过缓冲器来调节小车行程  
Adjust the stroke of the trolley by the buffer

## BZ型定柱式旋臂起重机

BZ Model Column Mounted Jib Crane



旋转角度  
Rotation Angle



起重量 Capacity	臂长 Arm length				
	5m	7m	8m	9m	10m
1000kg	[Bar chart showing capacity vs arm length]				
1600kg	[Bar chart showing capacity vs arm length]				
2000kg	[Bar chart showing capacity vs arm length]				
2500kg	[Bar chart showing capacity vs arm length]				
3200kg	[Bar chart showing capacity vs arm length]				
4000kg	[Bar chart showing capacity vs arm length]				
5000kg	[Bar chart showing capacity vs arm length]				
10000kg	[Bar chart showing capacity vs arm length]				

最大载荷: 10吨 Max Lifting Weight: 10T  
最大臂长: 10米 Max Arm Length: 10m

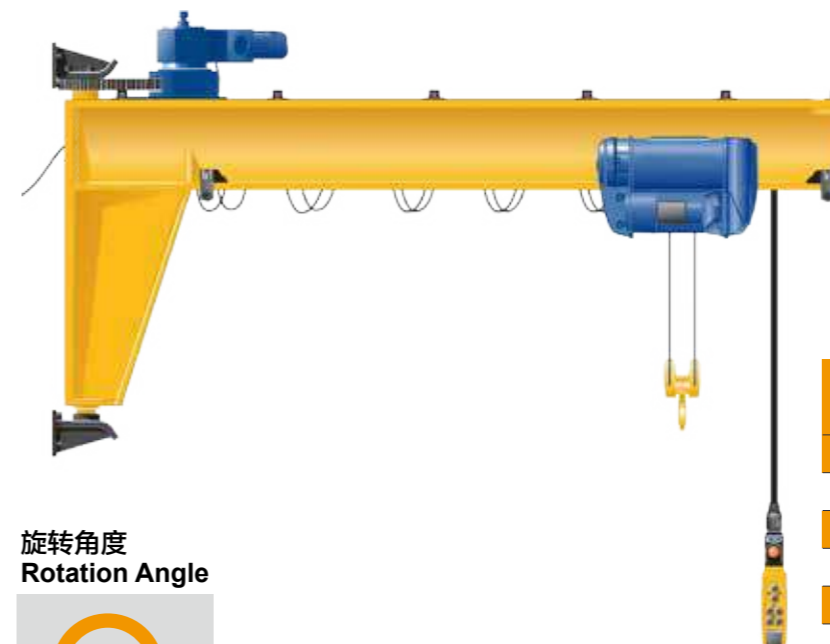
一般采用钢丝绳电动葫芦

Generally Use Wire Rope Electric Hoist

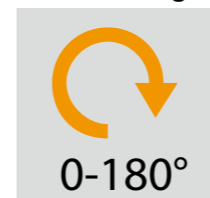
- 轻量化设计 (DIN 15018 H2/B2)  
Lightweight design (DIN 15018 H2/B2)
- 坚固的钢结构型钢或箱梁旋臂有效地提高了起升高度  
The cantilever is a solid steel structural steel or box beam cantilever which effectively improves the lifting height
- 旋臂采用马达驱动电动旋转  
Cantilever adopts motor to drive electric rotation
- 基础采用混凝土预埋  
The foundation is embedded with concrete
- 通过缓冲器来调节小车行程  
Adjust the stroke of the trolley by the buffer
- 可选移动式控制  
Optional wireless remote control
- 可选电动行走小车  
Optional electric walking trolley

## BX型墙壁式旋臂起重机

BX Model Wall Mounted Jib Crane



旋转角度  
Rotation Angle



起重量 Capacity	臂长 Arm length		
	4m	6m	7m
125kg	[Bar chart showing capacity vs arm length]		
250kg	[Bar chart showing capacity vs arm length]		
500kg	[Bar chart showing capacity vs arm length]		
1000kg	[Bar chart showing capacity vs arm length]		
2000kg	[Bar chart showing capacity vs arm length]		

最大载荷: 5吨 Max Lifting Weight: 5000kg  
最大臂长: 10米 Max Arm Length: 10m

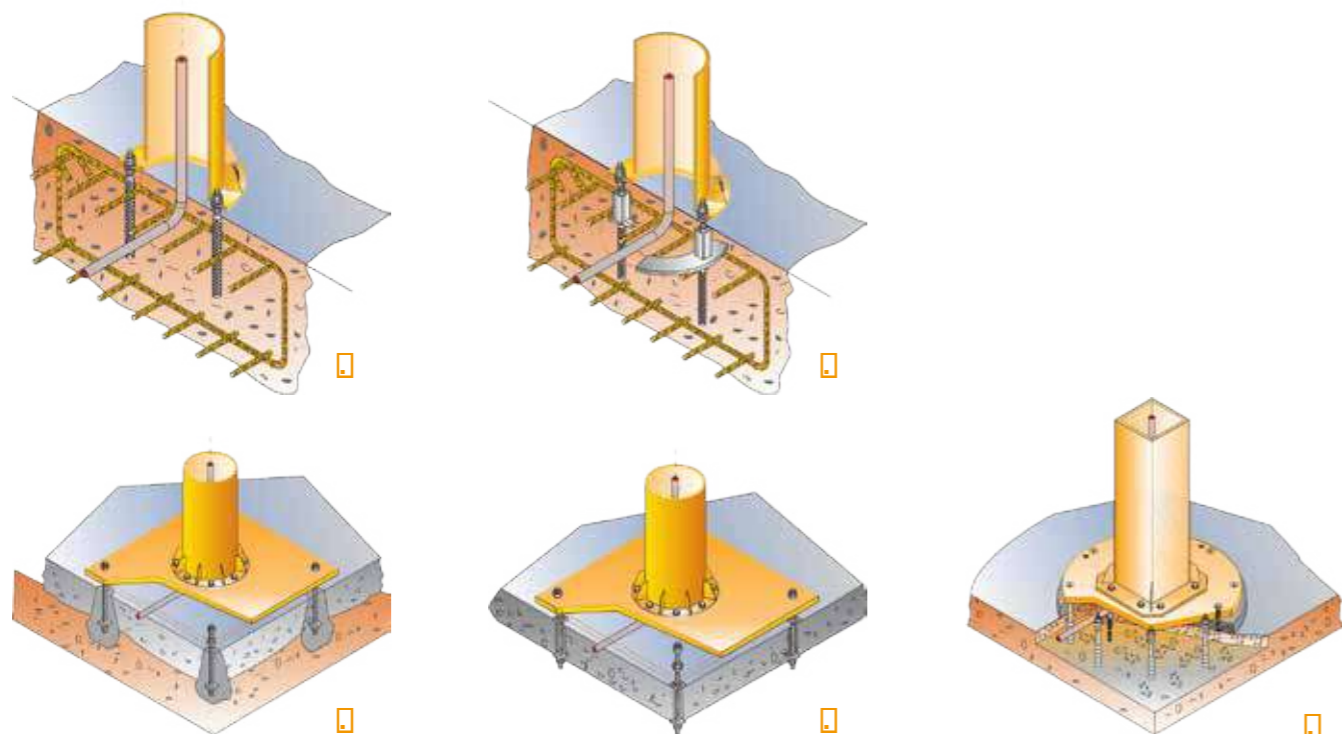
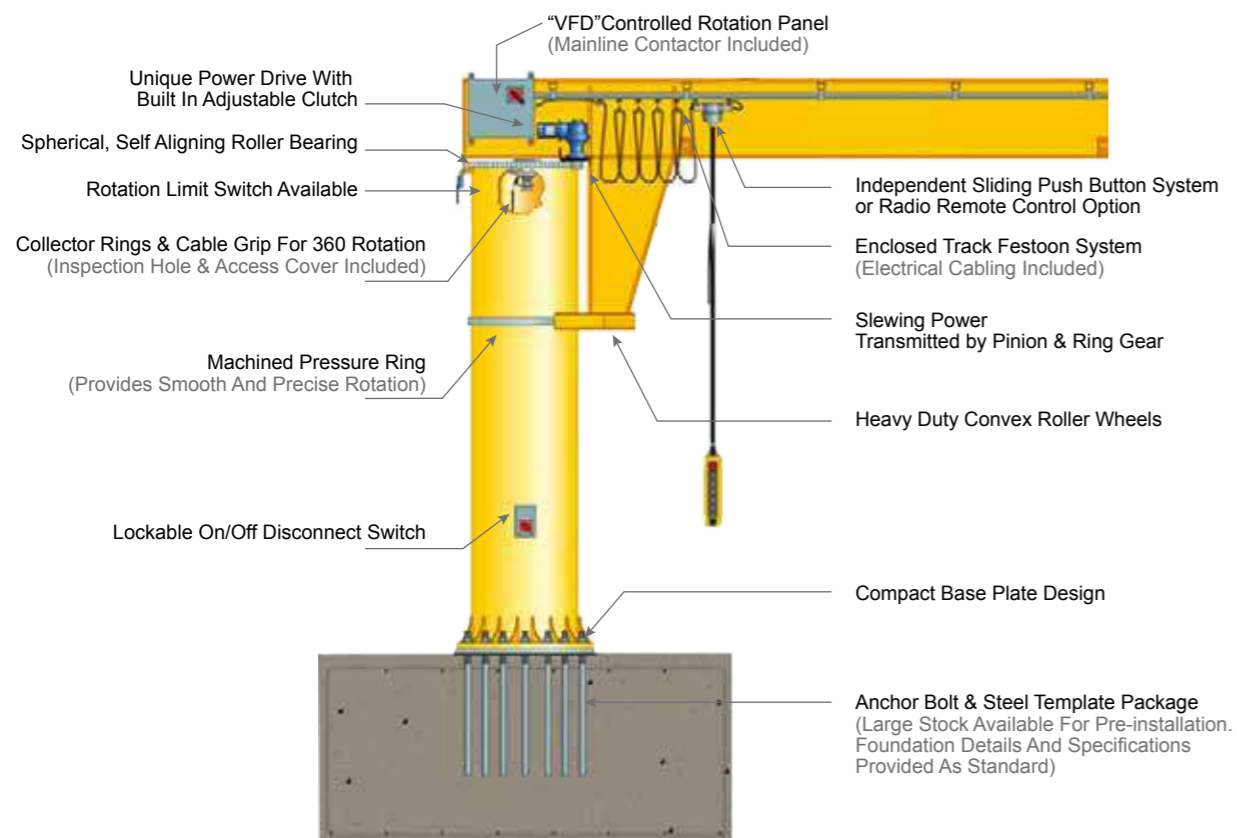
一般采用钢丝绳电动葫芦

Generally Use Wire Rope Electric Hoist

- 轻量化设计 (DIN 15018 H2/B2)  
Lightweight design (DIN 15018 H2/B2)
- 坚固的钢结构型钢或箱梁旋臂有效地提高了起升高度  
The cantilever is a solid steel structural steel or box beam cantilever which effectively improves the lifting height
- 旋臂采用马达驱动电动旋转  
Cantilever adopts motor to drive electric rotation
- 标准墙面支架安装  
Standard wall bracket installation
- 通过缓冲器来调节小车行程  
Adjust the stroke of the trolley by the buffer
- 可选移动式控制  
Optional wireless remote control
- 可选电动行走小车  
Optional electric walking trolley

## 立柱式悬臂起重机的安装

### Mountings For Pillar Jib Cranes



## 墙壁式旋臂起重机的安装

### Mountings For Wall Jib Cranes

#### On Steel Supports Using Wall Bracket/mounting

The simplest type of mounting of wall jib cranes is the bolting onto existing steel supports. For this, the supports must be of structurally sufficient size (they may need to be reinforced) and exhibit a sufficiently wide connection surface. For types LW and LWX this is provided through the wall bracket and for type VW through direct bolting on of both wall mountings.

#### On Reinforced Concrete Supports Using Brackets

On structurally suitable, square or rectangular reinforced concrete supports which can be freely enveloped, wall jib cranes can be mounted with brackets. The required tension forces can be applied through threaded rods to hold the crane securely to the support at the desired height. The support must have the required minimum width for this.

#### On Reinforced Concrete Walls Or Supports Using Weld-on Plates

Concrete walls or supports can be prepared for the mounting of wall jib cranes on weld-on plates through suitable mounting plates with grouted anchoring as a substructure. When performing this construction work, care should be taken that the mounting plates lie exactly flush and exhibit plumb-vertical connection surfaces. The weld-on plates are welded to the substructure. The wall bracket or the wall mountings of the crane are bolted onto the weld-on plates.

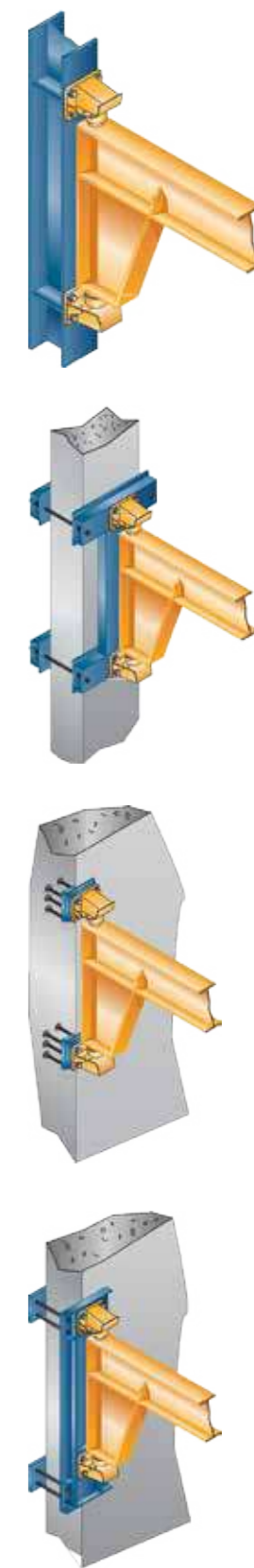
#### On Steel Supports Using Weld-on Plates

Weld-on plates can be welded directly onto steel supports or load-bearing steel structures providing holes will not or cannot be drilled through them. (not pictured)

#### On Reinforced Walls Using Wall Brackets And Through-wall Anchors

For mounting on reinforced concrete walls of adequate load-bearing capacity, wall brackets are used.

For the types LW and LWX, the wall bracket is included in the scopes of delivery. For the type VW, it is available as optional equipment. The wall brackets are mounted on the wall with ties and counterplates.





### 立柱式悬臂起重机案例展示

Cases For Pillar Jib Cranes



### 墙壁式旋臂起重机案例展示

Cases For Wall Jib Cranes

